

THIS DRAWING IS UNPUBLISHED.

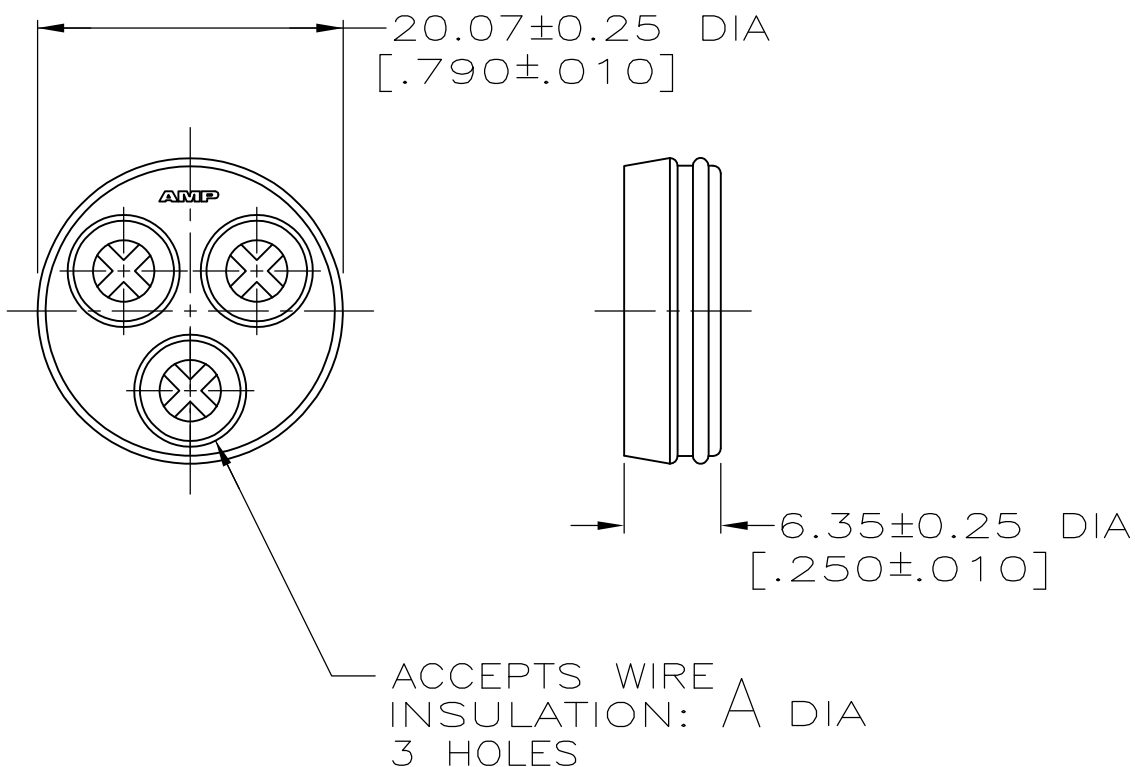
RELEASED FOR PUBLICATION

REVISIONS

© COPYRIGHT - By -

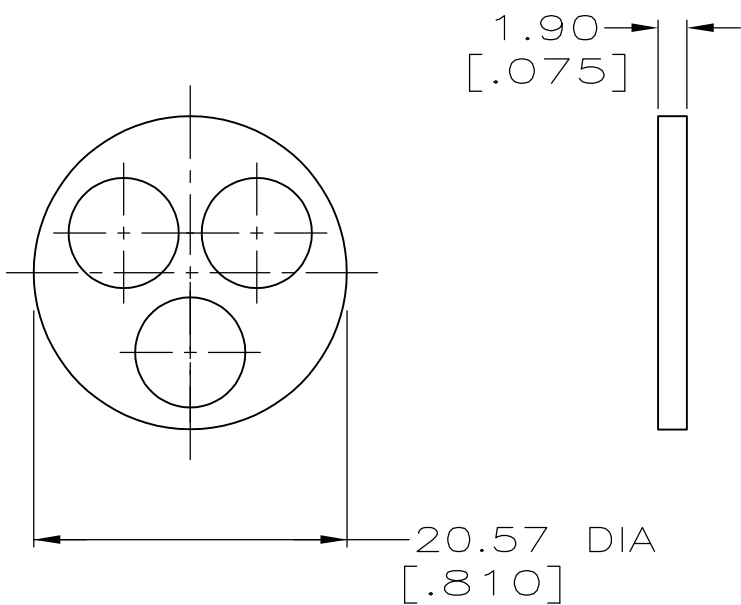
ALL RIGHTS RESERVED.

P	LTR	DESCRIPTION	DATE	DWN	APVD
	C2	REVISED PER ECO-16-004800	08SEP2016	NK	MZ



1 OBSOLETE PARTS: OBSOLETE CIS STREAMLINING PER D.RENAUD/D.SINISI

SEAL MATERIAL: SILICON, RED IRON OXIDE
QTY=1



PRESSURE PLATE MATERIAL: NYLON, BLACK
QTY=1

1	OBSOLETE	INDIVIDUAL	2.41-5.21 [.095-.205]	213899-5
	OBSOLETE	-	-	213899-4
	OBSOLETE	-	-	213899-3
	OBSOLETE	BULK	3.81-6.73 [.150-.265]	213899-2
		INDIVIDUAL	3.81-6.73 [.150-.265]	213899-1
		PACKAGING	A	PART NUMBER

THIS DRAWING IS A CONTROLLED DOCUMENT.		DWN D.HARDY 07/12/95	STE TE Connectivity		
DIMENSIONS: mm [INCHES]		CHK R.STONE 07/13/95			
TOLERANCES UNLESS OTHERWISE SPECIFIED:		APVD A.FRANTUM 07/13/95	NAME SEAL ASSEMBLY KIT, SERIES 5, 17-3, CPC		
0 PLC ± -		PRODUCT SPEC 108-1579	SIZE A3		
1 PLC ± -		APPLICATION SPEC	CAGE CODE 00779	DRAWING NO C-213899	RESTRICTED TO -
2 PLC ± 0.13 [.005]		WEIGHT	SCALE 2:1		
3 PLC ± -		CUSTOMER DRAWING	SHEET 1 OF 1		
4 PLC ± -			REV C2		
ANGLES ± -					
MATERIAL SEE CALLOUTS		FINISH -			