

2098633-1 ✓ ACTIVE

Generation Y Connector System

TE Internal #: 2098633-1

Automotive Connector Caps & Covers, Shield Assembly, Black,
Nylon GF, 40 Position, Generation Y Connector System

[View on TE.com >](#)



Connectors > Automotive Connectors > Automotive Connector Accessories > Automotive Connector Caps & Covers



Protection & Strain Relief Accessory Type: **Shield Assembly**

Strain Relief: **With**

Primary Product Color: **Black**

Primary Product Material: **Nylon GF**

Number of Positions: **40**

Features

Product Type Features

Protection & Strain Relief Accessory Type	Shield Assembly
---	-----------------

Configuration Features

Compatible With Connector Code	A
Number of Positions	40

Body Features

Primary Product Color	Black
Primary Product Material	Nylon GF

Mechanical Attachment

Strain Relief	With
---------------	------

Packaging Features

Packaging Quantity	1
Packaging Method	Package

Other

Serviceable	No
-------------	----



Product Compliance

[For compliance documentation, visit the product page on TE.com>](#)

EU RoHS Directive 2011/65/EU	Compliant
EU ELV Directive 2000/53/EC	Compliant
China RoHS 2 Directive MIIT Order No 32, 2016	No Restricted Materials Above Threshold
EU REACH Regulation (EC) No. 1907/2006	Current ECHA Candidate List: JAN 2024 (240) Candidate List Declared Against: JAN 2024 (240) Does not contain REACH SVHC
Halogen Content	Low Halogen - Br, Cl, F, I < 900 ppm per homogenous material. Also BFR/CFR/PVC Free
Solder Process Capability	Not applicable for solder process capability

Product Compliance Disclaimer

This information is provided based on reasonable inquiry of our suppliers and represents our current actual knowledge based on the information they provided. This information is subject to change. The part numbers that TE has identified as EU RoHS compliant have a maximum concentration of 0.1% by weight in homogenous materials for lead, hexavalent chromium, mercury, PBB, PBDE, DBP, BBP, DEHP, DIBP, and 0.01% for cadmium, or qualify for an exemption to these limits as defined in the Annexes of Directive 2011/65/EU (RoHS2). Finished electrical and electronic equipment products will be CE marked as required by Directive 2011/65/EU. Components may not be CE marked. Additionally, the part numbers that TE has identified as EU ELV compliant have a maximum concentration of 0.1% by weight in homogenous materials for lead, hexavalent chromium, and mercury, and 0.01% for cadmium, or qualify for an exemption to these limits as defined in the Annexes of Directive 2000/53/EC (ELV). Regarding the REACH Regulation, the information TE provides on SVHC in articles for this part number is based on the latest European Chemicals Agency (ECHA) 'Guidance on requirements for substances in articles' posted at this URL: <https://echa.europa.eu/guidance-documents/guidance-on-reach>

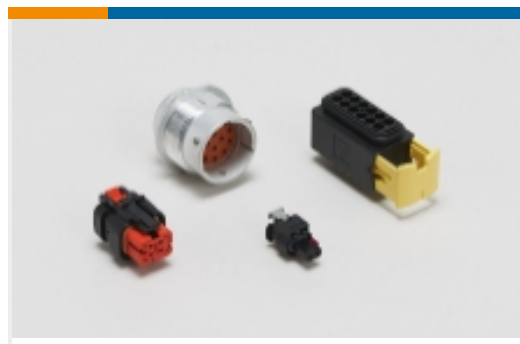
Compatible Parts



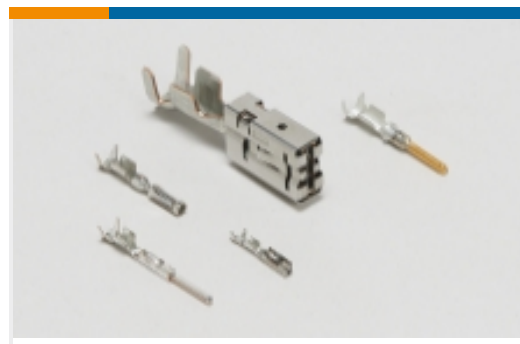
Also in the Series | [Generation Y Connector System](#)



Automotive Connector Caps & Covers (23)



Automotive Housings(189)



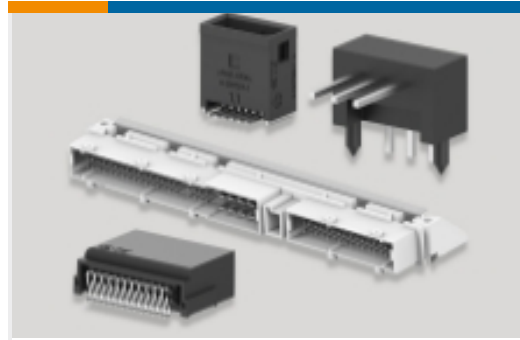
Automotive Terminals(48)



Connector Seals & Cavity Plugs(6)

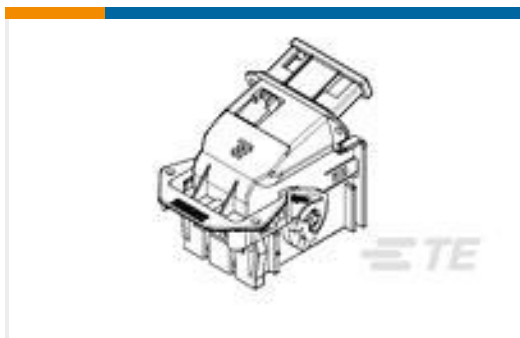


Insertion & Extraction Tools(1)



PCB Headers & Receptacles(27)

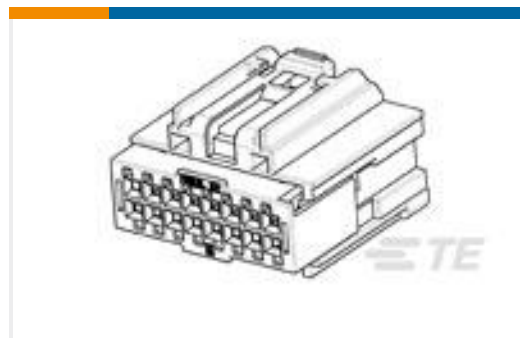
Customers Also Bought



TE Part # 1924346-1
Shield Assy, 52P Generation Y, LAC, AE



TE Part # 1-1438608-1
MQS, CONNECTOR HOUSING



TE Part # 1456867-3
PLG ASSY, 2X8, UNSEALED, 0.64, Gen



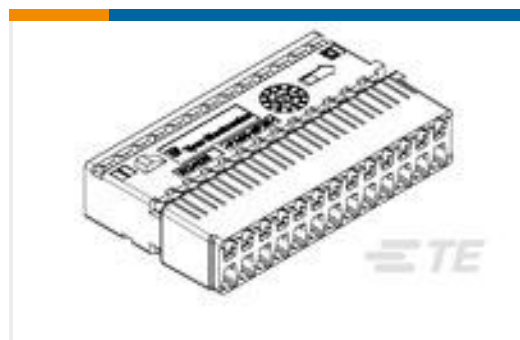
TE Part # 2-1355132-1
COVER 94POS



TE Part # 2098660-1
32P Shield, GY HandMate



TE Part # 2098627-2
22P UNSEALED HYBRID PLUG ASSEM



TE Part # 1924136-1
Carrier, 26P Generation Y, 52P Conn



TE Part # 2098634-2
Carrier, 20P, GY LAC, Black



TE Part # 2208798-6
6POS, 0.64 GENER. Y, REC HSG, ASSY

Documents



Product Drawings

[40P Shield Assy, GY LAC](#)

English

CAD Files

[3D PDF](#)

3D

Customer View Model

[ENG_CVM_CVM_2098633-1_B.2d_dxf.zip](#)

English

Customer View Model

[ENG_CVM_CVM_2098633-1_B.3d_igs.zip](#)

English

Customer View Model

[ENG_CVM_CVM_2098633-1_B.3d_stp.zip](#)

English

By downloading the CAD file I accept and agree to the [Terms and Conditions](#) of use.

Instruction Sheets

[Instruction Sheet \(U.S.\)](#)

English