

MACX MCR-EX-SL-RPSSI-I - Power/input isolating amplifier



2865340

<https://www.phoenixcontact.com/us/products/2865340>

Please be informed that the data shown in this PDF document is generated from our online catalog. Please find the complete data in the user documentation. Our general terms of use for downloads are valid.



Ex i repeater power supply and input signal conditioner, HART-transparent. Transmits supplied or active 0/4 ... 20 mA signals from the Ex area to a load (active or passive) in the safe area. 3-way electrical isolation, SIL 2 in accordance with IEC 61508, with screw connection

Your advantages

- 0/4 mA ... 20 mA input, intrinsically safe, [Ex ia], powered and not powered
- Measuring transducer supply voltage > 16 V
- 0/4 mA ... 20 mA output, active up to 1000 Ω load or passive
- Bidirectional HART signal transmission
- Error indication according to NAMUR NE 43
- SIL 2 according to IEC/EN 61508
- Installation in zone 2, protection type "ec" (EN 60079-7) permitted
- 3-way electrical isolation
- Power supply possible via DIN rail connector
- Plug-in connection terminal blocks, screw connection technology, with integrated sockets for HART communicators
- Housing width: 12.5 mm
- Minimal power dissipation
- High transmission accuracy

Commercial data

Item number	2865340
Packing unit	1 pc
Minimum order quantity	1 pc
Sales key	C430
Product key	CK3111
Catalog page	Page 142 (C-5-2019)
GTIN	4046356160353
Weight per piece (including packing)	182.5 g
Weight per piece (excluding packing)	160 g
Customs tariff number	85437090
Country of origin	DE

MACX MCR-EX-SL-RPSSI-I - Power/input isolating amplifier



2865340

<https://www.phoenixcontact.com/us/products/2865340>

Technical data

Product properties

Product type	Repeater power supplies
Product family	MACX Analog
Application	Analog IN
No. of channels	1
Type	Ex i signal conditioners with SIL functional safety

Electrical properties

Electrical isolation	3-way isolation
Electrical isolation between input and output	yes
Maximum power dissipation for nominal condition	0.95 W (20 mA, 250 Ω)
Signal transmission behavior	In = Out
Step response (10-90%)	< 200 μs (for jump 4 mA ... 20 mA, load 600 Ω) < 600 μs (for jump 0 mA ... 20 mA, load 600 Ω)
Maximum temperature coefficient	< 0.01 %/K
Temperature coefficient, typical	< 0.004 %/K
Maximum transmission error	< 0.1 % (of final value)
Transmission error, typical	< 0.05 % (of final value)
Reverse polarity protection	yes

Electrical isolation

Test voltage	2.5 kV AC (50 Hz, 60 s)
Overvoltage category	II
Pollution degree	2

Electrical isolation Input/output/power supply IEC/EN 61010-1

Standards/regulations	IEC/EN 61010-1
Rated insulation voltage	300 V _{rms}
Insulation	Safe isolation

Electrical isolation Input/output IEC/EN 60079-11

Standards/regulations	IEC/EN 60079-11
Rated insulation voltage	265 V _{rms}

Electrical isolation Input/power supply IEC/EN 60079-11

Standards/regulations	IEC/EN 60079-11
Rated insulation voltage	265 V _{rms}

Electrical isolation Output/supply IEC/EN 60079-7

Standards/regulations	IEC/EN 60079-7
Rated insulation voltage	265 V _{rms}

Supply

Designation	Repeater power supply operation
-------------	---------------------------------

MACX MCR-EX-SL-RPSSI-I - Power/input isolating amplifier



2865340

<https://www.phoenixcontact.com/us/products/2865340>

Nominal supply voltage	24 V DC -20 % ... +25 %
Supply voltage range	19.2 V DC ... 30 V DC
Max. current consumption	< 76 mA (24 V DC / 20 mA / 1000 Ω)
	< 55 mA (24 V DC / 20 mA / 250 Ω)
Power dissipation	< 1.1 W (24 V DC / 20 mA / 1000 Ω)
	< 0.95 W (24 V DC / 20 mA / 250 Ω)
	< 1.2 W (24 V DC / 20 mA / 0 Ω)
Power consumption	< 1.8 W (20 mA / 1000 Ω)
	< 1.3 W (20 mA / 250 Ω)

Supply

Designation	Signal conditioner operation
Nominal supply voltage	24 V DC -20 % ... +25 %
Supply voltage range	19.2 V DC ... 30 V DC
Max. current consumption	< 44 mA (24 V DC / 20 mA / 1000 Ω)
	< 27 mA (24 V DC / 20 mA / 250 Ω)
Power dissipation	< 0.75 W (24 V DC / 20 mA / 1000 Ω)
	< 0.65 W (24 V DC / 20 mA / 250 Ω)
	< 0.95 W (24 V DC / 20 mA / 0 Ω)

Input data

Signal: Repeater power supply operation

Description of the input	Active current input, intrinsically safe
Number of inputs	1
Input signal	Current
Current input signal	4 mA ... 20 mA
Current limitation	25 mA
Transmitter supply voltage	> 16 V (20 mA)
	> 15.3 V (22.5 mA)
Polarization and surge protection	Yes
Underload/overload signal range	0 mA ... 24 mA (Extended transmission range for diagnostics)

Signal: Signal conditioner operation

Description of the input	Passive current input, intrinsically safe
Current input signal	0 mA ... 20 mA
	4 mA ... 20 mA
Voltage drop	< 3.5 V (in input isolating amplifier operation)
Underload/overload signal range	0 mA ... 24 mA (Extended transmission range for diagnostics)

Output data

Signal: Repeater power supply operation

Output description	Current output (active and passive)
Number of outputs	1
Current output signal	4 mA ... 20 mA (active)

MACX MCR-EX-SL-RPSSI-I - Power/input isolating amplifier



2865340

<https://www.phoenixcontact.com/us/products/2865340>

	4 mA ... 20 mA (14 ... 26 V ext. source voltage)
Load/output load current output	< 1000 Ω (20 mA)
	< 825 Ω (24 mA)
Output ripple	< 20 mV _{rms}
Output behavior in the event of an error	0 mA (Cable break in the input)
	≥ 22.5 mA (Cable short-circuit in the input)
Underload/overload signal range	0 mA ... 24 mA (Extended transmission range for diagnostics)

Signal: Signal conditioner operation

Output description	Current output (active and passive)
Current output signal	0 mA ... 20 mA (active)
	4 mA ... 20 mA (active)
	0 mA ... 20 mA (14 ... 26 V ext. source voltage)
	4 mA ... 20 mA (14 ... 26 V ext. source voltage)
Load/output load current output	< 1000 Ω (20 mA)
	< 825 Ω (24 mA)
Output ripple	< 20 mV _{rms}
Output behavior in the event of an error	0 mA (Cable break in the input)
	0 mA (Cable short-circuit in the input)
Underload/overload signal range	0 mA ... 24 mA (Extended transmission range for diagnostics)

Connection data

Connection method	Screw connection
Stripping length	7 mm
Screw thread	M3
Conductor cross section rigid	0.2 mm ² ... 2.5 mm ²
Conductor cross section flexible	0.2 mm ² ... 2.5 mm ²
Conductor cross section AWG	24 ... 14
Tightening torque	0.5 Nm ... 0.6 Nm

Test socket

Max. diameter	2 mm
---------------	------

Ex data

Ex installation (EPL)	Gc
	Div. 2
Ex i circuits (EPL)	Ga
	Da
	Ma
	Div. 1

Safety data: Repeater power supply operation

Max. output voltage U _o	25.2 V
Max. output current I _o	93 mA
Max. output power P _o	587 mW

MACX MCR-EX-SL-RPSSI-I - Power/input isolating amplifier



2865340

<https://www.phoenixcontact.com/us/products/2865340>

Safety-related maximum voltage U_m	253 V AC
	125 V DC
I (simple circuit): Max. external inductivity L_o / Max. external capacitance C_o	40 mH / 4.8 μ F
IIA (simple circuit): Max. external inductivity L_o / Max. external capacitance C_o	26 mH / 2.9 μ F
IIB (simple circuit): Max. external inductivity L_o / Max. external capacitance C_o	14 mH / 820 nF
IIC (simple circuit): Max. external inductivity L_o / Max. external capacitance C_o	3 mH / 107 nF
IIA (mixed circuit): Max. external inductivity L_o / Max. external capacitance C_o	26 mH / 470 nF, 20 mH / 570 nF, 1 mH / 630 nF, 0.5 mH / 720 nF, 0.1 mH / 1.1 μ F, 0.005 mH / 2.9 μ F
IIB/III (mixed circuit): Max. external inductivity L_o / Max. external capacitance C_o	16 mH / 370 nF, 500 μ H / 510 nF, 200 μ H / 660 nF, 100 μ H / 820 nF
IIC (mixed circuit): Max. external inductivity L_o / Max. external capacitance C_o	2.2 mH / 47 nF, 2 mH / 49 nF, 1 mH / 63 nF, 500 μ H / 80 nF, 200 μ H / 107 nF
I (mixed circuit): Max. external inductivity L_o / Max. external capacitance C_o	37 mH / 0.54 μ F, 0.35 mH / 1 μ F, 0.009 mH / 2.9 μ F, 0.001 mH / 4.15 μ F

Safety data: Signal conditioner operation

Input voltage U_i	≤ 30 V
Input current I_i	≤ 150 mA
Max. internal inductance L_i	negligible
Max. internal capacitance C_i	negligible
Safety-related maximum voltage U_m	253 V AC
	125 V DC

Interfaces

Data communication (bypass)

HART function	Yes
Protocols supported	HART-transparent

Signaling

Status display	Green LED (supply voltage)
----------------	----------------------------

Dimensions

Dimensional drawing	
Width	12.5 mm
Height	112.5 mm
Depth	113.7 mm

MACX MCR-EX-SL-RPSSI-I - Power/input isolating amplifier



2865340

<https://www.phoenixcontact.com/us/products/2865340>

Depth NS 35/7,5	114.5 mm (Snapped onto DIN rail NS 35/7,5 in accordance with EN 60715)
-----------------	--

Material specifications

Color	gray (RAL 7042)
Flammability rating according to UL 94	V0 (Housing)
Housing material	PA 6.6-FR

Environmental and real-life conditions

Ambient conditions

Degree of protection	IP20 (not assessed by UL)
Ambient temperature (operation)	-40 °C ... 60 °C (Any mounting position) -40 °C ... 70 °C (Derating)
Ambient temperature (storage/transport)	-40 °C ... 80 °C
Permissible humidity (operation)	10 % ... 95 % (non-condensing)

Altitude range (≤ 2000 m)

Altitude	≤ 2000 m (The technical data refers to altitudes ≤2000 m above mean sea level. For altitudes >2000 m above mean sea level, refer to the data sheet.)
Ambient temperature (operation)	-40 °C ... 60 °C -40 °C ... 70 °C (Derating)
Rated insulation voltage	375 V _{PP} (Power supply, input / output)

Altitude range (≤ 3000 m)

Height range	> 2000 m ... 3000 m
Ambient temperature (operation)	-40 °C ... 54 °C -40 °C ... 63 °C (Derating)
Rated insulation voltage	190 V AC (Power supply, input / output) 110 V DC (Power supply, input / output)

Altitude range (≤ 4000 m)

Height range	> 3000 m ... 4000 m
Ambient temperature (operation)	-40 °C ... 48 °C -40 °C ... 56 °C (Derating)
Rated insulation voltage	60 V AC/DC (Power supply, input / output)

Altitude range (≤ 5000 m)

Height range	> 4000 m ... 5000 m
Ambient temperature (operation)	-40 °C ... 42 °C -40 °C ... 49 °C (Derating)
Rated insulation voltage	60 V AC/DC (Power supply, input / output)

Approvals

CE

Certificate	CE-compliant
-------------	--------------

MACX MCR-EX-SL-RPSSI-I - Power/input isolating amplifier



2865340

<https://www.phoenixcontact.com/us/products/2865340>

Note	and EN 61326
------	--------------

ATEX

Identification	Ⓜ II (1) G [Ex ia Ga] IIC
	Ⓜ II (1) D [Ex ia Da] IIIC
	Ⓜ II 3(1) G Ex ec [ia Ga] IIC T4 Gc
	Ⓜ I (M1) [Ex ia Ma] I
Certificate	BVS 08 ATEX E 054X

IECEX

Identification	[Ex ia Ga] IIC
	[Ex ia Da] IIIC
	Ex ec [ia Ga] IIC T4 Gc
	[Ex ia Ma] I
Certificate	IECEX BVS 08.0016X

CCC / China-Ex

Identification	[Ex ia Ga] IIC
	[Ex ia Da] IIIC
	Ex ec [ia Ga] IIC T4 Gc
Certificate	2022122316115973

UL, USA/Canada

Identification	UL 61010 Listed
	Class I, Div. 2, Groups A, B, C, D T4
	Class I, Div. 2, Groups IIC, IIB, IIA T4
	Associated apparatus for use in Class I, Division 1, Groups A,B,C,D
	Associated apparatus for use in Class II, Div.1 Groups E,F,G
	Associated apparatus for use in Class III, Division 1
	Associated apparatus for use in Class I, Zone 0,1,2, Groups IIC,IIB,IIA
Certificate	Ⓜ-Ⓜ C.D.-No 83104549

UL, USA/Canada

Identification	UL 61010 Listed
	Class I Div 2; IS for Class I, II, III Div 1
Certificate	Ⓜ-Ⓜ C.D.-No 83104549

Shipbuilding approval

Certificate	DNV GL TAA000020C
-------------	-------------------

Safety Integrity Level (SIL, IEC 61508)

Identification	2
Certificate	IN-AT-AS-MRL-2300149

Systematic Capability

Identification	3
----------------	---

MACX MCR-EX-SL-RPSSI-I - Power/input isolating amplifier



2865340

<https://www.phoenixcontact.com/us/products/2865340>

KC-s

Identification	[Ex ia] IIC/IIB
Certificate	17-KA4BO-0400X

INMETRO

Identification	[Ex ia Ga] IIC
	[Ex ia Da] IIIC
	Ex ec [ia Ga] IIC T4 Gc
	[Ex ia Ma] I
Certificate	DNV 18.0136 X

DNV GL data

Temperature	B
Humidity	B
Vibration	A
EMC	A
Enclosure	Required protection according to the Rules shall be provided upon installation on board

EMC data

Noise immunity	EN 61000-6-2
Note	When being exposed to interference, there may be minimal deviations.
Electromagnetic compatibility	Conformance with EMC directive
Noise emission	EN 61000-6-4

Electromagnetic HF field

Designation	Electromagnetic RF field
Standards/regulations	EN 61000-4-3
Typical deviation from the measuring range final value	1 %

Fast transients (burst)

Designation	Fast transients (burst)
Standards/regulations	EN 61000-4-4
Typical deviation from the measuring range final value	1 %

Conducted interference

Designation	Conducted interferences
Standards/regulations	EN 61000-4-6
Typical deviation from the measuring range final value	1 %

Standards and regulations

Electrical isolation	3-way isolation
----------------------	-----------------

GB Standard

Standards/regulations	GB/T 3836.1
	GB/T 3836.3

MACX MCR-EX-SL-RPSSI-I - Power/input isolating amplifier



2865340

<https://www.phoenixcontact.com/us/products/2865340>

	GB/T 3836.4
--	-------------

Mounting

Mounting type	DIN rail mounting
---------------	-------------------

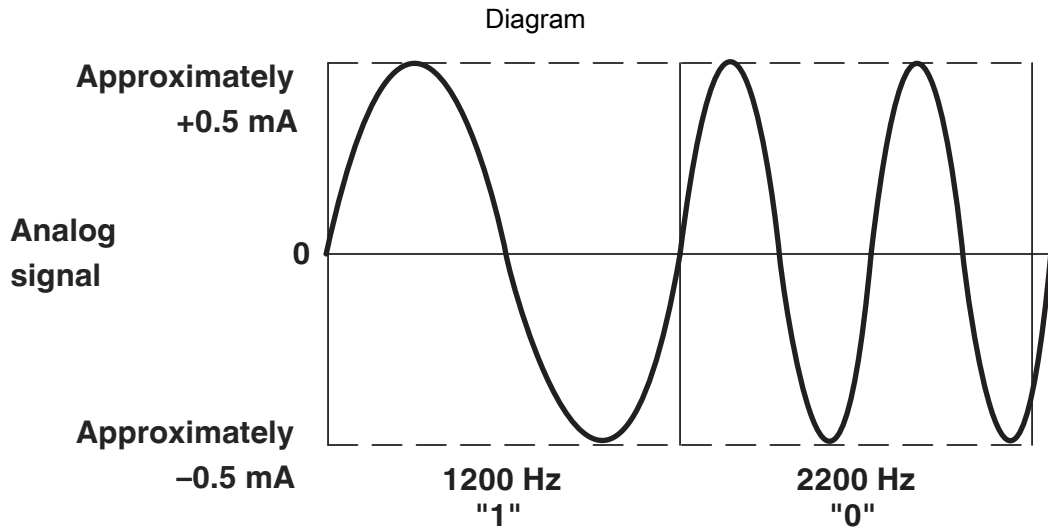
MACX MCR-EX-SL-RPSSI-I - Power/input isolating amplifier



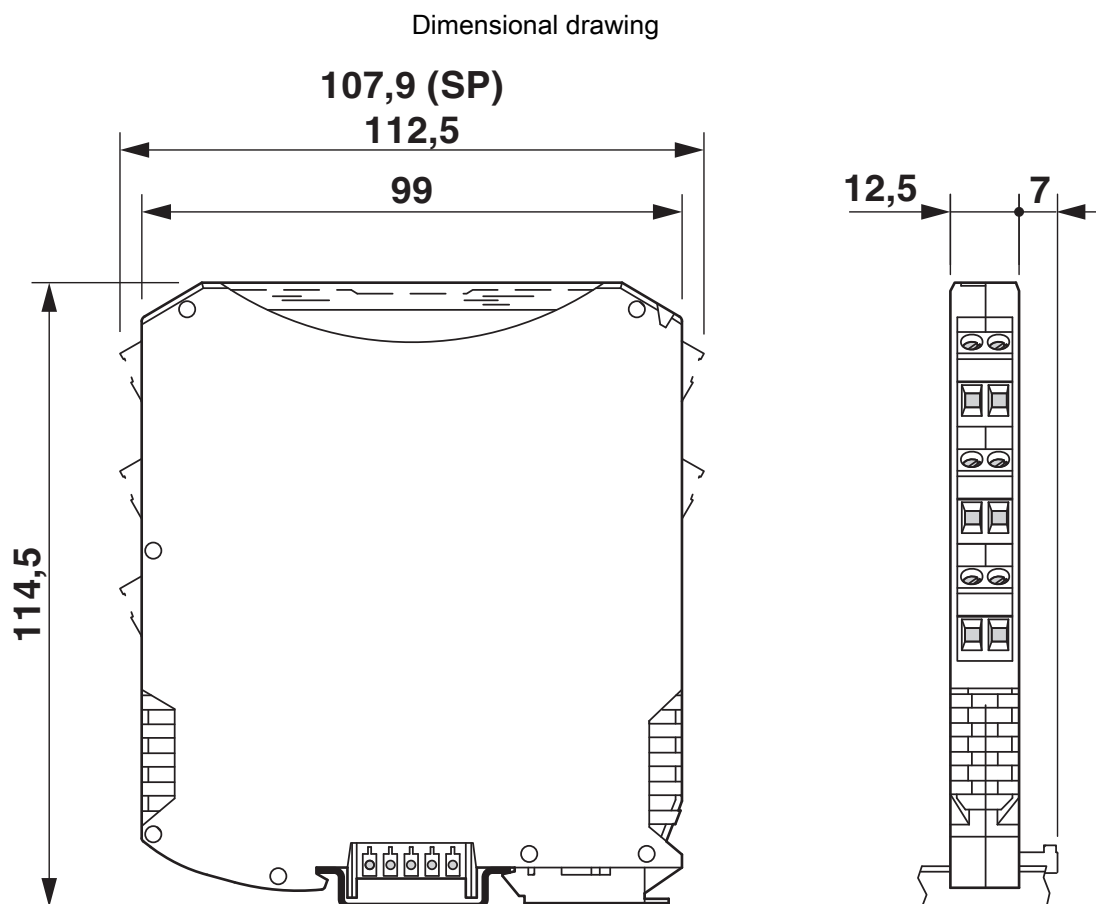
2865340

<https://www.phoenixcontact.com/us/products/2865340>

Drawings



Signal transmission analog and digital at the same time



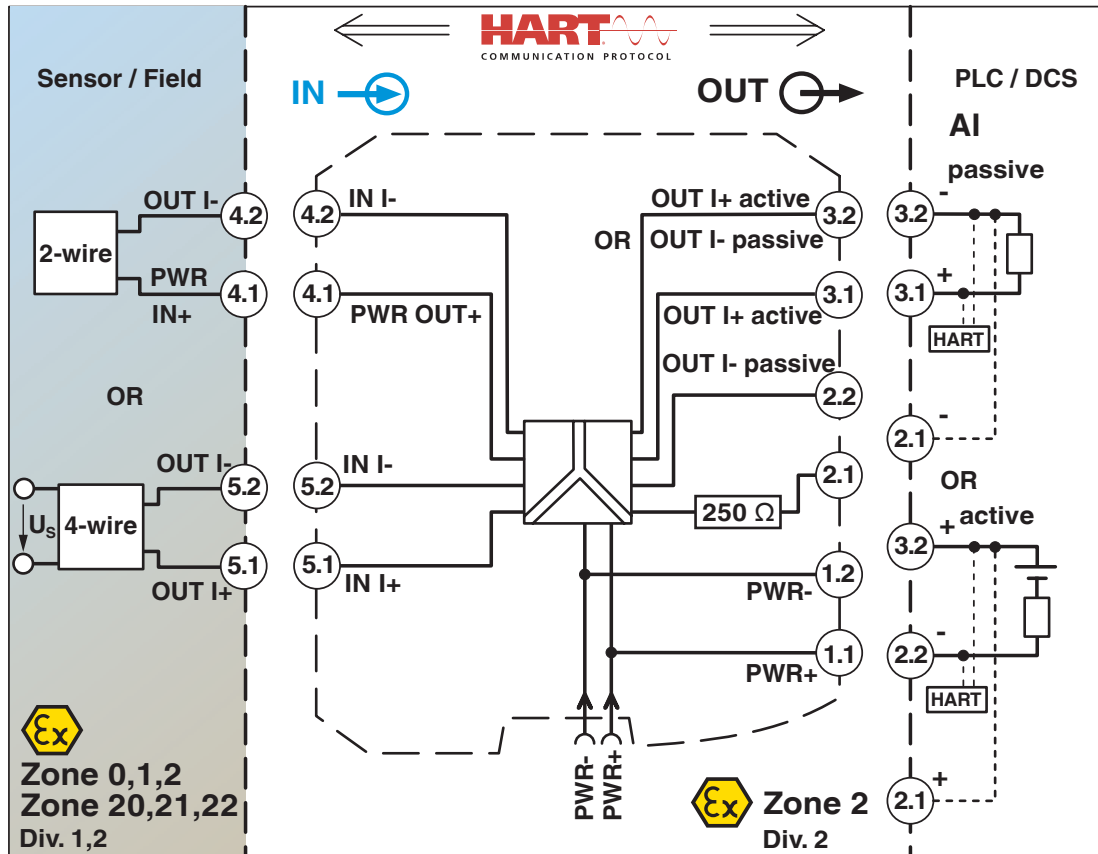
MACX MCR-EX-SL-RPSSI-I - Power/input isolating amplifier



2865340

<https://www.phoenixcontact.com/us/products/2865340>

Block diagram



MACX MCR-EX-SL-RPSSI-I - Power/input isolating amplifier



2865340

<https://www.phoenixcontact.com/us/products/2865340>

Approvals

To download certificates, visit the product detail page: <https://www.phoenixcontact.com/us/products/2865340>



DNV GL

Approval ID: TAA000020C



BV

Approval ID: 39933/B0_BV



UL Listed

Approval ID: FILE E 330267



cUL Listed

Approval ID: FILE E 330267

Functional Safety

Approval ID: BVS Pb 03/08



EAC Ex

Approval ID: RU C-DE.AB72.B.00093



IEC Ex

Approval ID: IECEx BVS 08.0016X



cUL Listed

Approval ID: FILE E 199827



UL Listed

Approval ID: FILE E 199827



ATEX

Approval ID: BVS 08 ATEX E 054X



KC-s

Approval ID: 17-KA4BO-0400X

MACX MCR-EX-SL-RPSSI-I - Power/input isolating amplifier



2865340

<https://www.phoenixcontact.com/us/products/2865340>

INMETRO

Approval ID: DNV 18.0136 X



CCC

Approval ID: 2022122316115973

cULus Listed

cULus Listed

MACX MCR-EX-SL-RPSSI-I - Power/input isolating amplifier



2865340

<https://www.phoenixcontact.com/us/products/2865340>

Classifications

ECLASS

ECLASS-11.0	27210120
ECLASS-12.0	27210120
ECLASS-13.0	27210120

ETIM

ETIM 8.0	EC002653
----------	----------

UNSPSC

UNSPSC 21.0	39121000
-------------	----------

MACX MCR-EX-SL-RPSSI-I - Power/input isolating amplifier



2865340

<https://www.phoenixcontact.com/us/products/2865340>

Environmental product compliance

EU RoHS

Fulfills EU RoHS substance requirements	Yes
Exemption	6(c), 7(a), 7(c)-I

China RoHS

Environment friendly use period (EFUP)	EFUP-50
	An article-related China RoHS declaration table can be found in the download area for the respective article under "Manufacturer declaration". For all articles with EFUP-E, no China RoHS declaration table issued and required.

EU REACH SVHC

REACH candidate substance (CAS No.)	Lead(CAS: 7439-92-1)
SCIP	3b111f6c-b897-4a2c-b6d8-b819c21a1ebd

MACX MCR-EX-SL-RPSSI-I - Power/input isolating amplifier



2865340

<https://www.phoenixcontact.com/us/products/2865340>

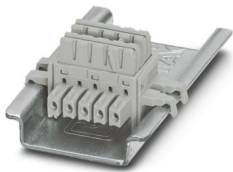
Accessories

ME 6,2 TBUS-2 1,5/5-ST-3,81 GY - DIN rail bus connectors

2695439

<https://www.phoenixcontact.com/us/products/2695439>

DIN rail connector (TBUS), 5-pos., for bridging the supply voltage, can be snapped onto NS 35/... DIN rail in accordance with EN 60715



ME 6,2 TBUS-PR-ADAPTER - DIN rail bus connectors

1136500

<https://www.phoenixcontact.com/us/products/1136500>

Power rail adapter (ME 6,2 TBUS-PR-ADAPTER), 2-pos., enables MINI and MACX Analog modules to be adapted for supply via universal power rail UPR-03 and UPR-05.



MACX MCR-EX-SL-RPSSI-I - Power/input isolating amplifier



2865340

<https://www.phoenixcontact.com/us/products/2865340>

MCR-DP - Separating plate

1430594

<https://www.phoenixcontact.com/us/products/1430594>



The partition plate is used to maintain Ex i isolating distances when Ex i and non-Ex i devices are mounted side by side on a DIN rail.

GW HART USB MODEM - Cable adapter

1003824

<https://www.phoenixcontact.com/us/products/1003824>



USB HART modem cable for communication between a PC and HART devices, cable length: 1 m.

MACX MCR-EX-SL-RPSSI-I - Power/input isolating amplifier



2865340

<https://www.phoenixcontact.com/us/products/2865340>

TC-D37SUB-ADIO16-EX-P-UNI - Module carrier

2924854

<https://www.phoenixcontact.com/us/products/2924854>



Universal termination carrier for connecting 16 MACX Analog Ex i signal conditioners to digital or analog I/O cards, via D-SUB connector, 37-pos. (1:1 connection)

TC-D37SUB-AIO16-EX-PS-UNI - Module carrier

2902932

<https://www.phoenixcontact.com/us/products/2902932>



Universal termination carrier for connecting 16 MACX Analog Ex i signal conditioners to digital or analog I/O cards, via D-SUB connector, 37-pos. (1:1 connection), with HART multiplexer connection

MACX MCR-EX-SL-RPSSI-I - Power/input isolating amplifier



2865340

<https://www.phoenixcontact.com/us/products/2865340>

EA-MSTB 2,5/ 5 - Accessories

1831016

<https://www.phoenixcontact.com/us/products/1831016>

Cover for screw shafts of the MSTB connector ranges with a pitch of 5.0 mm and 5.08 mm. These can be aligned and shortened for use with different numbers of positions.



MPS-IH WH - Insulating sleeve

0201663

<https://www.phoenixcontact.com/us/products/0201663>

Insulating sleeve, color: white



MACX MCR-EX-SL-RPSSI-I - Power/input isolating amplifier



2865340

<https://www.phoenixcontact.com/us/products/2865340>

MPS-IH RD - Insulating sleeve

0201676

<https://www.phoenixcontact.com/us/products/0201676>

Insulating sleeve, color: red

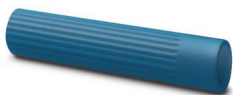


MPS-IH BU - Insulating sleeve

0201689

<https://www.phoenixcontact.com/us/products/0201689>

Insulating sleeve, color: blue



MACX MCR-EX-SL-RPSSI-I - Power/input isolating amplifier



2865340

<https://www.phoenixcontact.com/us/products/2865340>

MPS-IH YE - Insulating sleeve

0201692

<https://www.phoenixcontact.com/us/products/0201692>

Insulating sleeve, color: yellow



MPS-IH GN - Insulating sleeve

0201702

<https://www.phoenixcontact.com/us/products/0201702>

Insulating sleeve, color: green



MACX MCR-EX-SL-RPSSI-I - Power/input isolating amplifier



2865340

<https://www.phoenixcontact.com/us/products/2865340>

MPS-IH GY - Insulating sleeve

0201728

<https://www.phoenixcontact.com/us/products/0201728>

Insulating sleeve, color: gray



MPS-IH BK - Insulating sleeve

0201731

<https://www.phoenixcontact.com/us/products/0201731>

Insulating sleeve, color: black



MACX MCR-EX-SL-RPSSI-I - Power/input isolating amplifier



2865340

<https://www.phoenixcontact.com/us/products/2865340>

MPS-MT - Test plug

0201744

<https://www.phoenixcontact.com/us/products/0201744>



Test plug, with solder connection up to 1 mm² conductor cross section, number of positions: 1, color: gray

UC-EMLP (11X9) - Plastic label

0819291

<https://www.phoenixcontact.com/us/products/0819291>



Plastic label, Sheet, white, unlabeled, can be labeled with: BLUEMARK ID COLOR, BLUEMARK ID, BLUEMARK CLED, PLOTMARK, CMS-P1-PLOTTER, mounting type: adhesive, lettering field size: 11 x 9 mm, Number of individual labels: 10

MACX MCR-EX-SL-RPSSI-I - Power/input isolating amplifier



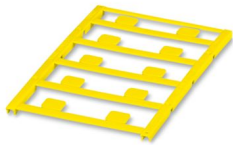
2865340

<https://www.phoenixcontact.com/us/products/2865340>

UC-EMLP (11X9) YE - Plastic label

0822602

<https://www.phoenixcontact.com/us/products/0822602>



Plastic label, Sheet, yellow, unlabeled, can be labeled with: BLUEMARK ID COLOR, BLUEMARK ID, BLUEMARK CLED, PLOTMARK, CMS-P1-PLOTTER, mounting type: adhesive, lettering field size: 11 x 9 mm, Number of individual labels: 10

UC-EMLP (11X9) CUS - Plastic label

0824547

<https://www.phoenixcontact.com/us/products/0824547>



Plastic label, can be ordered: by sheet, white, labeled according to customer specifications, mounting type: adhesive, lettering field size: 11 x 9 mm

MACX MCR-EX-SL-RPSSI-I - Power/input isolating amplifier



2865340

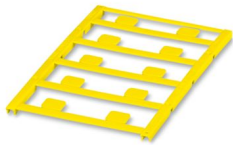
<https://www.phoenixcontact.com/us/products/2865340>

UC-EMLP (11X9) YE CUS - Plastic label

0824548

<https://www.phoenixcontact.com/us/products/0824548>

Plastic label, can be ordered: by sheet, yellow, labeled according to customer specifications, mounting type: adhesive, lettering field size: 11 x 9 mm



UC-EMLP (11X9) SR - Plastic label

0828094

<https://www.phoenixcontact.com/us/products/0828094>

Plastic label, Sheet, silver, unlabeled, can be labeled with: BLUEMARK ID COLOR, BLUEMARK ID, BLUEMARK CLED, PLOTMARK, CMS-P1-PLOTTER, mounting type: adhesive, lettering field size: 11 x 9 mm, Number of individual labels: 10



MACX MCR-EX-SL-RPSSI-I - Power/input isolating amplifier



2865340

<https://www.phoenixcontact.com/us/products/2865340>

UC-EMLP (11X9) SR CUS - Plastic label

0828098

<https://www.phoenixcontact.com/us/products/0828098>



Plastic label, can be ordered: by sheet, silver, labeled according to customer specifications, mounting type: adhesive, lettering field size: 11 x 9 mm, Number of individual labels: 10

US-EMLP (11X9) - Plastic label

0828789

<https://www.phoenixcontact.com/us/products/0828789>



Plastic label, Card, white, unlabeled, can be labeled with: BLUEMARK ID COLOR, BLUEMARK ID, THERMOMARK PRIME, THERMOMARK CARD 2.0, THERMOMARK CARD, mounting type: adhesive, lettering field size: 11 x 9 mm, Number of individual labels: 135

MACX MCR-EX-SL-RPSSI-I - Power/input isolating amplifier



2865340

<https://www.phoenixcontact.com/us/products/2865340>

US-EMLP (11X9) YE - Plastic label

0828871

<https://www.phoenixcontact.com/us/products/0828871>



Plastic label, Card, yellow, unlabeled, can be labeled with: BLUEMARK ID COLOR, BLUEMARK ID, THERMOMARK PRIME, THERMOMARK CARD 2.0, THERMOMARK CARD, mounting type: adhesive, lettering field size: 11 x 9 mm, Number of individual labels: 135

US-EMLP (11X9) SR - Plastic label

0828872

<https://www.phoenixcontact.com/us/products/0828872>



Plastic label, Card, silver, unlabeled, can be labeled with: BLUEMARK ID COLOR, BLUEMARK ID, THERMOMARK PRIME, THERMOMARK CARD 2.0, THERMOMARK CARD, mounting type: adhesive, lettering field size: 11 x 9 mm, Number of individual labels: 135

MACX MCR-EX-SL-RPSSI-I - Power/input isolating amplifier



2865340

<https://www.phoenixcontact.com/us/products/2865340>

LS-EMLP (11X9) WH - Device marker

0831678

<https://www.phoenixcontact.com/us/products/0831678>

Device marker, Sheet, white, unlabeled, can be labeled with: TOPMARK NEO, TOPMARK LASER, mounting type: adhesive, lettering field size: 11 x 9 mm, Number of individual labels: 255



LS-EMLP (11X9) SR - Device marker

0831705

<https://www.phoenixcontact.com/us/products/0831705>

Device marker, Sheet, silver, unlabeled, can be labeled with: TOPMARK NEO, TOPMARK LASER, mounting type: adhesive, lettering field size: 11 x 9 mm, Number of individual labels: 255



MACX MCR-EX-SL-RPSSI-I - Power/input isolating amplifier



2865340

<https://www.phoenixcontact.com/us/products/2865340>

LS-EMLP (11X9) YE - Device marker

0831732

<https://www.phoenixcontact.com/us/products/0831732>

Device marker, Sheet, yellow, unlabeled, can be labeled with: TOPMARK NEO, TOPMARK LASER, mounting type: adhesive, lettering field size: 11 x 9 mm, Number of individual labels: 255



MACX MCR-PTB - Power and error message module

2865625

<https://www.phoenixcontact.com/us/products/2865625>

Power and fault signaling module with screw connection, including corresponding ME 17,5 TBUS 1,5/ 5-ST-3,81 GY DIN rail connector



MACX MCR-EX-SL-RPSSI-I - Power/input isolating amplifier



2865340

<https://www.phoenixcontact.com/us/products/2865340>

MACX MCR-PTB-SP - Power and error message module

2924184

<https://www.phoenixcontact.com/us/products/2924184>



Power and fault signaling module with Push-in connection, including corresponding ME 17,5 TBUS 1,5/ 5-ST-3,81 GY DIN rail connector

QUINT4-SYS-PS/1AC/24DC/2.5/SC - Power supply unit

2904614

<https://www.phoenixcontact.com/us/products/2904614>



Primary-switched power supply, QUINT POWER, screw connection, DIN rail mounting, supply of devices possible via the TBUS DIN rail connector, protective coating, input: single-phase, output: 24 V DC/2.5 A

MACX MCR-EX-SL-RPSSI-I - Power/input isolating amplifier



2865340

<https://www.phoenixcontact.com/us/products/2865340>

SZS 0,6X3,5 - Screwdriver

1205053

<https://www.phoenixcontact.com/us/products/1205053>



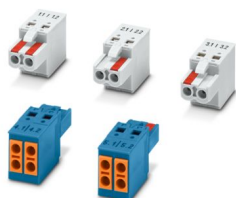
Actuation tool, for ST terminal blocks, insulated, also suitable for use as a bladed screwdriver, size: 0.6 x 3.5 x 100 mm, 2-component grip, with non-slip grip

MACX EX-SET-TVFKC 2-POLE - Connector set

1584378

<https://www.phoenixcontact.com/us/products/1584378>

TVFKC plug set for MACX Ex i devices with 2-pos. plugs



Phoenix Contact 2024 © - all rights reserved
<https://www.phoenixcontact.com>

Phoenix Contact USA
586 Fulling Mill Road
Middletown, PA 17057, United States
(+717) 944-1300
info@phoenixcon.com