

966067-1 ✓ ACTIVE

TE Internal #: 966067-1

Crimp Wire Pins, Tabs & Ferrules, Ferrule, 20 AWG Wire Size, .5 - .6 mm<sup>2</sup> Wire Size, 1022 CMA Wire Size, .1 in [2.6 mm] Barrel Inside Diameter, Closed

[View on TE.com >](#)



Terminals & Splices > Crimp Wire Pins, Tabs & Ferrules



Crimp Wire Terminal Type: **Ferrule**

Compatible Insulation Diameter Range: **2.5 mm [ .09 in ]**

Wire Size: **1022 CMA**

## Features

### Product Type Features

Sealable	No
Compatible With Discrete Wire Type	Stranded

### Configuration Features

Compatible With Wire & Cable Type	Discrete Wire
-----------------------------------	---------------

### Body Features

Primary Product Color	White
-----------------------	-------

### Contact Features

Contact Mating Area Length	6 mm [.234 in]
Crimp Wire Terminal Type	Ferrule
Barrel Type	Closed
Terminal Plating Material	Tin
Terminal Orientation	Straight

### Mechanical Attachment

Wire Insulation Support	Without
-------------------------	---------

### Dimensions

--	--



2-Wire Size	20 AWG
Strip Length	8 mm[.315 in]
Compatible Insulation Diameter Range	2.5 mm[.09 in]
Wire Size	1022 CMA
Barrel Inside Diameter	2.6 mm[.1 in]
Terminal Material Thickness	.15 mm[.005 in]
Overall Product Length	12 mm[.472 in]

### Usage Conditions

Insulation Option	Partially Insulated
Operating Temperature Range	105 °C[221 °F]

### Packaging Features

Packaging Quantity	500
Packaging Method	Box

### Product Compliance

[For compliance documentation, visit the product page on TE.com>](#)

EU RoHS Directive 2011/65/EU	Compliant
EU ELV Directive 2000/53/EC	Compliant
China RoHS 2 Directive MIIT Order No 32, 2016	No Restricted Materials Above Threshold
EU REACH Regulation (EC) No. 1907/2006	Current ECHA Candidate List: JAN 2024 (240) Candidate List Declared Against: JAN 2024 (240) Does not contain REACH SVHC
Halogen Content	Low Halogen - Br, Cl, F, I < 900 ppm per homogenous material. Also BFR/CFR/PVC Free
Solder Process Capability	Not applicable for solder process capability

#### Product Compliance Disclaimer

This information is provided based on reasonable inquiry of our suppliers and represents our current actual knowledge based on the information they provided. This information is subject to change. The part numbers that TE has identified as EU RoHS compliant have a maximum concentration of 0.1% by weight in homogenous materials for lead, hexavalent chromium, mercury, PBB, PBDE, DBP, BBP, DEHP, DIBP, and 0.01% for cadmium, or qualify for an exemption to these limits as defined in the Annexes of Directive 2011/65/EU (RoHS2). Finished electrical and electronic equipment products will be CE marked as required by Directive 2011/65/EU. Components may not be CE marked. Additionally, the part numbers that TE has identified as EU ELV compliant have a maximum concentration of 0.1% by weight in homogenous materials for lead, hexavalent chromium, and mercury, and 0.01% for cadmium, or qualify for an exemption to these limits as defined in the Annexes of Directive 2000/53/EC (ELV). Regarding the REACH Regulation, the information TE provides

on SVHC in articles for this part number is based on the latest European Chemicals Agency (ECHA) 'Guidance on requirements for substances in articles' posted at this URL: <https://echa.europa.eu/guidance-documents/guidance-on-reach>

## Compatible Parts



TE Part # 539660-1  
ADERENDHUELSEN (Ferrule) Crimp Tool



TE Part # 7-1579014-0  
HT FOR CABLE-END SLEEVES 0,08-10

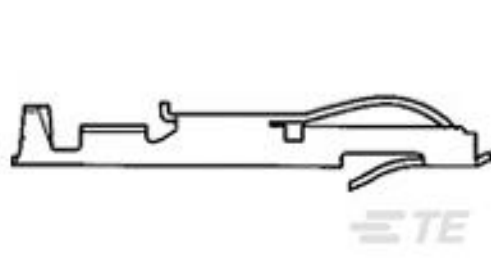


TE Part # 2-1579001-3  
CSE10-AE22 CRIMP HEAD



TE Part # 1SET191003R0000  
FER-SE-HT

## Customers Also Bought



TE Part # 5-583649-3  
CONT.CRP.SNAP TW.LF.STRIP



TE Part # 87190-1  
LOCKING CLIP CONT ASSY .025 SQ




TE Part # 2176505-2  
CJP 120W 8R2 5% Lead




TE Part # 5-2176238-7  
CPF A 0805 27K 0.1% 25PPM 5K RL



TE Part # 6-185454-1  
26W MQS HDR ASSY FOR SMT



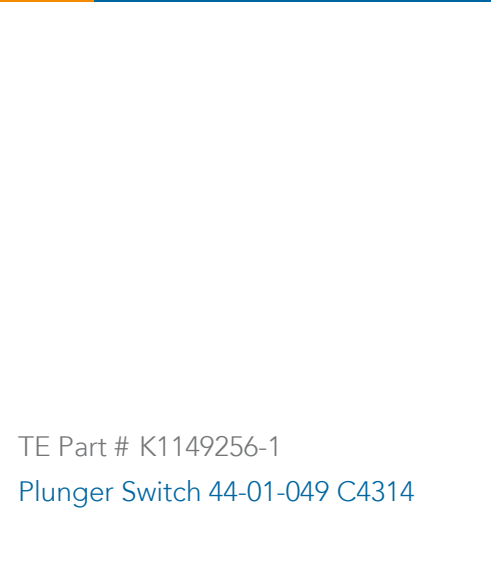
TE Part # 044581-E  
ERMBUG N 3 1 172 E3 \* J 2 44581 BUCHSENG



TE Part # 044965-E  
STVSKO H F 181 ABGE 40A \* EP03 3,50 \* FE



TE Part # 1742906-1  
GROUNDING CLIP 18-14 020 SST



TE Part # K1149256-1  
Plunger Switch 44-01-049 C4314

## Documents

### Product Drawings

FER,WIRE,PL SLV, .50/20,L6,WHITE,LP

English



### CAD Files

#### Customer View Model

[ENG\\_CVM\\_CVM\\_966067-1\\_B.3d\\_igs.zip](#)

English

#### Customer View Model

[ENG\\_CVM\\_CVM\\_966067-1\\_B.3d\\_stp.zip](#)

English

#### 3D PDF

English

#### Customer View Model

[ENG\\_CVM\\_966067-1\\_B1.2d\\_dxf.zip](#)

English

#### Customer View Model

[ENG\\_CVM\\_966067-1\\_B1.3d\\_igs.zip](#)

English

#### Customer View Model

[ENG\\_CVM\\_966067-1\\_B1.3d\\_stp.zip](#)

English

By downloading the CAD file I accept and agree to the [Terms and Conditions](#) of use.

### Datasheets & Catalog Pages

#### Wire Ferrules

English

#### WIRE END FERRULES

English

### Agency Approvals

#### CSA Certificate

English