

2-963217-1 ✓ ACTIVE

AMP | Junior Power Timer

TE Internal #: 2-963217-1

Housing for Female Terminals, Wire-to-Board, 16 Position, .197 in [5 mm] Centerline, Sealable, Gray, Wire & Cable, Power, Junior Power Timer

[View on TE.com >](#)



Connectors > Automotive Connectors > Automotive Housings > Timer Connector Housing



Connector System: **Wire-to-Board**

Number of Positions: **16**

Connector & Housing Type: **Housing for Female Terminals**

Centerline (Pitch): **5 mm [.197 in]**

Sealable: **Yes**

[All Timer Connector Housing \(518\)](#)

Features

Product Type Features

Mixed & Hybrid Connector	No
Connector Shape	Rectangular
Connector System	Wire-to-Board
Connector & Housing Type	Housing for Female Terminals
Sealable	Yes
Connector & Contact Terminates To	Wire & Cable
Primary Locking Feature	On the Terminal

Configuration Features

Number of Positions	16
Number of Rows	2

Electrical Characteristics

Nominal Voltage Architecture	12 V
------------------------------	------

Body Features

Primary Product Color	Gray
Connector & Keying Code	Neutral

Contact Features

--	--



Contact Size	2.8mm
Contact Type	Receptacle
Mating Tab Width	2.8 mm[.11 in]
Contact Current Rating (Max)	30 A

Mechanical Attachment

Terminal Position Assurance	No
Strain Relief	Without
Mating Alignment Type	Polarization Slot
Mating Alignment	With
Connector Mounting Type	Cable Mount (Free-Hanging)

Housing Features

Housing Material	PBT GF
Centerline (Pitch)	5 mm[.197 in]

Dimensions

Connector Height	37.75 mm[1.486 in]
Product Width	24.3 mm[.957 in]
Product Length	52.65 mm[2.073 in]
Row-to-Row Spacing	6 mm[.236 in]

Usage Conditions

Operating Temperature (Max)	80 °C[176 °F]
Operating Temperature Range	-40 - 80 °C[-40 - 176 °F]

Operation/Application

Circuit Application	Power
---------------------	-------

Packaging Features

Packaging Quantity	500
Packaging Method	Carton

Other

Serviceable	No
Connector Position Assurance Capable	No

Product Compliance

[For compliance documentation, visit the product page on TE.com>](#)

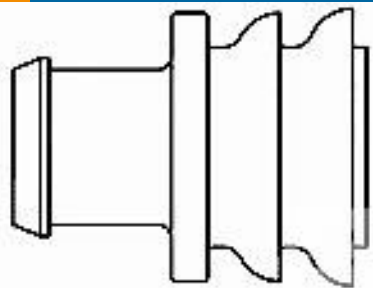


EU RoHS Directive 2011/65/EU	Compliant
EU ELV Directive 2000/53/EC	Compliant
China RoHS 2 Directive MIIT Order No 32, 2016	No Restricted Materials Above Threshold
EU REACH Regulation (EC) No. 1907/2006	Current ECHA Candidate List: JAN 2024 (240) Candidate List Declared Against: JAN 2024 (240) Does not contain REACH SVHC
Halogen Content	BFR/CFR/PVC Free, but Br/Cl >900 ppm in other sources.
Solder Process Capability	Not applicable for solder process capability

Product Compliance Disclaimer

This information is provided based on reasonable inquiry of our suppliers and represents our current actual knowledge based on the information they provided. This information is subject to change. The part numbers that TE has identified as EU RoHS compliant have a maximum concentration of 0.1% by weight in homogenous materials for lead, hexavalent chromium, mercury, PBB, PBDE, DBP, BBP, DEHP, DIBP, and 0.01% for cadmium, or qualify for an exemption to these limits as defined in the Annexes of Directive 2011/65/EU (RoHS2). Finished electrical and electronic equipment products will be CE marked as required by Directive 2011/65/EU. Components may not be CE marked. Additionally, the part numbers that TE has identified as EU ELV compliant have a maximum concentration of 0.1% by weight in homogenous materials for lead, hexavalent chromium, and mercury, and 0.01% for cadmium, or qualify for an exemption to these limits as defined in the Annexes of Directive 2000/53/EC (ELV). Regarding the REACH Regulation, the information TE provides on SVHC in articles for this part number is based on the latest European Chemicals Agency (ECHA) 'Guidance on requirements for substances in articles' posted at this URL: <https://echa.europa.eu/guidance-documents/guidance-on-reach>

Compatible Parts



TE Part # 282081-1
RUBBER PLUG



TE Part # 828905-1
SINGLE-WIRE-SEAL(5MM HOLE)



TE Part # CAT-LMPH9507
Low & Medium Power Header



TE Part # CAT-T4827-T273
TIMER, RECEPTACLE AND TAB



TE Part # 1452317-1
COVER F.16P JPT HSG



TE Part # 828904-1
SINGLE WIRE SEAL FOR J.P.T.CON



TE Part # 3-963215-1
16P STIFTWANNE 3MM

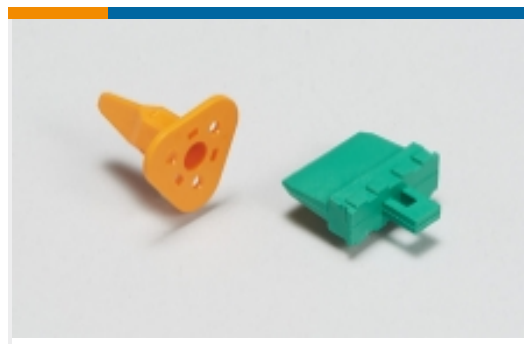


TE Part # 282081-2
RUBBER PLUG

Also in the Series | Junior Power Timer



Automotive Connector Caps & Covers (9)



Automotive Connector Locks & Position Assurance (8)



Automotive Housings (324)



Automotive Terminals (189)



Busbars & Terminals (1)



Connector Seals & Cavity Plugs (9)



Insertion & Extraction Tools (8)



Module Components (4)



Other Automotive Connector Accessories (2)



Special Purpose Terminals (2)

Customers Also Bought



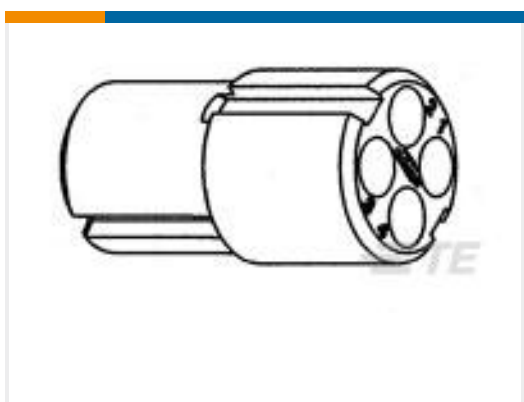
TE Part # 1-964449-1
Timer Connector Housing



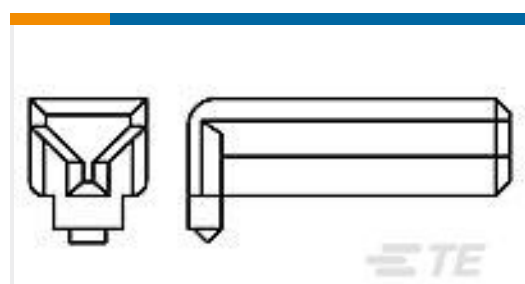
TE Part # 1-1703808-1
4POS,TAB 2.8X0.8,TAB HSG,ASSY,



TE Part # 1337245-3
HSG ASSY DIA 1.5MM SOCKETLATCH



TE Part # 215599-1
04P.CI-2 SOCKET HSG



TE Part # 965657-1
KONTAKTSICHERUNG



TE Part # 2303288-1
60POS,MCON 1.2,REC HSG ASSY,SLD, COD A

Documents



Product Drawings

16 J-P-T GEH KOMPL

English

CAD Files

3D PDF

English

Customer View Model

[ENG_CVM_2-963217-1_D.2d_dxf.zip](#)

English

Customer View Model

[ENG_CVM_2-963217-1_D.3d_igs.zip](#)

English

Customer View Model

[ENG_CVM_2-963217-1_D.3d_stp.zip](#)

English

By downloading the CAD file I accept and agree to the [Terms and Conditions](#) of use.

Datasheets & Catalog Pages

Timer Interconnection System

English

Product Specifications

Application Specification

English