



Connectors > Connector Accessories > Light Pipes



Form Factor: **SFP+**

Number of Lightpipes: **12**

Lightpipe Product Type: **Lightpipe**

Lightpipe Configuration: **Dual Round**

Features

Product Type Features

Form Factor	SFP+
Lightpipe Product Type	Lightpipe

Configuration Features

Number of Lightpipes	12
Lightpipe Configuration	Dual Round

Usage Conditions

Operating Temperature Range	-55 - 105 °C[-67 - 221 °F]
-----------------------------	----------------------------

Industry Standards

UL Flammability Rating	UL 94V-2
------------------------	----------

Packaging Features

Packaging Method	Box
------------------	-----

Product Compliance

[For compliance documentation, visit the product page on TE.com>](#)

EU RoHS Directive 2011/65/EU	Compliant
EU ELV Directive 2000/53/EC	Compliant
China RoHS 2 Directive MIIT Order No 32, 2016	No Restricted Materials Above Threshold
EU REACH Regulation (EC) No. 1907/2006	Current ECHA Candidate List: JAN 2024 (240) Candidate List Declared Against: JAN 2024 (240) Does not contain REACH SVHC

Halogen Content Not Low Halogen - contains Br or Cl > 900 ppm.

Solder Process Capability Not applicable for solder process capability

Product Compliance Disclaimer

This information is provided based on reasonable inquiry of our suppliers and represents our current actual knowledge based on the information they provided. This information is subject to change. The part numbers that TE has identified as EU RoHS compliant have a maximum concentration of 0.1% by weight in homogenous materials for lead, hexavalent chromium, mercury, PBB, PBDE, DBP, BBP, DEHP, DIBP, and 0.01% for cadmium, or qualify for an exemption to these limits as defined in the Annexes of Directive 2011/65/EU (RoHS2). Finished electrical and electronic equipment products will be CE marked as required by Directive 2011/65/EU. Components may not be CE marked. Additionally, the part numbers that TE has identified as EU ELV compliant have a maximum concentration of 0.1% by weight in homogenous materials for lead, hexavalent chromium, and mercury, and 0.01% for cadmium, or qualify for an exemption to these limits as defined in the Annexes of Directive 2000/53/EC (ELV). Regarding the REACH Regulation, the information TE provides on SVHC in articles for this part number is based on the latest European Chemicals Agency (ECHA) 'Guidance on requirements for substances in articles' posted at this URL: <https://echa.europa.eu/guidance-documents/guidance-on-reach>

Compatible Parts



TE Part # CAT-C11-H5062
SFP+ to SFP+ I/O Cable Assembly: 30 AWG



TE Part # CAT-SF59-C117ST123
SFP+ Stacked Cage Assemblies



TE Part # 2007251-1
SFP+ 1x6 Cage Assembly



TE Part # 2198235-3
SFP+ Enhanced 1x6, Networking Heatsink



TE Part # 2007170-1
SFP+ PressFit
EMIShielded 1x6 Cage Assm



TE Part # 2169259-1
SFP+ 1x6 Cage Assy, Extended H



TE Part # 2198235-2
SFP+ Enhanced 1x6, SAN Heatsink



TE Part # 2170272-1
SFP+ 1x6 Cage Assembly



TE Part # 2170683-1
SFP+ Enhanced 1x6, with Heatsink



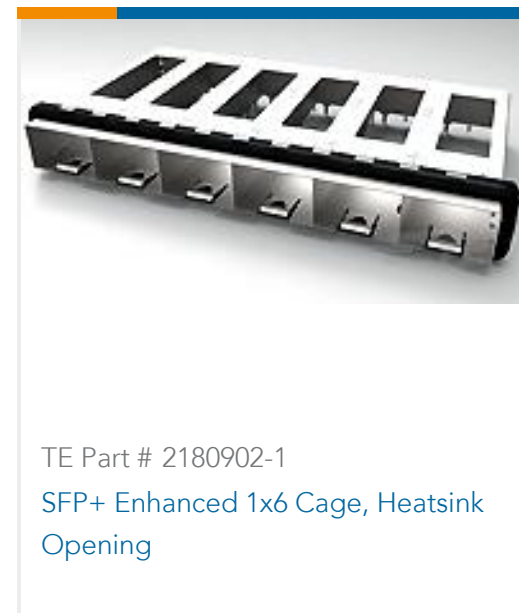
TE Part # CAT-C11-H5
SFP+ to SFP+ I/O Cable Assembly: 24 AWG



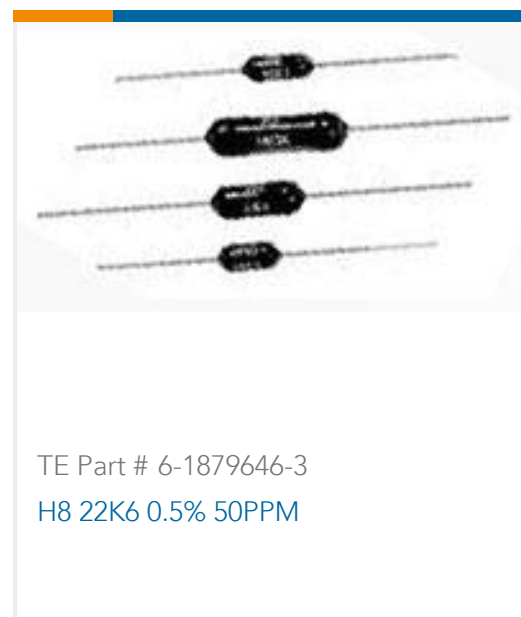
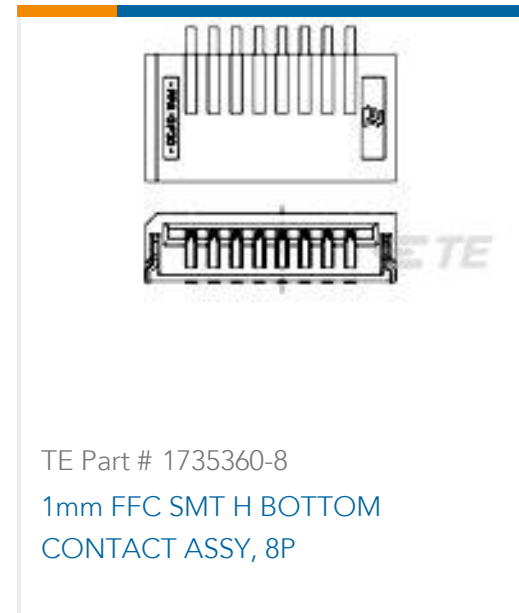
TE Part # CAT-C11-H506
SFP+ to SFP+ I/O Cable Assembly: 26 AWG



TE Part # CAT-C11-H5062
SFP+ to SFP+ I/O Cable Assembly: 28 AWG



Customers Also Bought



Documents

Product Drawings

SFP 1x6 Light Pipe Assy, Low Profile

English

CAD Files

3D PDF

3D

Customer View Model

ENG_CVM_CVM_2110743-1_A.2d_dxf.zip



English

Customer View Model

[ENG_CVM_CVM_2110743-1_A.3d_igs.zip](#)

English

Customer View Model

[ENG_CVM_CVM_2110743-1_A.3d_stp.zip](#)

English

By downloading the CAD file I accept and agree to the [Terms and Conditions](#) of use.

Product Specifications

[Application Specification](#)

English