

329657

✓ ACTIVE



TERMI-FOIL

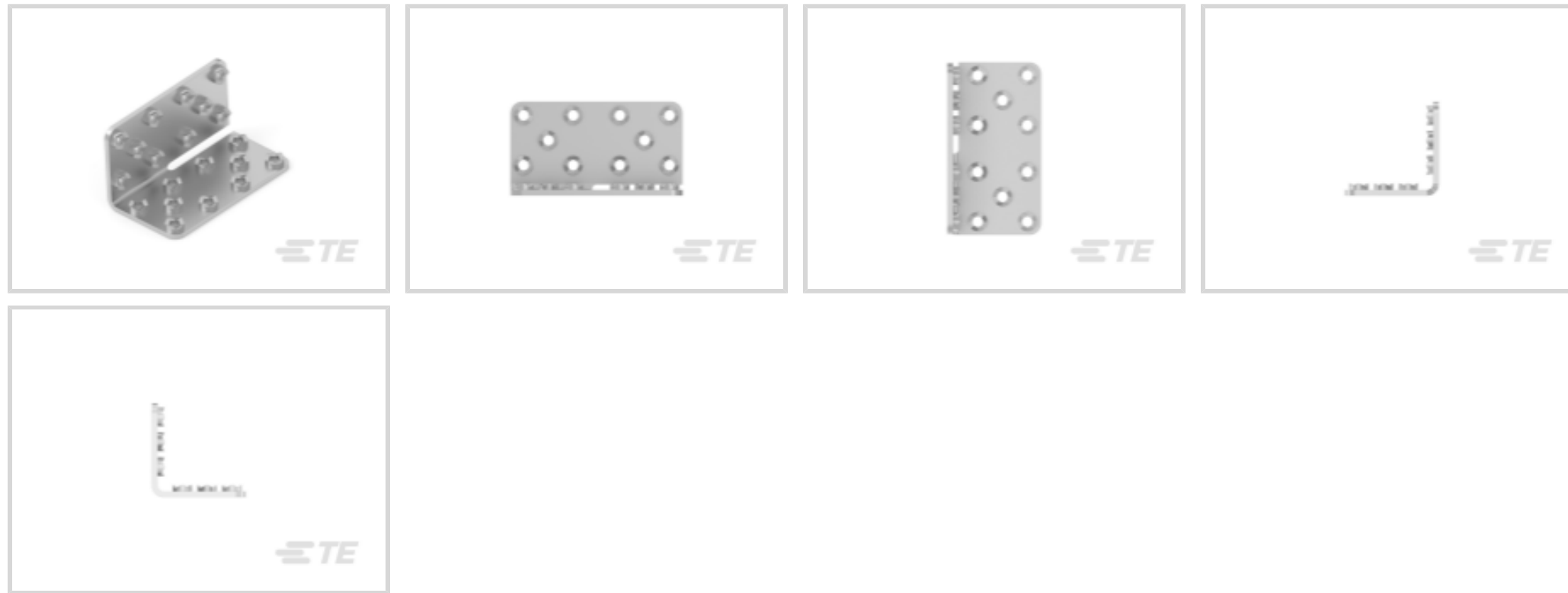
TE Internal #: 329657

Foil Terminals, Tin Plating, Box, 12 - 10 AWG Wire Size, 3.3 - 5.26

mm² Wire Size, 150 °C [302 °F], TERMI-FOIL

[View on TE.com >](#)

Terminals & Splices > Foil Terminals



Accepts Foil Thickness (Max): .79 mm [.031 in]

Terminal Plating Material: Tin

Packaging Method: Box

Wire Size: 3.3 - 5.26 mm²

Features

Contact Features

Terminal Plating Material	Tin
---------------------------	-----

Termination Features

Accepts Foil Thickness (Max)	.79 mm [.031 in]
------------------------------	------------------

Dimensions

Wire Size	3.3 - 5.26 mm ²
-----------	----------------------------

Usage Conditions

Insulation Option	Uninsulated
-------------------	-------------

Operating Temperature Range	150 °C [302 °F]
-----------------------------	-----------------

Packaging Features

Packaging Quantity	250
--------------------	-----

Packaging Method	Box
------------------	-----

Product Compliance

[For compliance documentation, visit the product page on TE.com>](#)

EU RoHS Directive 2011/65/EU	Compliant
------------------------------	-----------

EU ELV Directive 2000/53/EC	Compliant
China RoHS 2 Directive MIIT Order No 32, 2016	No Restricted Materials Above Threshold
EU REACH Regulation (EC) No. 1907/2006	Current ECHA Candidate List: JAN 2024 (240) Candidate List Declared Against: JAN 2024 (240) Does not contain REACH SVHC
Halogen Content	Low Halogen - Br, Cl, F, I < 900 ppm per homogenous material. Also BFR/CFR/PVC Free
Solder Process Capability	Not applicable for solder process capability

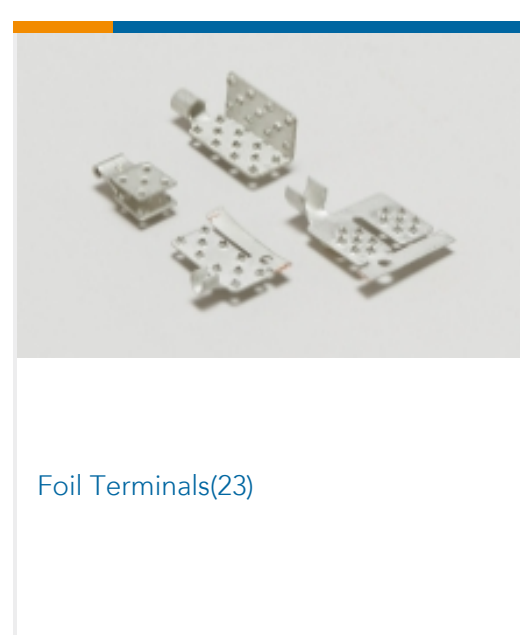
Product Compliance Disclaimer

This information is provided based on reasonable inquiry of our suppliers and represents our current actual knowledge based on the information they provided. This information is subject to change. The part numbers that TE has identified as EU RoHS compliant have a maximum concentration of 0.1% by weight in homogenous materials for lead, hexavalent chromium, mercury, PBB, PBDE, DBP, BBP, DEHP, DIBP, and 0.01% for cadmium, or qualify for an exemption to these limits as defined in the Annexes of Directive 2011/65/EU (RoHS2). Finished electrical and electronic equipment products will be CE marked as required by Directive 2011/65/EU. Components may not be CE marked. Additionally, the part numbers that TE has identified as EU ELV compliant have a maximum concentration of 0.1% by weight in homogenous materials for lead, hexavalent chromium, and mercury, and 0.01% for cadmium, or qualify for an exemption to these limits as defined in the Annexes of Directive 2000/53/EC (ELV). Regarding the REACH Regulation, the information TE provides on SVHC in articles for this part number is based on the latest European Chemicals Agency (ECHA) 'Guidance on requirements for substances in articles' posted at this URL: <https://echa.europa.eu/guidance-documents/guidance-on-reach>

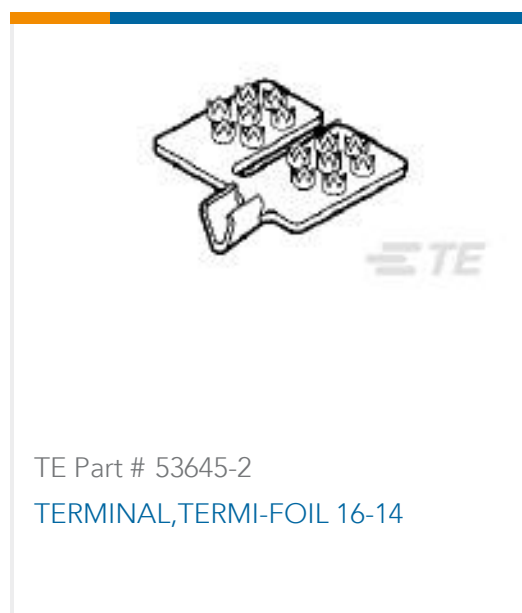
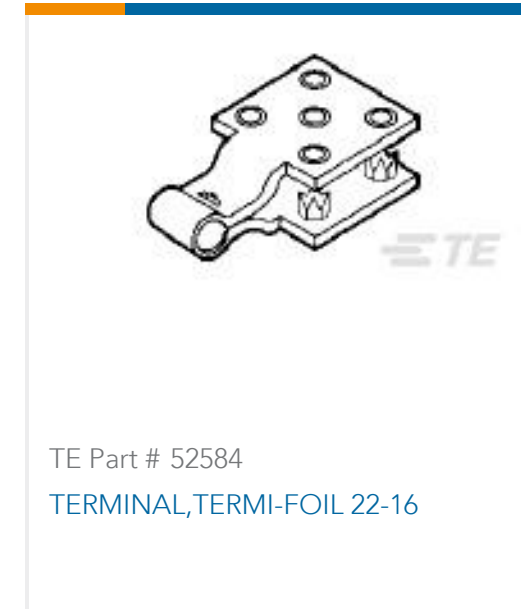
Compatible Parts



Also in the Series | TERMI-FOIL



Customers Also Bought



Documents

Product Drawings

[SPLICE, TERMI-FOIL DBL FACE](#)

English

CAD Files

Customer View Model

[ENG_CVM_329657_E.3d_igs.zip](#)

English

Customer View Model

[ENG_CVM_329657_E.3d_stp.zip](#)

English

Customer View Model

[ENG_CVM_329657_E.2d_dxf.zip](#)

English

3D PDF

English

By downloading the CAD file I accept and agree to the [Terms and Conditions](#) of use.

329657

Foil Terminals, Tin Plating, Box, 12 - 10 AWG Wire Size, 3.3 - 5.26 mm² Wire Size, 150 °C [302 °F], TERMI-FOIL



Datasheets & Catalog Pages

[Digital Data Sheet](#)

English