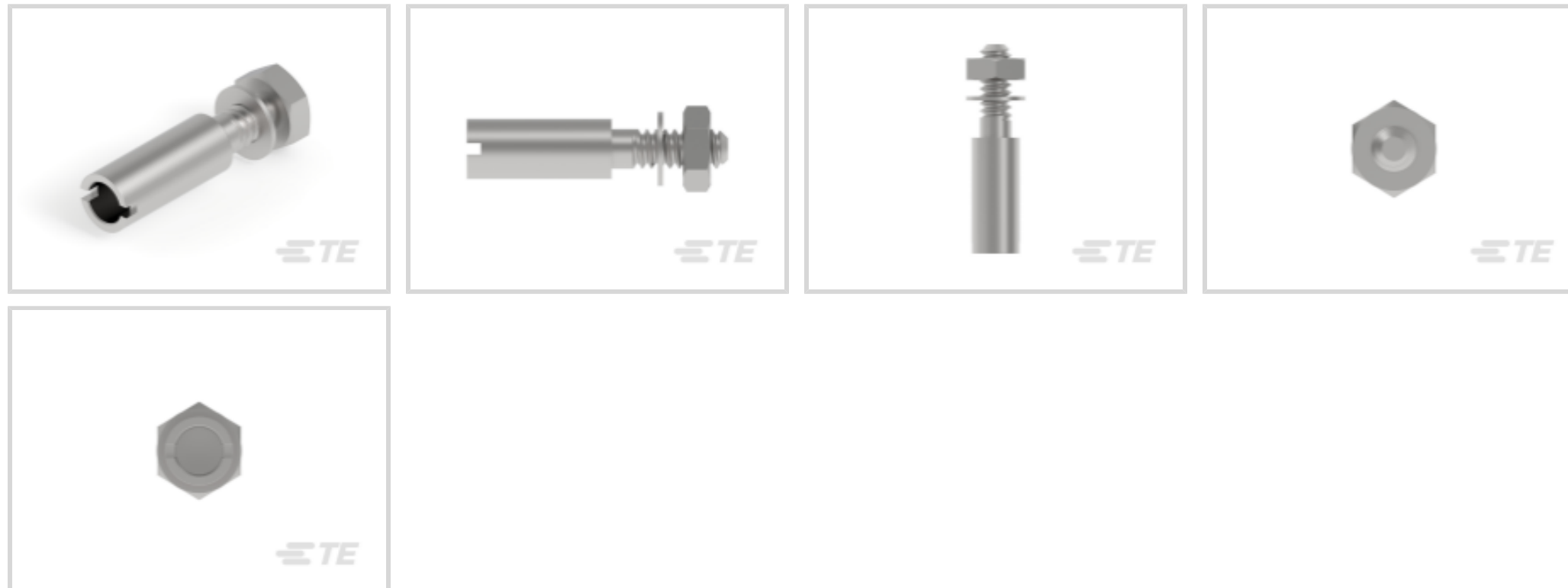




Connectors > Connector Accessories > Connector Hardware



Hardware Accessory Function: **Guide Hardware**

Connector Hardware Accessory Type: **Guide Socket Kit**

Primary Product Material: **Stainless Steel**

Operating Temperature (Max): **150 °C [ 302 °F ]**

Operating Temperature Range: **-55 - 150 °C [ -67 - 302 °F ]**

## Features

### Product Type Features

Hardware Accessory Function	Guide Hardware
Connector Hardware Accessory Type	Guide Socket Kit

### Body Features

Primary Product Material	Stainless Steel
--------------------------	-----------------

### Mechanical Attachment

Hardware Type Included	Nuts and Lockwashers
Thread Size	6-32

### Dimensions

Product Width	6.35 mm [.25 in]
Product Length	22.35 mm [.88 in]
Product Height	7.35 mm [.289 in]

### Usage Conditions

Operating Temperature (Max)	150 °C [302 °F]
Operating Temperature Range	-55 - 150 °C [-67 - 302 °F]

### Packaging Features



Packaging Quantity	100
Packaging Method	Bag

### Product Compliance

[For compliance documentation, visit the product page on TE.com>](#)

EU RoHS Directive 2011/65/EU	Compliant
EU ELV Directive 2000/53/EC	Compliant
China RoHS 2 Directive MIIT Order No 32, 2016	No Restricted Materials Above Threshold
EU REACH Regulation (EC) No. 1907/2006	Current ECHA Candidate List: JAN 2024 (240) Candidate List Declared Against: JAN 2024 (240) Does not contain REACH SVHC
Halogen Content	Low Halogen - Br, Cl, F, I < 900 ppm per homogenous material. Also BFR/CFR/PVC Free
Solder Process Capability	Not applicable for solder process capability

#### Product Compliance Disclaimer

This information is provided based on reasonable inquiry of our suppliers and represents our current actual knowledge based on the information they provided. This information is subject to change. The part numbers that TE has identified as EU RoHS compliant have a maximum concentration of 0.1% by weight in homogenous materials for lead, hexavalent chromium, mercury, PBB, PBDE, DBP, BBP, DEHP, DIBP, and 0.01% for cadmium, or qualify for an exemption to these limits as defined in the Annexes of Directive 2011/65/EU (RoHS2). Finished electrical and electronic equipment products will be CE marked as required by Directive 2011/65/EU. Components may not be CE marked. Additionally, the part numbers that TE has identified as EU ELV compliant have a maximum concentration of 0.1% by weight in homogenous materials for lead, hexavalent chromium, and mercury, and 0.01% for cadmium, or qualify for an exemption to these limits as defined in the Annexes of Directive 2000/53/EC (ELV). Regarding the REACH Regulation, the information TE provides on SVHC in articles for this part number is based on the latest European Chemicals Agency (ECHA) 'Guidance on requirements for substances in articles' posted at this URL: <https://echa.europa.eu/guidance-documents/guidance-on-reach>

### Compatible Parts

 <p>TE Part # 1-201046-2 SERIES "M" MIN RECT GUIDE PIN</p>	<p>TE Part # 201047-7 SER. "M" GUIDE SOC. KIT</p>	<p>TE Part # 201046-7 SERIES "M" MIN.RECT. GUIDE PIN</p>
---	---	--

### Customers Also Bought



TE Part # DT04-2P  
REC, 2P, GRY, N



TE Part # W2S  
Wedgelocks: DEUTSCH DT



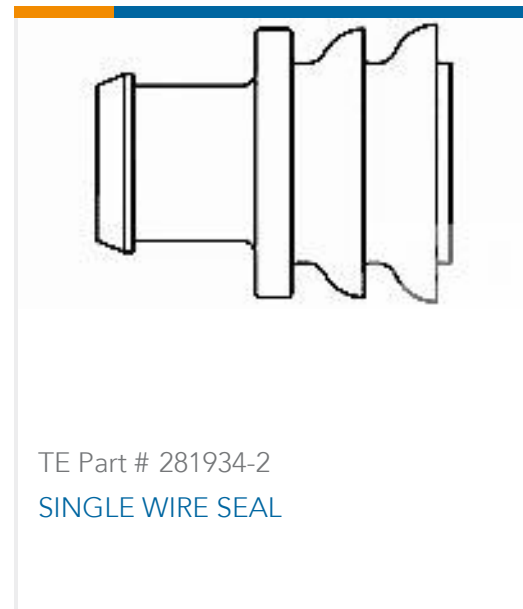
TE Part # 0460-202-16141  
DEUTSCH Solid Contacts



TE Part # 282104-1  
AMP SUPERSEAL 1.5MM,  
CONNECTOR HOUSING



TE Part # DT06-2S  
PLG, 2P, GRY, N



TE Part # 281934-2  
SINGLE WIRE SEAL



TE Part # 114017-ZZ  
SEALING PLUG, SIZE 12/16, WHT

## Documents

### Product Drawings

#### CORNER GUIDE SKT,M SERIES

English

### CAD Files

#### Customer View Model

[ENG\\_CVM\\_CVM\\_203966-1\\_G.3d\\_stp.zip](#)

English

#### Customer View Model

[ENG\\_CVM\\_CVM\\_203966-1\\_G.2d\\_dxf.zip](#)

English

#### Customer View Model

[ENG\\_CVM\\_CVM\\_203966-1\\_G.3d\\_igs.zip](#)

English

### 3D PDF

3D

By downloading the CAD file I accept and agree to the [Terms and Conditions](#) of use.

### Datasheets & Catalog Pages

#### M\_SERIES\_PIN\_AND\_SOCKET\_CONNECTORS

English

### Instruction Sheets

#### Instruction Sheet (U.S.)

English