

2213795-2 ✓ ACTIVE

LUMAWISE | LUMAWISE Endurance S

TE Internal #: 2213795-2

Connector, Light Gray, Height 15.5 mm, Keyed / Not Vented,
Zhaga, Sealable, LUMAWISE Endurance S

[View on TE.com >](#)



Connectors > Lighting Connectors > Street Lighting Controls > Street Lighting Connectors



Lighting Product Type: **Connector**

Primary Product Color: **Light Gray**

Product Height: **15.5 mm**

Lighting Connector Features Included: **Keyed, Not Vented**

Compatible With Agency/Standards Products: **Zhaga**

Features

Product Type Features

Lighting Product Type	Connector
Sealable	Yes

Configuration Features

Lighting Connector Features Included	Keyed, Not Vented
--------------------------------------	-------------------

Body Features

Primary Product Color	Light Gray
-----------------------	------------

Dimensions

Product Diameter	38.5 mm
Product Height	15.5 mm

Industry Standards

IP Rating	IP66
Compatible With Agency/Standards Products	Zhaga

Product Compliance



[For compliance documentation, visit the product page on TE.com>](#)

EU RoHS Directive 2011/65/EU	Compliant
EU ELV Directive 2000/53/EC	Compliant
China RoHS 2 Directive MIIT Order No 32, 2016	No Restricted Materials Above Threshold
EU REACH Regulation (EC) No. 1907/2006	Current ECHA Candidate List: JAN 2024 (240) Candidate List Declared Against: JAN 2024 (240) Does not contain REACH SVHC
Halogen Content	Not Low Halogen - contains Br or Cl > 900 ppm.
Solder Process Capability	Not reviewed for solder process capability

Product Compliance Disclaimer

This information is provided based on reasonable inquiry of our suppliers and represents our current actual knowledge based on the information they provided. This information is subject to change. The part numbers that TE has identified as EU RoHS compliant have a maximum concentration of 0.1% by weight in homogenous materials for lead, hexavalent chromium, mercury, PBB, PBDE, DBP, BBP, DEHP, DIBP, and 0.01% for cadmium, or qualify for an exemption to these limits as defined in the Annexes of Directive 2011/65/EU (RoHS2). Finished electrical and electronic equipment products will be CE marked as required by Directive 2011/65/EU. Components may not be CE marked. Additionally, the part numbers that TE has identified as EU ELV compliant have a maximum concentration of 0.1% by weight in homogenous materials for lead, hexavalent chromium, and mercury, and 0.01% for cadmium, or qualify for an exemption to these limits as defined in the Annexes of Directive 2000/53/EC (ELV). Regarding the REACH Regulation, the information TE provides on SVHC in articles for this part number is based on the latest European Chemicals Agency (ECHA) 'Guidance on requirements for substances in articles' posted at this URL: <https://echa.europa.eu/guidance-documents/guidance-on-reach>

Compatible Parts

TE Part # 2213858-1
RECEPTACLE ASSEM., LUMAWISE ENDURANCE S

TE Part # 1-2363638-1
Rcpt, LUMAWISE Endurance S2Kit, Zhaga,DOT

TE Part # 1-2363638-5
Recept, LUMAWISE Endurance S2, Zhaga,Dots

TE Part # 2363638-1
Recept, LUMAWISE Endurance S2 Kit, Zhaga

TE Part # 2363638-5
Recept, LUMAWISE Endurance S2, Zhaga

Also in the Series | LUMAWISE Endurance S



Poke-In Connectors(1)



Street Lighting Connectors(35)



Street Lighting Power Management(5)

Customers Also Bought



TE Part # 2213627-2
ASSEMBLY, ROT DIM REC 49.22MM 7
POS 150C



TE Part # 2213362-2
Rcpt Assy,Dimmable Photocontrol,
150C,3/4



TE Part # 2-1393240-7
RT33LA12



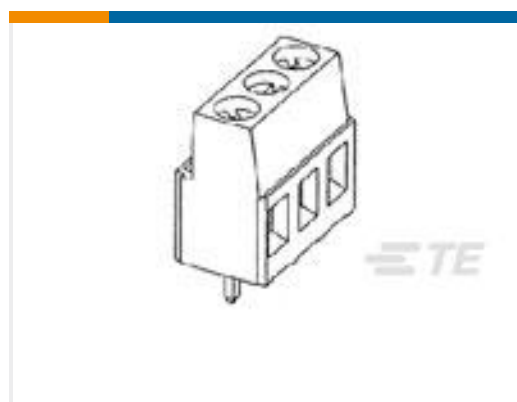
TE Part # 794535-1
06P UMNL PLUG HSG 150C BLK



TE Part # 42617-2
187 FASTON REC 20-16 AWG TPBR



TE Part # 2213858-1
RECEPTACLE ASSEM., LUMAWISE
ENDURANCE S



TE Part # 796683-4
TERMI-BLOK PCB MOUNT 90 4P.



TE Part # 2328118-1
LUMAWISE ENDURANCE N
SHORTING CAP



TE Part # 2388553-3
PUSH-IN CONNECTOR, 3 POS

Documents

Product Drawings

[SEALING CAP, RCPT, LUMAWISE ENDURANCE S](#)

English

CAD Files

[3D PDF](#)

[3D](#)



Customer View Model

[ENG_CVM_CVM_2213795-2_A.2d_dxf.zip](#)

English

Customer View Model

[ENG_CVM_CVM_2213795-2_A.3d_igs.zip](#)

English

Customer View Model

[ENG_CVM_CVM_2213795-2_A.3d_stp.zip](#)

English

By downloading the CAD file I accept and agree to the [Terms and Conditions](#) of use.

Datasheets & Catalog Pages

[LUMAWISE STREET LIGHT DIMMING AND CONTROL QUICK REFERENCE GUIDE](#)

English

[Lumawise Endurance S Modules](#)

English

Product Specifications

[Application Specification](#)

English

Agency Approvals

[UL_EU_CERT_EN_61984_UL_EU_01778_M1_C1](#)

English

[CB_CERT_US_34131_M1_UL_4788988643_TR_C1](#)

English

[CB_CERT_IEC_61984_US_34131_M1_UL_C1](#)

English