

927076-1 ✓ ACTIVE

[Positive Lock](#) | [Positive Lock 250](#)

TE Internal #: 927076-1

Crimp Terminal Housings, Receptacle, Receptacle, 5 Position, Straight, UL 94V-0, Black, Polyamide, Mating Alignment, Positive Lock 250

[View on TE.com >](#)



Terminals & Splices > Terminal Housings, Insulation Sleeves & Blocks > Crimp Terminal Housings



Terminal Type: **Receptacle**

Connector & Housing Type: **Receptacle**

Number of Positions: **5**

Terminal Orientation: **Straight**

UL Flammability Rating: **UL 94V-0**

Features

Product Type Features

Sealable	No
Connector System	Wire-to-Board, Wire-to-Wire
Connector & Contact Terminates To	Wire & Cable
Connector & Housing Type	Receptacle

Configuration Features

Number of Positions	5
---------------------	---

Body Features

Primary Product Color	Black
-----------------------	-------

Contact Features

Terminal Type	Receptacle
Terminal Orientation	Straight
Contact Mating Retention	Without

Mechanical Attachment



Mating Alignment Type	Polarization
Mating Alignment	With
Connector Mounting Type	Cable Mount (Free-Hanging)

Housing Features

Housing Material	Polyamide
Centerline (Pitch)	8.4 mm, 9.5 mm [.33 in][.374 in]

Usage Conditions

Operating Temperature Range	-40 - 105 °C [-40 - 221 °F]
-----------------------------	-----------------------------

Industry Standards

UL Flammability Rating	UL 94V-0
------------------------	----------

Packaging Features

Packaging Quantity	1000
Packaging Method	Carton

Product Compliance

[For compliance documentation, visit the product page on TE.com>](#)

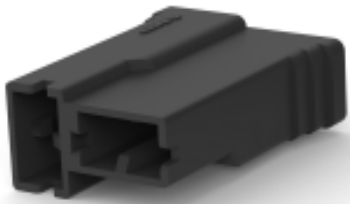

EU RoHS Directive 2011/65/EU	Compliant
EU ELV Directive 2000/53/EC	Compliant
China RoHS 2 Directive MIIT Order No 32, 2016	No Restricted Materials Above Threshold
EU REACH Regulation (EC) No. 1907/2006	Current ECHA Candidate List: JAN 2024 (240) Candidate List Declared Against: JAN 2024 (240) Does not contain REACH SVHC
Halogen Content	BFR/CFR/PVC Free, but Br/Cl >900 ppm in other sources.
Solder Process Capability	Not applicable for solder process capability

Product Compliance Disclaimer

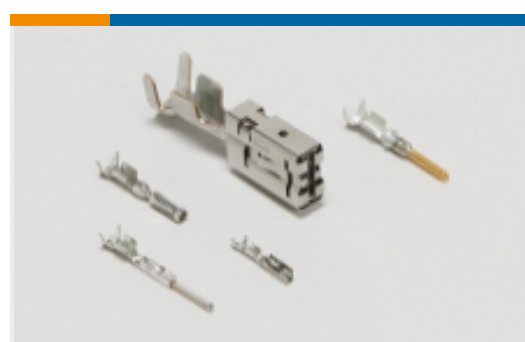
This information is provided based on reasonable inquiry of our suppliers and represents our current actual knowledge based on the information they provided. This information is subject to change. The part numbers that TE has identified as EU RoHS compliant have a maximum concentration of 0.1% by weight in homogenous materials for lead, hexavalent chromium, mercury, PBB, PBDE, DBP, BBP, DEHP, DIBP, and 0.01% for cadmium, or qualify for an exemption to these limits as defined in the Annexes of Directive 2011/65/EU (RoHS2). Finished electrical and electronic equipment products will be CE marked as required by Directive 2011/65/EU. Components may not be CE marked. Additionally, the part numbers that TE has identified as EU ELV compliant have a maximum concentration of 0.1% by weight in homogenous materials for lead, hexavalent chromium, and mercury, and 0.01% for cadmium, or qualify for an exemption to these limits as defined in the Annexes of Directive 2000/53/EC (ELV). Regarding the REACH Regulation, the information TE provides

on SVHC in articles for this part number is based on the latest European Chemicals Agency (ECHA) 'Guidance on requirements for substances in articles' posted at this URL: <https://echa.europa.eu/guidance-documents/guidance-on-reach>

Compatible Parts

 <p>TE Part # 926330-1 PL 250 REC HSG 6P NYLON BLACK</p>	 <p>TE Part # 926526-1 PL MKI 250 REC HSG 5P NYLON BLACK</p>	 <p>TE Part # 926523-1 3P.POS.LOCK HSG</p>	 <p>TE Part # 926319-1 PL 250 REC HSG 2P NYLON BLACK</p>
 <p>TE Part # 927389-2 POSITIVE LOCK 3P HOUSING PA 6.6 WHITE</p>	 <p>TE Part # 926521-2 PL 250 REC HSG 2P NYLON BLACK</p>	 <p>TE Part # 2-154719-0 250 PL EX HSG.,REC.,1P,RED</p>	 <p>TE Part # 4-154719-0 POSITIVE LOCK (PL) RECEPTACLE</p>
 <p>TE Part # 926522-1 PL 250 REC HSG 2P NYLON BLACK</p>	 <p>TE Part # 1-926522-1 PL 250 REC HSG 2P NYLON BLACK</p>	 <p>TE Part # 177627-1 PL .250 (6.3 MM) HOUSING RECEPTACLE</p>	 <p>TE Part # 365016-1 POSITIVE LOCK (PL) HSG REC</p>
 <p>TE Part # 927389-1 PL 3P HOUSING PA66 BLACK</p>	 <p>TE Part # 172433-2 250 AUTOMOTIVE POSTIVE LOCK 2P</p>	 <p>TE Part # 100100-1 2 POS POSITIVE LOCK (PL) HOUSING</p>	

Also in the Series | **Positive Lock 250**



Automotive Terminals(1)



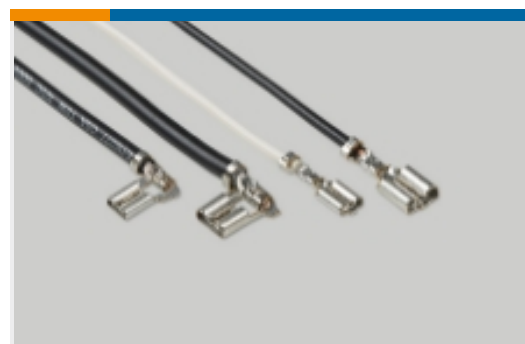
Crimp Terminal Housings(192)



Insertion & Extraction Tools(3)



Insulation Boots & Sleeves(4)

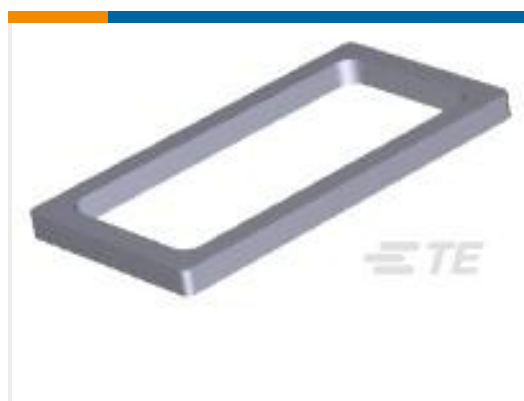


Quick Disconnects(186)

Customers Also Bought



TE Part # 1-967059-1
Timer Connector Housing



TE Part # 1-794772-0
10P MINI UMNL SEAL, DIE CUT



TE Part # 60413-1
FF 250 REC 22-18AWG TPBR



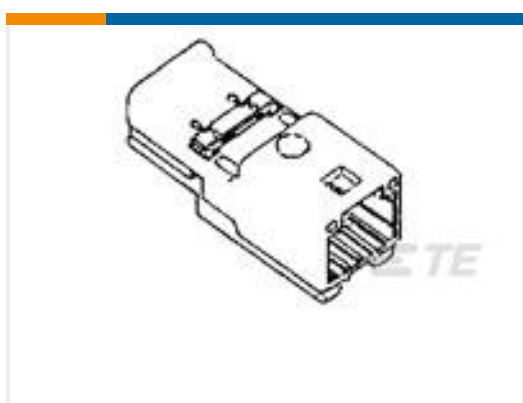
TE Part # 184046-1
4 POS. PLUG ASSY, KEY A



TE Part # 926884-1
UNIV.M-N-L.SOCKET



TE Part # 6-160448-2
FF 250 REC 1.0-2.5MM2 TPPB



TE Part # 1473793-1
025 IDC 8POS CAP ASSY W TO W



TE Part # 880397-2
FUSE CONTACT



TE Part # 184095-2
RECPT, CONTACT .070, PTPPHBZ

Documents



Product Drawings

[PL HOUSING 0.6 PA 6.6 + PE-GF13 BLACK](#)

English

CAD Files

[3D PDF](#)

3D

Customer View Model

[ENG_CVM_CVM_927076-1_J.2d_dxf.zip](#)

English

Customer View Model

[ENG_CVM_CVM_927076-1_J.3d_igs.zip](#)

English

Customer View Model

[ENG_CVM_CVM_927076-1_J.3d_stp.zip](#)

English

By downloading the CAD file I accept and agree to the [Terms and Conditions](#) of use.