

7-51863-1 ✓ ACTIVE



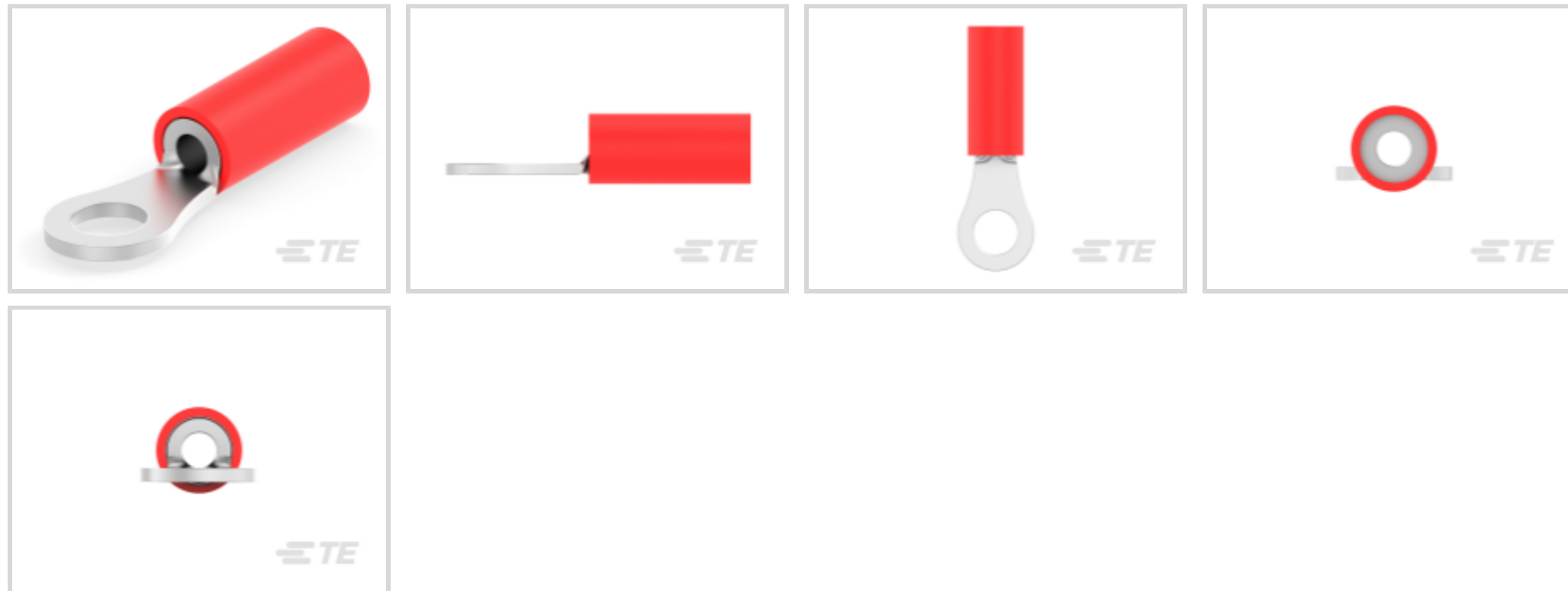
PIDG

TE Internal #: 7-51863-1

Closed Ring Tongue Terminal, 22 - 16 AWG, #6 / M3.5 Stud Size, 3.68 mm [.145 in] Stud Diameter, Closed Barrel, Straight, Tin, PIDG

[View on TE.com >](#)

Terminals & Splices > Ring Terminals > PIDG Ring Tongue Terminals



Ring Terminal Product Type: Closed Ring Tongue Terminal

Wire Size: 509 - 3260 CMA

Stud Size: #6, M3.5

[All PIDG Ring Tongue Terminals \(411\)](#)

Features

Product Type Features

Ring Terminal Product Type	Closed Ring Tongue Terminal
Stud Size	#6, M3.5
Sealable	No
Wire Insulation Support Retention Type	Insulation Support

Configuration Features

Number of Holes	1
-----------------	---

Body Features

Insulation Sleeve Color	Red
Stripe Color	Red
Product Weight	.789 g

Contact Features

Barrel Type	Closed
Terminal Orientation	Straight
Terminal Plating Material	Tin



Mechanical Attachment

Wire Insulation Support	With
-------------------------	------

Dimensions

Wire Size	509 - 3260 CMA
Stud Diameter	3.68 mm [.145 in]
Tongue Thickness	.79 mm [.031 in]
Product Length	19.86 mm [.782 in]
Compatible Insulation Diameter (Max)	3.18 mm [.125 in]
Compatible Insulation Diameter Range	2.03 - 3.18 mm [.08 - .125 in]

Usage Conditions

Insulation Option	Partially Insulated
Operating Temperature Range	105 °C [221 °F]

Operation/Application

Compatible With Wire Base Material	Copper
Compatible With Wire Plating Material	Tin

Industry Standards

Government Qualified Terminal	No
-------------------------------	----

Packaging Features

Packaging Quantity	100
Packaging Method	Loose Piece

Product Compliance

[For compliance documentation, visit the product page on TE.com>](#)

EU RoHS Directive 2011/65/EU	Compliant
EU ELV Directive 2000/53/EC	Compliant
China RoHS 2 Directive MIIT Order No 32, 2016	No Restricted Materials Above Threshold
EU REACH Regulation (EC) No. 1907/2006	Current ECHA Candidate List: JAN 2024 (240) Candidate List Declared Against: JAN 2024 (240) Does not contain REACH SVHC
Halogen Content	Low Halogen - Br, Cl, F, I < 900 ppm per homogenous material. Also BFR/CFR/PVC Free

Solder Process Capability

Not applicable for solder process capability

Product Compliance Disclaimer

This information is provided based on reasonable inquiry of our suppliers and represents our current actual knowledge based on the information they provided. This information is subject to change. The part numbers that TE has identified as EU RoHS compliant have a maximum concentration of 0.1% by weight in homogenous materials for lead, hexavalent chromium, mercury, PBB, PBDE, DBP, BBP, DEHP, DIBP, and 0.01% for cadmium, or qualify for an exemption to these limits as defined in the Annexes of Directive 2011/65/EU (RoHS2). Finished electrical and electronic equipment products will be CE marked as required by Directive 2011/65/EU. Components may not be CE marked. Additionally, the part numbers that TE has identified as EU ELV compliant have a maximum concentration of 0.1% by weight in homogenous materials for lead, hexavalent chromium, and mercury, and 0.01% for cadmium, or qualify for an exemption to these limits as defined in the Annexes of Directive 2000/53/EC (ELV). Regarding the REACH Regulation, the information TE provides on SVHC in articles for this part number is based on the latest European Chemicals Agency (ECHA) 'Guidance on requirements for substances in articles' posted at this URL: <https://echa.europa.eu/guidance-documents/guidance-on-reach>

Compatible Parts



REPRESENTATION ONLY

TE Part # 47386
 DAHT PG PIDG 26-16 ASSY



TE Part # 58433-3
 PRO CR ASSY, RBY IS9252



TE Part # 58423-1
 DIE, RBY IS9252




TE Part # 169404
 CERTI-LOK DIE




TE Part # 1SET191001R0000
 CRIMP-HT

Also in the Series | PIDG




Compression Connectors(17)



Crimp Terminal Housings(1)



Crimp Wire Pins, Tabs & Ferrules(41)



Hand Crimping Tools(2)



Knife Disconnects(11)



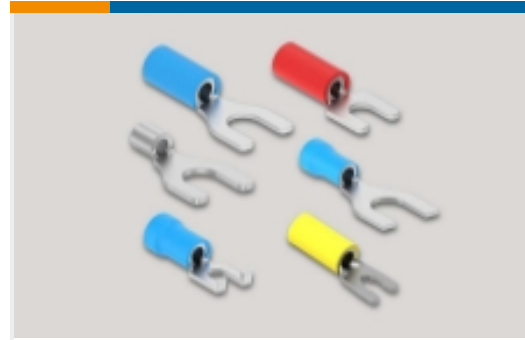
PCB Terminals(5)



Quick Disconnects(47)



Ring Terminals(589)



Spade Terminals(230)



Special Purpose Terminals(1)



Splices(43)

Customers Also Bought



TE Part # 1-5747301-6
37 RCPT SP/FMS SCRLK



TE Part # 440055-2
2.0MM,HDR,2POS,R/A



TE Part # 1879457-1
TE 2500W 1R0 5% Bracket



TE Part # 102387-3
16 MODIV HSG COMP DR .100 POL



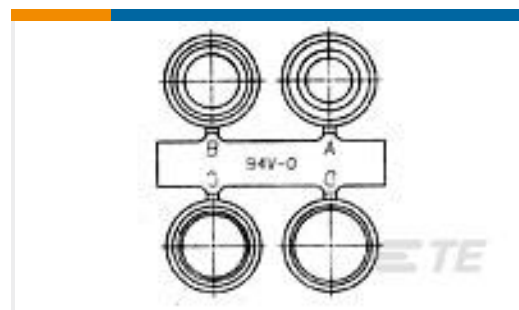
TE Part # 292207-4
MINI CT SGL DIP V 4P NAT



TE Part # 2-1393253-9
W68-X2Q12-10=M6/M7/M9/W6/W7



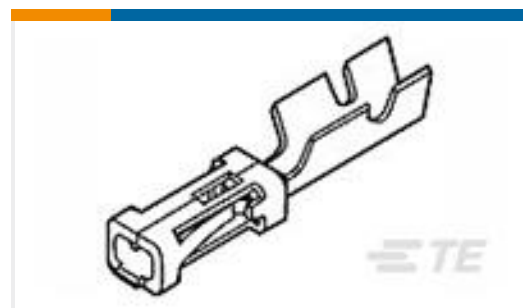
TE Part # 1624112-4
3650 0603 27nH 5% 2K RL



TE Part # 747973-1
GROMMET ASSORTMENT, SZ 3,4 & 5



TE Part # 1-2176342-4
CRGCO 0805 150R 5%



TE Part # 102548-6
MOD IV RECP LP

Documents



Product Drawings

[PIDG R 22-16 COMM 22-18 MIL 6](#)

English

CAD Files

[3D PDF](#)

3D

Customer View Model

[ENG_CVM_CVM_7-51863-1_AC.2d_dxf.zip](#)

English

Customer View Model

[ENG_CVM_CVM_7-51863-1_AC.3d_igs.zip](#)

English

Customer View Model

[ENG_CVM_CVM_7-51863-1_AC.3d_stp.zip](#)

English

By downloading the CAD file I accept and agree to the [Terms and Conditions](#) of use.

Agency Approvals

[UL Report](#)

English