



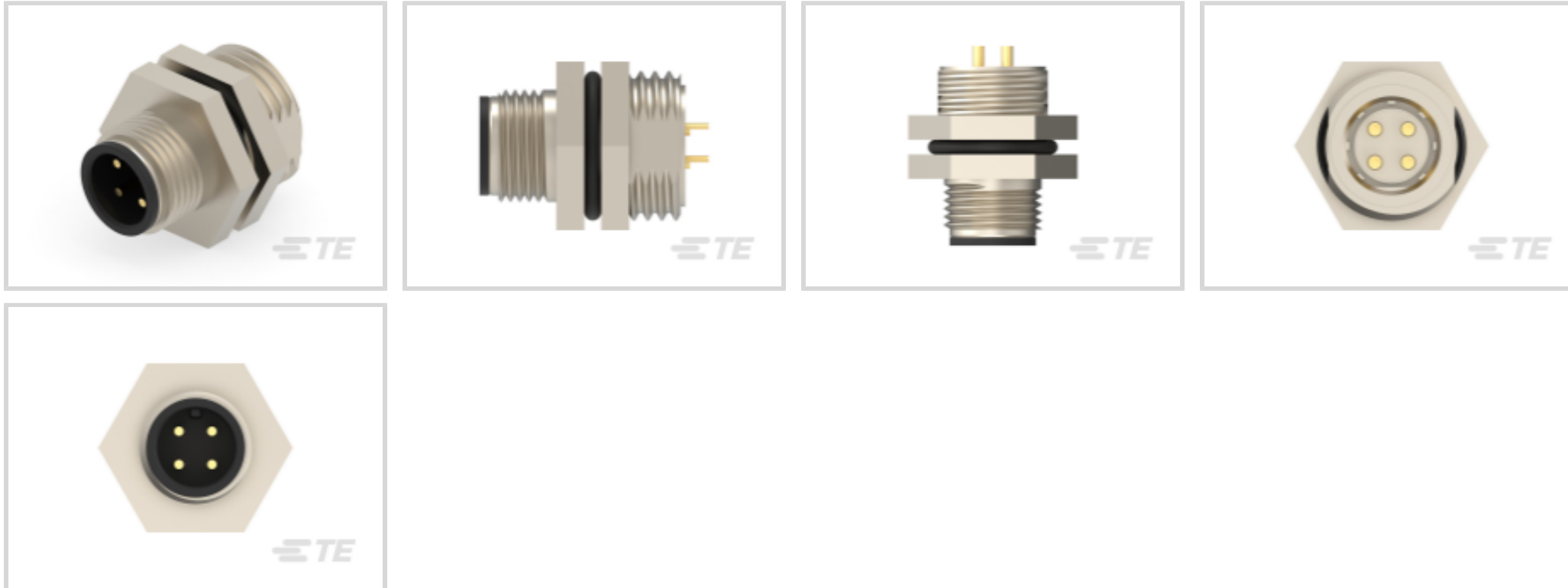
**M12 Connector**

TE Internal #: 1838893-2

Standard Circular Connectors, Wire-to-Panel, 4 Position, Sealable, Printed Circuit Board, Signal, Panel Mount, Reverse Gender, Nickel, M12 Connector

[View on TE.com >](#)

Connectors > Circular Connectors > Standard Circular Connectors



Connector System: **Wire-to-Panel**

Connector Mounting Type: **Panel Mount**

Number of Positions: **4**

Sealable: **Yes**

Connector & Contact Terminates To: **Printed Circuit Board**

**Features**

**Product Type Features**

Product Type	Connector Assembly
Connector System	Wire-to-Panel
Sealable	Yes
Connector & Contact Terminates To	Printed Circuit Board
Circular Connector Type	Plug
Shell Type	Metal

**Configuration Features**

Number of Positions	4
Number of Power Positions	0
Number of Signal Positions	4
Contacts Preloaded	Yes

**Electrical Characteristics**

Operating Voltage	500 VAC
-------------------	---------

**Body Features**



Environmental Protection Type	Sealed
Environmental Protection	With
Shell Plating Material	Nickel
Shell Base Material	Brass
Circular Connector Insulation Material Type	Polyamide

### Contact Features

Contact Current Rating (Max)	5 A
Reverse Gender	Yes
Contact Layout Arrangement	Circular
Circular Connector Contact Type	Pin

### Mechanical Attachment

Connector Mounting Type	Panel Mount
Polarization Code	A
Mating Alignment Type	Keyed
Mating Retention	With

### Dimensions

Wire Size	.325 mm <sup>2</sup>
-----------	----------------------

### Usage Conditions

Operating Temperature Range	-25 - 90 °C[-13 - 194 °F]
-----------------------------	---------------------------

### Operation/Application

Circuit Application	Signal
Shielded	No

### Packaging Features

Packaging Quantity	50
--------------------	----

### Other

Field Serviceable	No
-------------------	----

### Product Compliance

[For compliance documentation, visit the product page on TE.com>](#)

EU RoHS Directive 2011/65/EU	Compliant with Exemptions
EU ELV Directive 2000/53/EC	Compliant



China RoHS 2 Directive MIIT Order No 32, 2016	Restricted Materials Above Threshold
EU REACH Regulation (EC) No. 1907/2006	Current ECHA Candidate List: JAN 2024 (240) Candidate List Declared Against: JAN 2024 (240) SVHC > Threshold: Pb (2.95% in Component Part) <b>Article Safe Usage Statements:</b> Do not eat, drink or smoke when using this product. Wash thoroughly after handling. Recycle if possible and dispose of the article by following all applicable governmental regulations relevant to your geographic location.
Halogen Content	Not Low Halogen - contains Br or Cl > 900 ppm.
Solder Process Capability	Not applicable for solder process capability

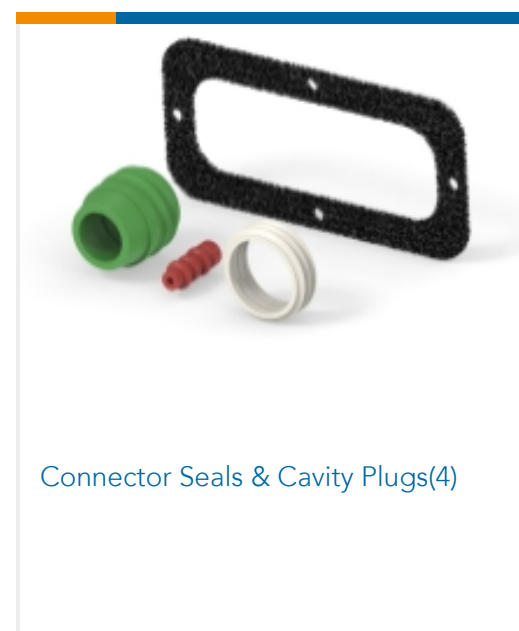
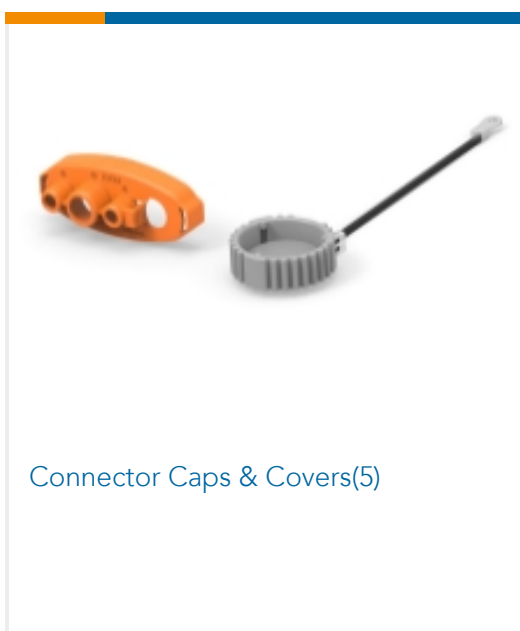
Product Compliance Disclaimer

This information is provided based on reasonable inquiry of our suppliers and represents our current actual knowledge based on the information they provided. This information is subject to change. The part numbers that TE has identified as EU RoHS compliant have a maximum concentration of 0.1% by weight in homogenous materials for lead, hexavalent chromium, mercury, PBB, PBDE, DBP, BBP, DEHP, DIBP, and 0.01% for cadmium, or qualify for an exemption to these limits as defined in the Annexes of Directive 2011/65/EU (RoHS2). Finished electrical and electronic equipment products will be CE marked as required by Directive 2011/65/EU. Components may not be CE marked. Additionally, the part numbers that TE has identified as EU ELV compliant have a maximum concentration of 0.1% by weight in homogenous materials for lead, hexavalent chromium, and mercury, and 0.01% for cadmium, or qualify for an exemption to these limits as defined in the Annexes of Directive 2000/53/EC (ELV). Regarding the REACH Regulation, the information TE provides on SVHC in articles for this part number is based on the latest European Chemicals Agency (ECHA) 'Guidance on requirements for substances in articles' posted at this URL: <https://echa.europa.eu/guidance-documents/guidance-on-reach>

## Compatible Parts



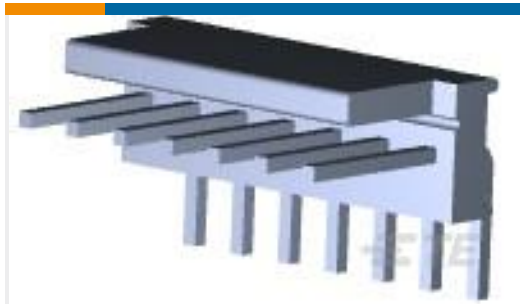
## Also in the Series | M12 Connector



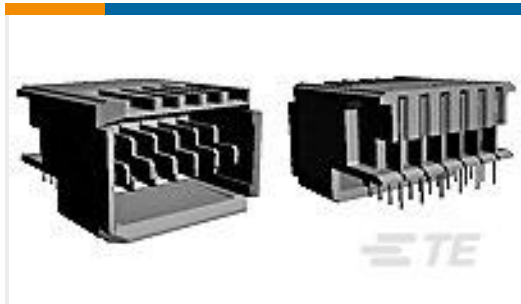


Standard Circular Connectors(803)

## Customers Also Bought



TE Part # 640455-7  
07P MTA100 HDR ASSY SQ R/A POL



TE Part # 120956-1  
UPM EXPANDED PIN ASSEMBLY



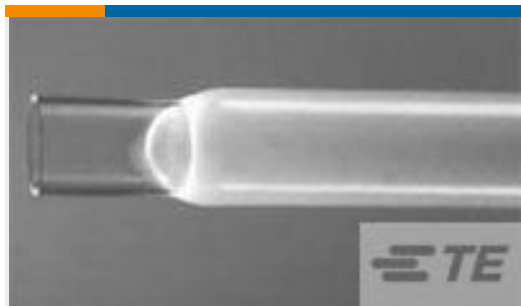
TE Part # 1-1623774-3  
C14 100K 5% (LOOSE)



TE Part # 165346  
PIDG/PG. INTRO.KIT



TE Part # 3-643815-7  
07P MTA100 CONN ASSY POL RIB



TE Part # 5960062001  
TFER-5/8-X-STK



TE Part # 2180830-2  
SW, HDR, 4x6, Thck, Sn

## Documents

### Product Drawings

M12 Mtl MALE PNL CONN. Sldr Rear (Hex)

English

### CAD Files

Customer View Model

[ENG\\_CVM\\_1838893-2\\_C.3d\\_igs.zip](#)

English

Customer View Model

[ENG\\_CVM\\_1838893-2\\_C.3d\\_stp.zip](#)

English

Customer View Model

[ENG\\_CVM\\_1838893-2\\_C.2d\\_dxf.zip](#)

English

### 3D PDF

English

Customer View Model



[ENG\\_CVM\\_CVM\\_1838893-2\\_D.3d\\_stp.zip](#)

English

**Customer View Model**

[ENG\\_CVM\\_CVM\\_1838893-2\\_D.2d\\_dxf.zip](#)

English

**Customer View Model**

[ENG\\_CVM\\_CVM\\_1838893-2\\_D.3d\\_igs.zip](#)

English

**3D PDF**

3D

By downloading the CAD file I accept and agree to the [Terms and Conditions](#) of use.

---

### Datasheets & Catalog Pages

[M8 / M12 Connector System Catalog](#)

English

---

### Product Specifications

[Application Specification](#)

English