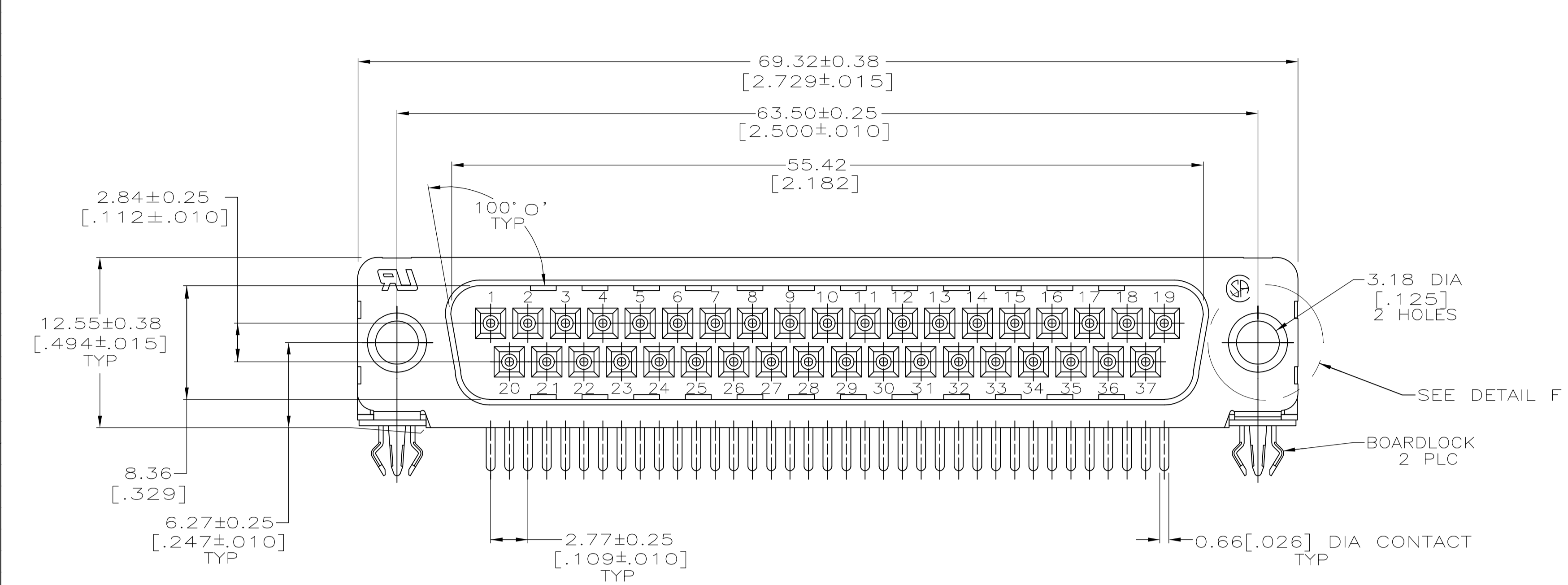
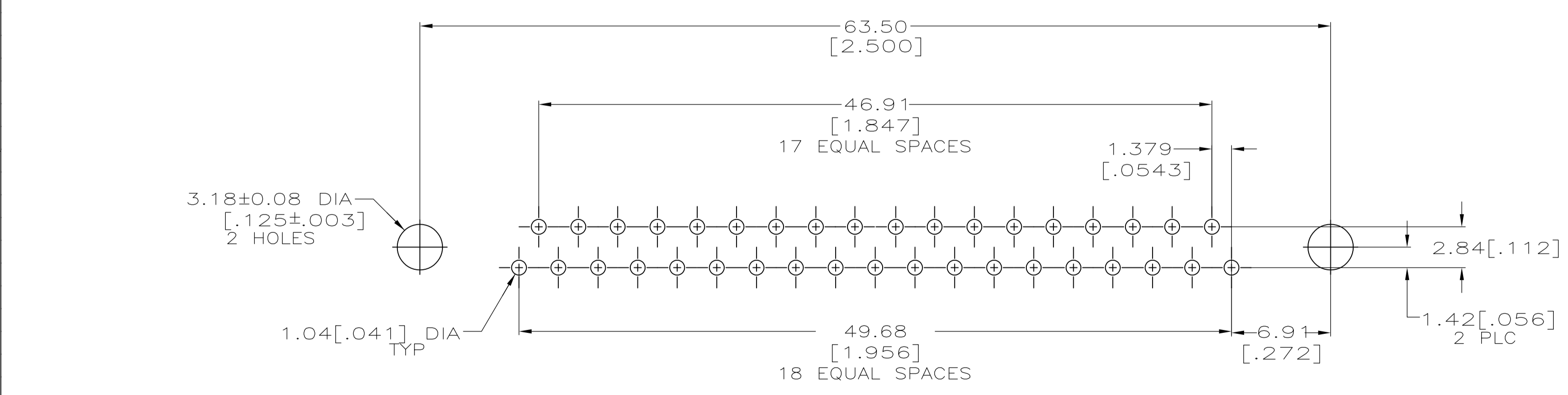
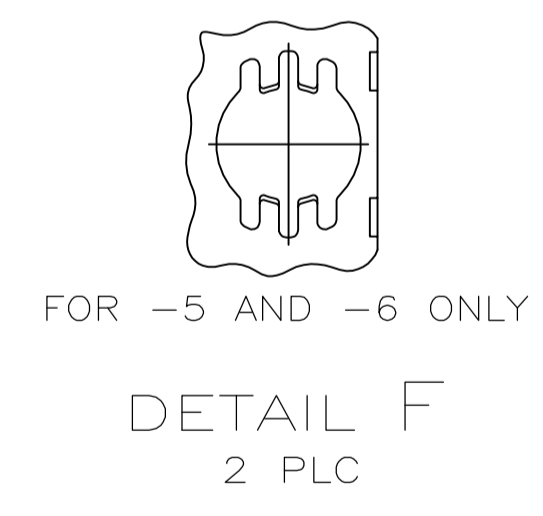
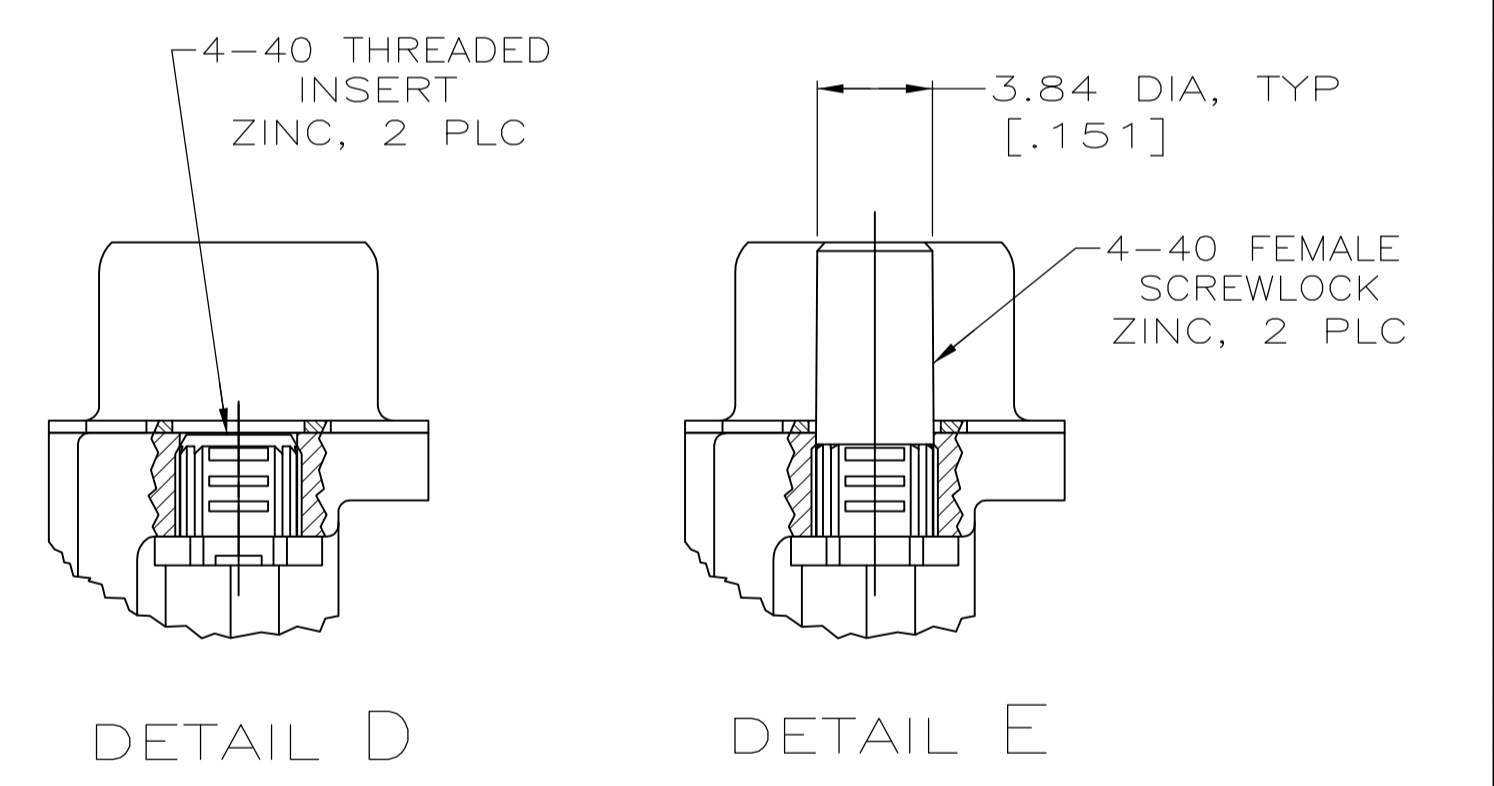
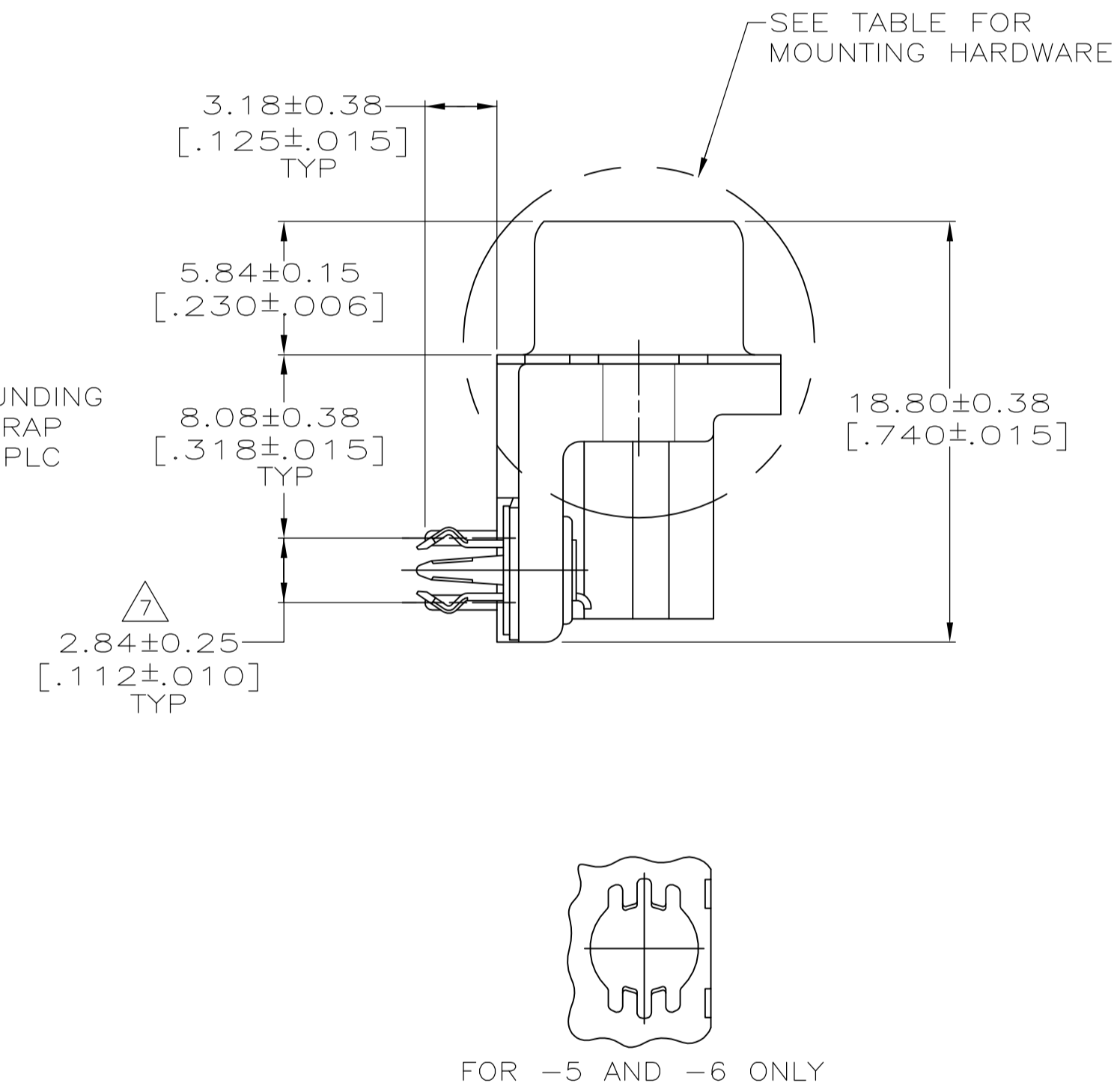
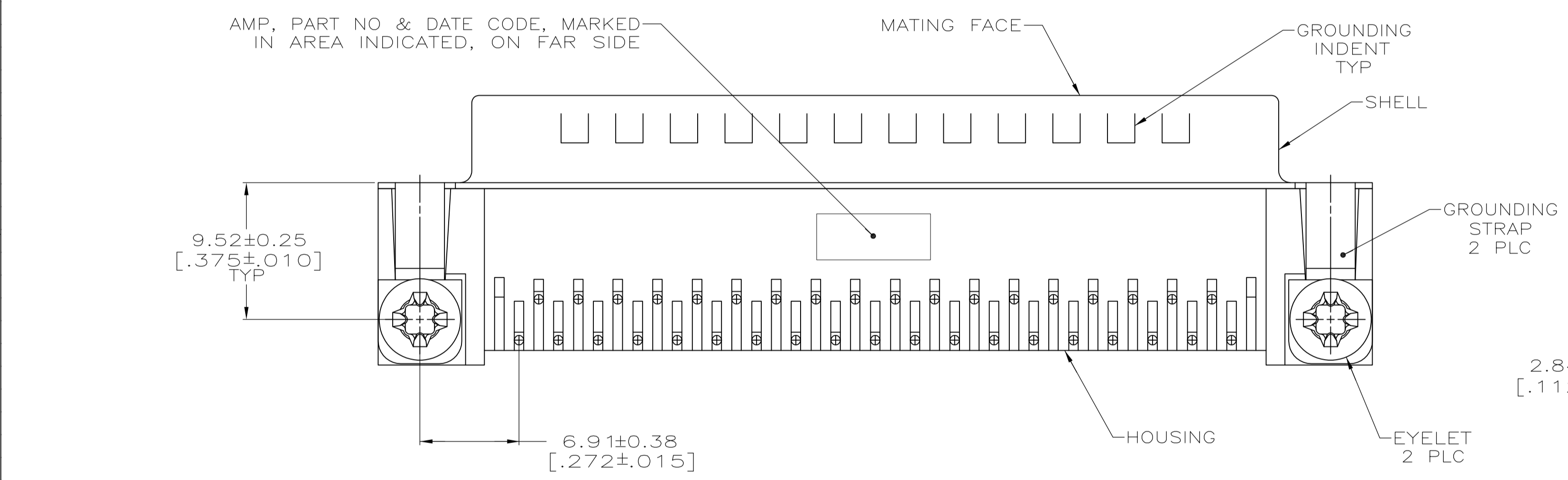


LOC		DIST		REVISIONS			
GP	00	REV	DATE	BY	APPV	DATE	BY
U		REVISED PER ECO-12-022391	02JAN2013	CJV	SLB		



- ① HOUSING: NYLON OR POLYESTER, FLAME RETARDANT 94V-0 RATED, GLASS FILLED, BLACK.
SHELLS: CARBON STEEL.
CONTACTS: BRASS.
BOARDLOCKS: COPPER ALLOY.
EYELETS: BRASS.
- ② SHELLS: 2.54µm[.000100] MIN TIN OVER 1.27µm[.000050] MIN COPPER.
EYELETS: 5.08µm[.000200] MIN TIN OVER COPPER FLASH.
CONTACTS AND BOARDLOCKS: SEE TABLE.
INSERTS AND BOARDLOCKS: CLEAR CHROMATE.
- ③ GOLD FLASH ON THE MATING SURFACES, 2.54µm[.000100] MIN TIN OR TIN-LEAD PLATE ON THE SOLDER END, 1.27µm[.000050] MIN NICKEL UNDERPLATE ON THE ENTIRE CONTACT.
- ④ 0.76µm[.000030] MIN GOLD PLATE ON THE MATING SURFACES, 2.54µm[.000100] MIN TIN OR TIN-LEAD PLATE ON THE SOLDER END, 1.27µm[.000050] MIN NICKEL UNDERPLATE ON THE ENTIRE CONTACT
-OR-
GOLD FLASH OVER PALLADIUM-NICKEL PLATE, 0.76µm[.000030] MIN TOTAL ON THE MATING SURFACES, 2.54µm[.000100] MIN TIN OR TIN-LEAD PLATE ON THE SOLDER END, 1.27µm[.000050] MIN NICKEL UNDERPLATE ON THE ENTIRE CONTACT.
- ⑤ 5.08µm[.000200] MIN TIN-LEAD OVER 1.27µm[.000050] MIN NICKEL.
- ⑥ 5.08µm[.000200] MIN TIN OVER 1.27µm[.000050] MIN NICKEL.
- ⑦ DIMENSION APPLIES FROM CENTER OF CONTACTS.
- ⑧ OBSOLETE PARTS: OBSOLETE CIS STREAMLINING PER D.RENAUD/D.SINISI



RECOMMENDED P.C. BOARD MOUNTING DIMENSIONS
P.C. BOARD THICKNESS: 1.57[.062]

REV	DESCRIPTION	DATE	BY	APPV
8	SEE DETAIL E	05-OCT-89	W.G. LENKER	
7	SEE DETAIL D	05-FEB-90	R. STONE	
6	SEE DETAIL E	06-FEB-90	M.D. GALLOWAY	
5	SEE DETAIL E			
4	SEE DETAIL D			
3	SEE DETAIL E			
2	SEE DETAIL D			
1	SEE DETAIL E			

MOUNTING HARDWARE	BOARDLOCK FINISH	CONTACT FINISH	PART NUMBER
⑧	⑥	④	-6-747843-9
⑧	⑥	④	-6-747843-8
⑧	⑥	④	6-747843-7
⑧	⑥	④	747843-6
⑧	⑥	③	747843-5
⑧	⑥	④	747843-4
⑧	⑥	③	747843-3
⑧	⑥	④	747843-2
⑧	⑥	③	747843-1

SUPERCEDED BY 5747843-3

THIS DRAWING IS A CONTROLLED DOCUMENT. DIMENSIONING AND TOLERANCING PER ASME Y14.5M-2009.

W.G. LENKER 05-OCT-89
R. STONE 05-FEB-90
M.D. GALLOWAY 06-FEB-90

APPROVED: M.D. GALLOWAY
DATE: 06-FEB-90

PRODUCT SPEC: 108-40025
APPLICATION SPEC: 114-40010

RIGHT ANGLE, FRONT METAL SHELL, .318 SERIES, BOARDLOCKS, AMPLIMITE® HD-20

SIZE: A1
SCALE: 4:1
SHEET: 1 OF 1
REV: U

STE TE Connectivity