

284743-1 ACTIVE

AMP | MQS

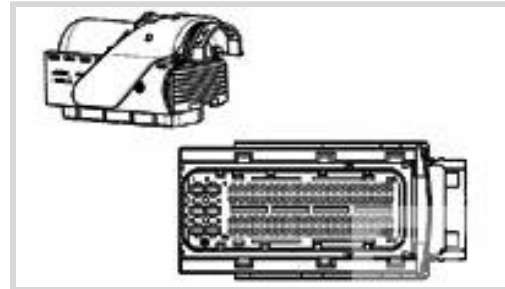
TE Internal #: 284743-1

Housing for Female Terminals, Wire-to-Board, 94 Position, .205 in / .098 in [5.2 mm / 2.5 mm] Centerline, Sealable, Black, Wire & Cable, MQS

[View on TE.com >](#)



Connectors > Automotive Connectors > Automotive Housings > MQS, CONNECTOR HOUSING



Connector System: **Wire-to-Board**

Number of Positions: **94**

Connector & Housing Type: **Housing for Female Terminals**

Centerline (Pitch): **2.5 mm, 5.2 mm [.098 in, .205 in]**

Sealable: **Yes**

[All MQS, CONNECTOR HOUSING \(435\)](#)

Features

Product Type Features

Mixed & Hybrid Connector	Yes
Connector Shape	Rectangular
Connector System	Wire-to-Board
Connector & Housing Type	Housing for Female Terminals
Sealable	Yes
Connector & Contact Terminates To	Wire & Cable
Primary Locking Feature	Integrated in Housing

Configuration Features

Number of Positions	94
Number of Rows	4

Electrical Characteristics

Operating Voltage	24 VDC
Nominal Voltage Architecture	12 V, 24 V

Body Features

Cable Exit Angle	90°
Primary Product Color	Black



Contact Features

Contact Size	.64mm, 1.5mm, 2.8K
Contact Type	Receptacle
Mating Tab Width	.63 mm, 1.5 mm, 2.8 mm [.025 in][.06 in][.11 in]
Contact Current Rating (Max)	3.5 A, 6 A, 7.5 A, 11 A, 14 A, 20 A

Mechanical Attachment

Terminal Position Assurance	Yes
Strain Relief	Without
Mating Alignment Type	Polarization Slot
Mating Alignment	With
Connector Mounting Type	Cable Mount (Free-Hanging)

Housing Features

Housing Material	PA GF
Centerline (Pitch)	2.5 mm, 5.2 mm [.098 in][.205 in]

Dimensions

Connector Height	74.3 mm [2.925 in]
Product Width	46 mm [1.811 in]
Product Length	97 mm [3.819 in]
Row-to-Row Spacing	5 mm [.197 in]

Usage Conditions

Operating Temperature (Max)	120 °C [257 °F]
Operating Temperature Range	-40 - 125 °C [-40 - 257 °F]

Operation/Application

Circuit Application	Power & Signal
---------------------	----------------

Packaging Features

Packaging Method	Box
------------------	-----

Other

Serviceable	Yes
Connector Position Assurance Capable	Yes

Product Compliance

For compliance documentation, visit the product page on [TE.com](https://www.te.com)>




EU RoHS Directive 2011/65/EU	Compliant
EU ELV Directive 2000/53/EC	Compliant
China RoHS 2 Directive MIIT Order No 32, 2016	No Restricted Materials Above Threshold
EU REACH Regulation (EC) No. 1907/2006	Current ECHA Candidate List: JAN 2024 (240) Candidate List Declared Against: JAN 2024 (240) Does not contain REACH SVHC
Halogen Content	BFR/CFR/PVC Free, but Br/Cl >900 ppm in other sources.
Solder Process Capability	Not applicable for solder process capability

Product Compliance Disclaimer

This information is provided based on reasonable inquiry of our suppliers and represents our current actual knowledge based on the information they provided. This information is subject to change. The part numbers that TE has identified as EU RoHS compliant have a maximum concentration of 0.1% by weight in homogenous materials for lead, hexavalent chromium, mercury, PBB, PBDE, DBP, BBP, DEHP, DIBP, and 0.01% for cadmium, or qualify for an exemption to these limits as defined in the Annexes of Directive 2011/65/EU (RoHS2). Finished electrical and electronic equipment products will be CE marked as required by Directive 2011/65/EU. Components may not be CE marked. Additionally, the part numbers that TE has identified as EU ELV compliant have a maximum concentration of 0.1% by weight in homogenous materials for lead, hexavalent chromium, and mercury, and 0.01% for cadmium, or qualify for an exemption to these limits as defined in the Annexes of Directive 2000/53/EC (ELV). Regarding the REACH Regulation, the information TE provides on SVHC in articles for this part number is based on the latest European Chemicals Agency (ECHA) 'Guidance on requirements for substances in articles' posted at this URL: <https://echa.europa.eu/guidance-documents/guidance-on-reach>

Compatible Parts

 <p>TE Part # 828922-1 2,5MM CAVITY PLUG FOR 5,4MM DI</p>	 <p>TE Part # 963293-1 SEALING F JPT+2,8</p>	 <p>TE Part # 963292-1 WIRE SEALING 2,2</p>	 <p>TE Part # 963294-1 SINGLE WIRE SEAL INSULATION DI</p>
 <p>TE Part # CAT-AM705-T273 AMP MCP, RECEPTACLE AND TAB</p>	 <p>TE Part # CAT-M8793-T273 MQS, RECEPTACLE AND TAB</p>	 <p>TE Part # 1394872-1 SEALING PLUG 1,5MM</p>	 <p>TE Part # 284583-1 CAVITY PLUG FOR 64 POS CONNECT</p>



TE Part # 2-1355125-1
MQS AUFNAHMEGEH 94P



TE Part # 4-284871-6
MULTIPLE CAVITY MASK FOR 94 POS. CONN.



TE Part # 5-284871-2
MULTIPLE CAVITY MASK FOR 94 POS. CONN.



TE Part # 5-284871-3
94POS,MQS CB,CAVITY BLOCK, COLOR BLACK



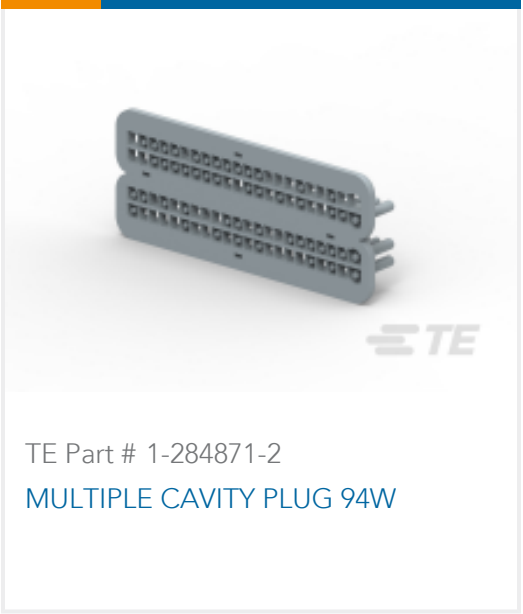
TE Part # 284617-1
154pos hybrid MQS .63 header 90deg sld.



TE Part # 284724-1
CPA FOR 60 AND 94 CONNECTORS



TE Part # 284722-1
COVER FOR 94 POS. RECEPTACLE HOUSING



TE Part # 1-284871-2
MULTIPLE CAVITY PLUG 94W



TE Part # 2-284871-2
MULTIPLE CAVITY MASK 94 WAYS



TE Part # 2-284871-3
MULTIPLE CAVITY MASK 94W

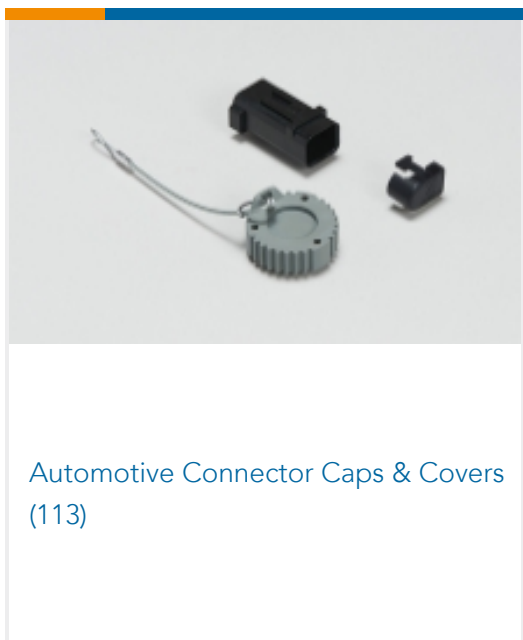


TE Part # 2-284871-5
MULTIPLE CAVITY PLUG 94W

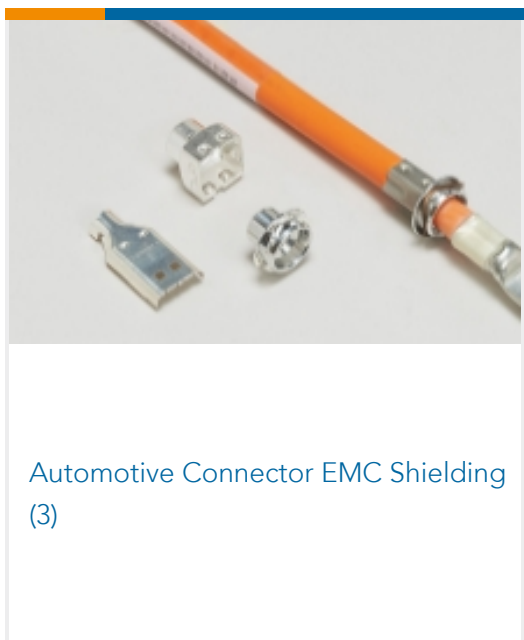


TE Part # 2-284871-7
MULTIPLE CAVITY MASK FOR 94 POS. CONN.

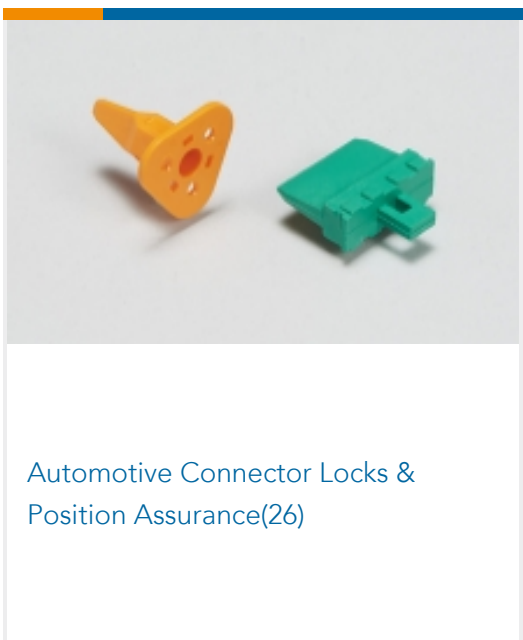
Also in the Series | MQS



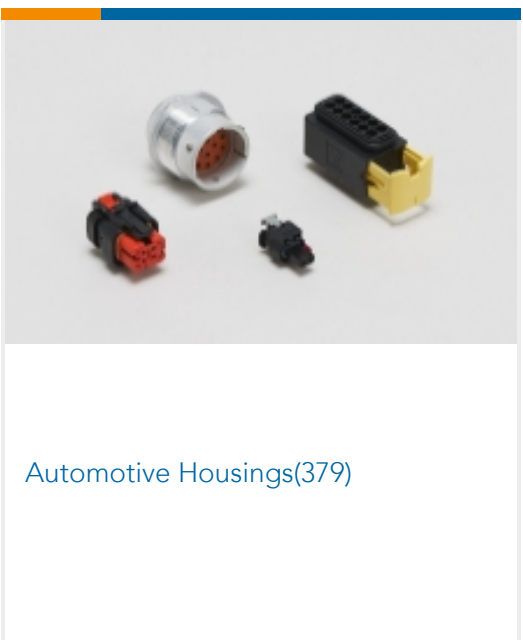
Automotive Connector Caps & Covers (113)



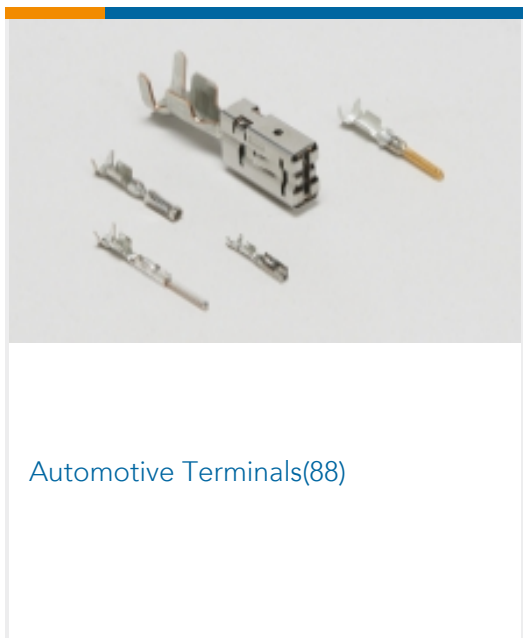
Automotive Connector EMC Shielding (3)



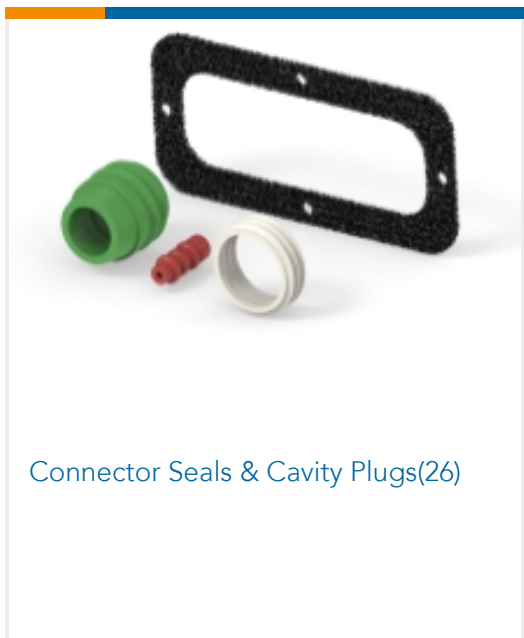
Automotive Connector Locks & Position Assurance(26)



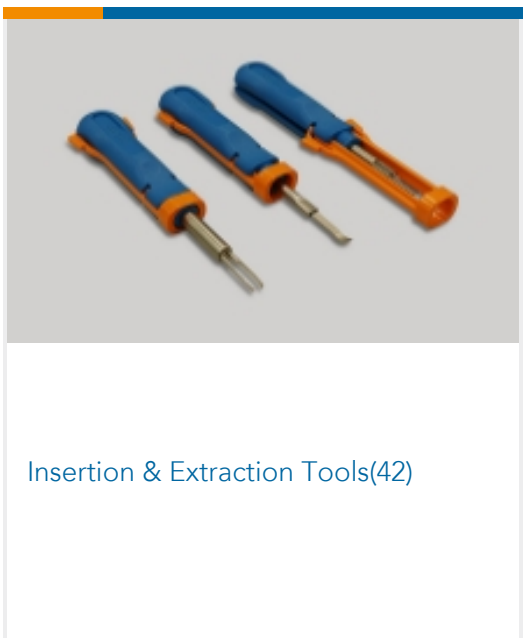
Automotive Housings(379)



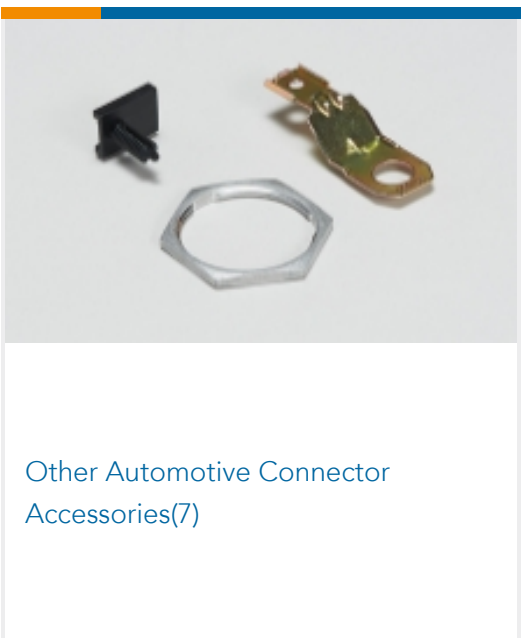
Automotive Terminals(88)



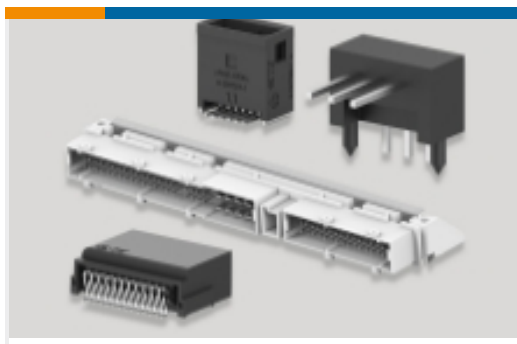
Connector Seals & Cavity Plugs(26)



Insertion & Extraction Tools(42)

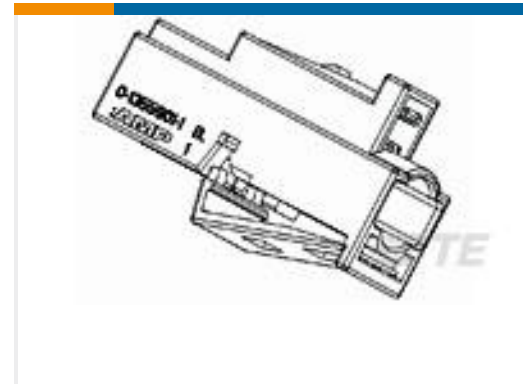
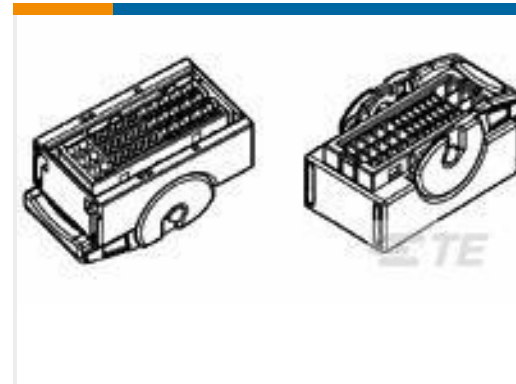
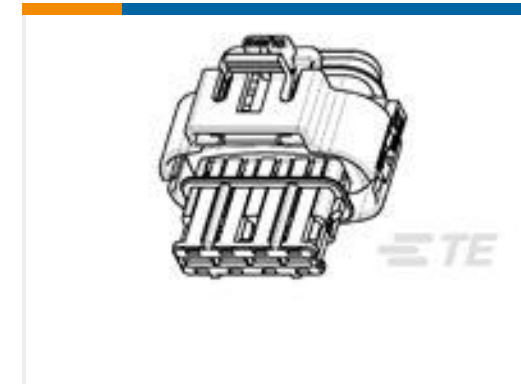
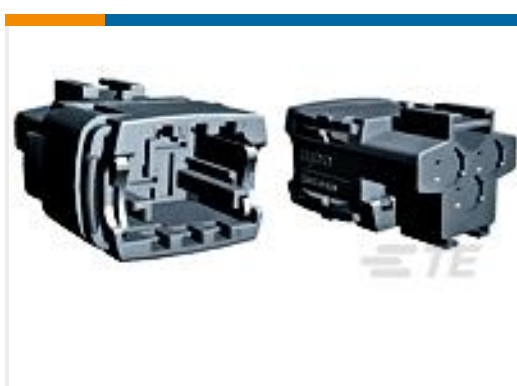


Other Automotive Connector Accessories(7)



PCB Headers & Receptacles(143)

Customers Also Bought

TE Part # 5-968221-1
MQS0,63 Sn rec CB unseal. 0,5-0,75TE Part # 1355901-1
MCP9,5 BU-GEH 1PTE Part # 1743089-2
LIF HYB 39P PLUG ASSY BLKTE Part # 1480968-1
ASSY 4 POSN. 2,8MM REC.TE Part # 144479-1
Timer Connector HousingTE Part # 1-2819196-1
3 W ABS CABLE ASSY MBB 9.000TE Part # 1-2819196-8
3 W ABS CABLE ASSY MBB 9.000TE Part # 3-2819195-5
2 W ABS CABLE ASSY MBB 8.000TE Part # 1544226-2
PL 3V 6,35 MM NG1

Documents

Product Drawings

[94POS MIXED MQS REC SEALED](#)

English

CAD Files

Customer View Model

[ENG_CVM_CVM_284743-1_E.2d_dxf.zip](#)

English

[3D PDF](#)



3D

Customer View Model

[ENG_CVM_CVM_284743-1_E.3d_igs.zip](#)

English

Customer View Model

[ENG_CVM_CVM_284743-1_E.3d_stp.zip](#)

English

By downloading the CAD file I accept and agree to the [Terms and Conditions](#) of use.

Datasheets & Catalog Pages

[Micro Quadlok Interconnection System \(MQS\)](#)

English

Product Specifications

[Product Specification](#)

English

Instruction Sheets

[Instruction Sheet \(non U.S.\)](#)

English