



Connectors > Connector Accessories > Connector Strain Relief



Strain Relief Accessory Type: **Boot**

Primary Product Material: **Elastomer**

Primary Product Color: **Black**

Shielded: **No**

Sealable: **No**

Features

Product Type Features

Strain Relief Accessory Type	Boot
Sealable	No

Body Features

Primary Product Material	Elastomer
Primary Product Color	Black

Usage Conditions

Operating Temperature Range	-40 - 12 °C[-40 - 257 °F]
-----------------------------	---------------------------

Operation/Application

Shielded	No
----------	----

Packaging Features

Packaging Method	Package
Packaging Quantity	1000

Product Compliance

[For compliance documentation, visit the product page on TE.com>](#)

EU RoHS Directive 2011/65/EU	Compliant
EU ELV Directive 2000/53/EC	Compliant
China RoHS 2 Directive MIIT Order No 32, 2016	No Restricted Materials Above Threshold
EU REACH Regulation (EC) No. 1907/2006	

Current ECHA Candidate List: JAN 2024
(240)

Candidate List Declared Against: JAN 2024
(240)

Does not contain REACH SVHC

Halogen Content

Low Halogen - Br, Cl, F, I < 900 ppm per homogenous material. Also BFR/CFR/PVC Free

Solder Process Capability

Not applicable for solder process capability

Product Compliance Disclaimer

This information is provided based on reasonable inquiry of our suppliers and represents our current actual knowledge based on the information they provided. This information is subject to change. The part numbers that TE has identified as EU RoHS compliant have a maximum concentration of 0.1% by weight in homogenous materials for lead, hexavalent chromium, mercury, PBB, PBDE, DBP, BBP, DEHP, DIBP, and 0.01% for cadmium, or qualify for an exemption to these limits as defined in the Annexes of Directive 2011/65/EU (RoHS2). Finished electrical and electronic equipment products will be CE marked as required by Directive 2011/65/EU. Components may not be CE marked. Additionally, the part numbers that TE has identified as EU ELV compliant have a maximum concentration of 0.1% by weight in homogenous materials for lead, hexavalent chromium, and mercury, and 0.01% for cadmium, or qualify for an exemption to these limits as defined in the Annexes of Directive 2000/53/EC (ELV). Regarding the REACH Regulation, the information TE provides on SVHC in articles for this part number is based on the latest European Chemicals Agency (ECHA) 'Guidance on requirements for substances in articles' posted at this URL: <https://echa.europa.eu/guidance-documents/guidance-on-reach>

Compatible Parts



TE Part # 282106-1
AMP SUPERSEAL 1.5 SERIES 4P CA



TE Part # 2316579-1
HYB 69P RIGHT RETAINER

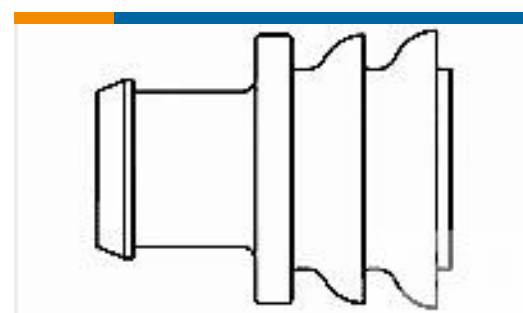


TE Part # 2316589-1
HYB 69P BOTTOM RETAINER

Customers Also Bought



TE Part # 4-1670901-1
12POS,AMP MCP2.8,REC HSG,ASSY



TE Part # 281934-2
SINGLE WIRE SEAL



TE Part # CB88166002
RBK-VWS-125-NR1-X-100MM



TE Part # 1456987-1
2x4 Fem unsealed LP assy Key A



Documents

Product Drawings

BOOT 4 POSN HSG

English

CAD Files

Customer View Model

[ENG_CVM_493581-1_A.3d_igs.zip](#)

English

Customer View Model

[ENG_CVM_493581-1_A.3d_stp.zip](#)

English

Customer View Model

[ENG_CVM_493581-1_A.2d_dxf.zip](#)

English

3D PDF

English

By downloading the CAD file I accept and agree to the [Terms and Conditions](#) of use.