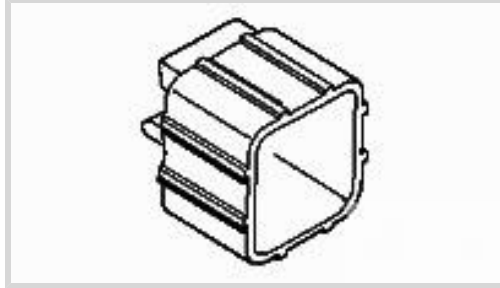




Connectors > Automotive Connectors > Automotive Connector Accessories > Automotive Connector Locks & Position Assurance



Connector & Contact Retention Accessory Type: **TPA (Terminal Position Assurance)**

Primary Product Color: **Yellow**

Primary Product Material: **PBT**

Operating Temperature Range: **-30 - 105 °C [-22 - 221 °F]**

Features

Product Type Features

Connector & Contact Retention Accessory Type	TPA (Terminal Position Assurance)
--	-----------------------------------

Body Features

Primary Product Color	Yellow
Primary Product Material	PBT

Usage Conditions

Operating Temperature Range	-30 - 105 °C[-22 - 221 °F]
-----------------------------	----------------------------

Industry Standards

UL Flammability Rating	UL 94V-2
------------------------	----------

Packaging Features

Packaging Quantity	100
Packaging Method	Bag

Other

Serviceable	Yes
-------------	-----

Product Compliance

[For compliance documentation, visit the product page on TE.com>](#)

EU RoHS Directive 2011/65/EU	Compliant
EU ELV Directive 2000/53/EC	Compliant



China RoHS 2 Directive MIIT Order No 32, 2016	No Restricted Materials Above Threshold
EU REACH Regulation (EC) No. 1907/2006	Current ECHA Candidate List: JAN 2024 (240) Candidate List Declared Against: JAN 2024 (240) Does not contain REACH SVHC
Halogen Content	Not Low Halogen - contains Br or Cl > 900 ppm.
Solder Process Capability	Not applicable for solder process capability

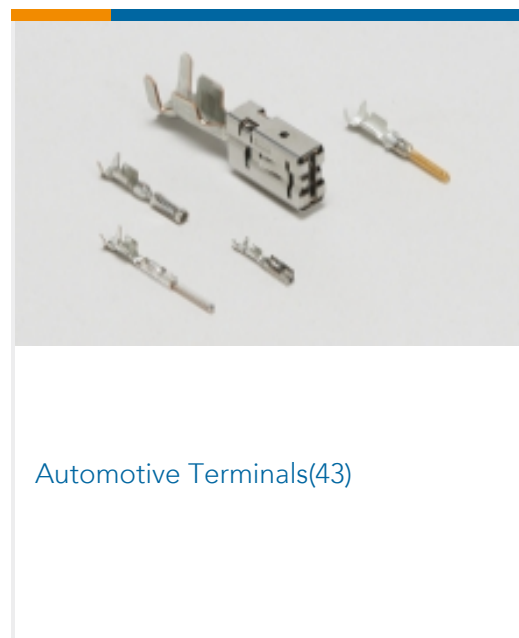
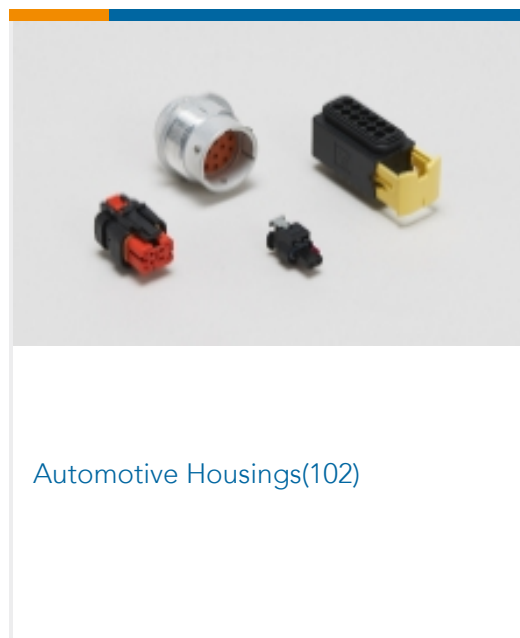
Product Compliance Disclaimer

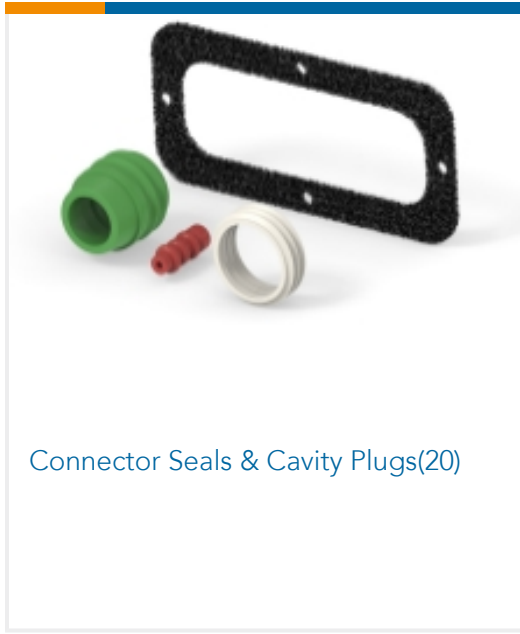
This information is provided based on reasonable inquiry of our suppliers and represents our current actual knowledge based on the information they provided. This information is subject to change. The part numbers that TE has identified as EU RoHS compliant have a maximum concentration of 0.1% by weight in homogenous materials for lead, hexavalent chromium, mercury, PBB, PBDE, DBP, BBP, DEHP, DIBP, and 0.01% for cadmium, or qualify for an exemption to these limits as defined in the Annexes of Directive 2011/65/EU (RoHS2). Finished electrical and electronic equipment products will be CE marked as required by Directive 2011/65/EU. Components may not be CE marked. Additionally, the part numbers that TE has identified as EU ELV compliant have a maximum concentration of 0.1% by weight in homogenous materials for lead, hexavalent chromium, and mercury, and 0.01% for cadmium, or qualify for an exemption to these limits as defined in the Annexes of Directive 2000/53/EC (ELV). Regarding the REACH Regulation, the information TE provides on SVHC in articles for this part number is based on the latest European Chemicals Agency (ECHA) 'Guidance on requirements for substances in articles' posted at this URL: <https://echa.europa.eu/guidance-documents/guidance-on-reach>

Compatible Parts

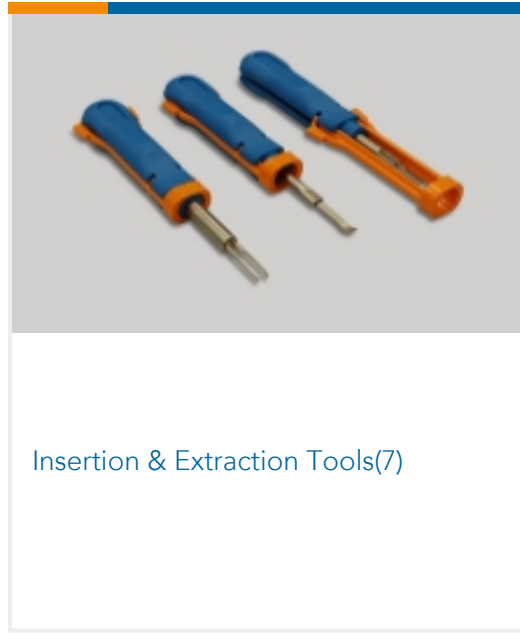


Also in the Series | Econoseal

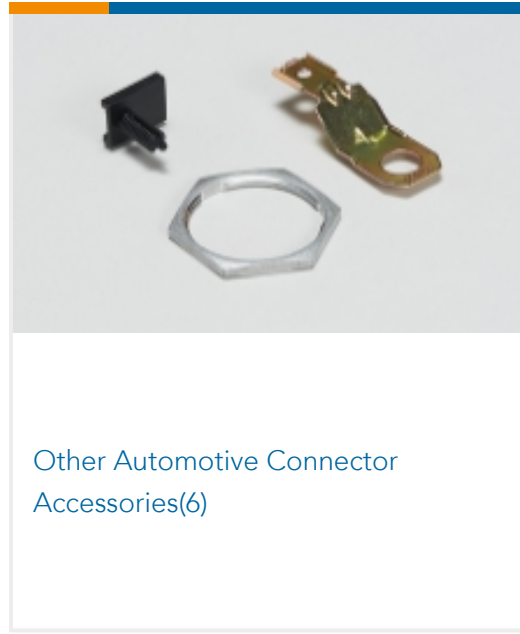




Connector Seals & Cavity Plugs(20)



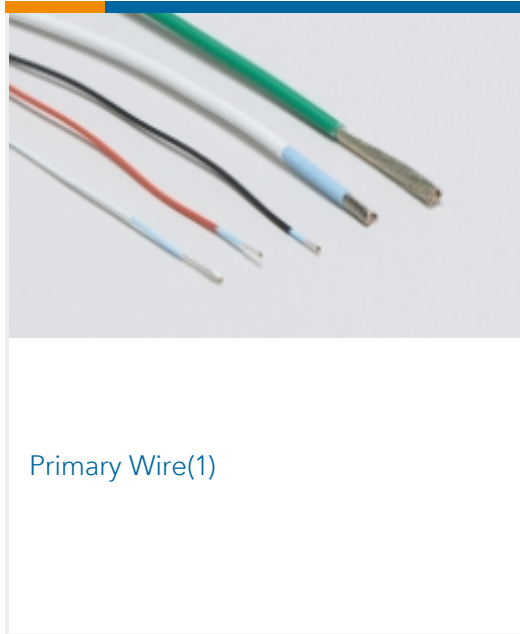
Insertion & Extraction Tools(7)



Other Automotive Connector Accessories(6)



PCB Headers & Receptacles(3)



Primary Wire(1)

Customers Also Bought



TE Part # 174359-2
ECONOSEAL, CONNECTOR HOUSING



TE Part # 174360-7
070 ECONOSEAL MARK-2 P/CAP 3P



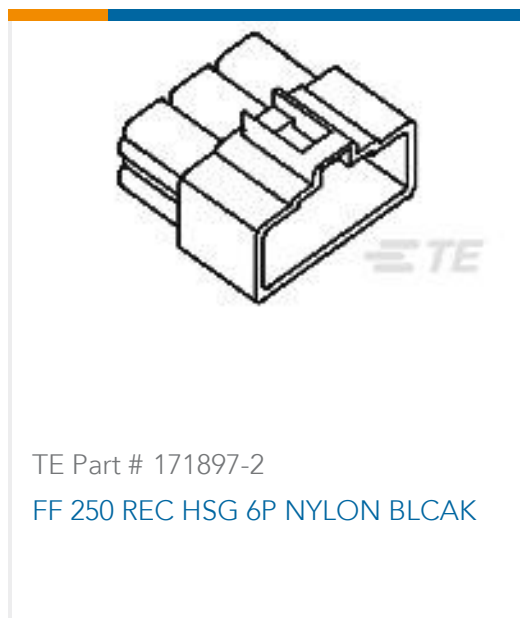
TE Part # 174355-7
070 ECONOSEAL MARK-2 P/CAP 2P



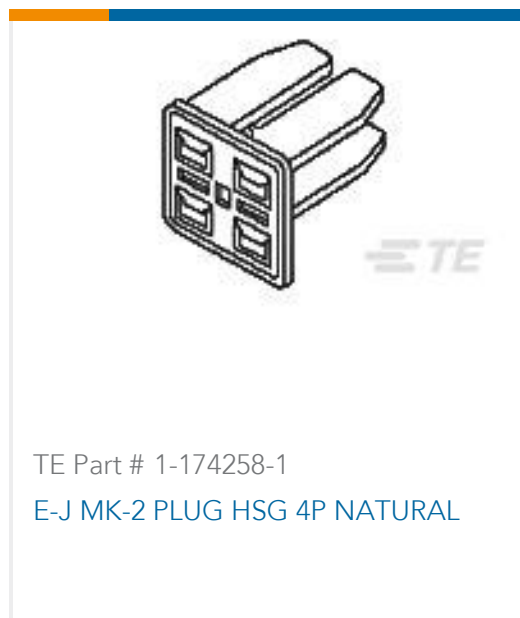
TE Part # 2-172131-1
FF 250 REC HSG 3P NYLON NAT



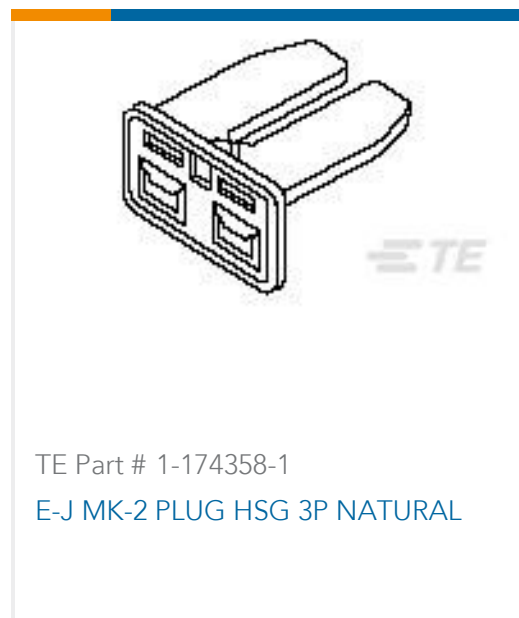
TE Part # 173630-6
070 MLC REC CONT 24-22



TE Part # 171897-2
FF 250 REC HSG 6P NYLON BLCBK



TE Part # 1-174258-1
E-J MK-2 PLUG HSG 4P NATURAL



TE Part # 1-174358-1
E-J MK-2 PLUG HSG 3P NATURAL



TE Part # 170120-4
MATE-N-LOK SOCKET

Documents



Product Drawings

ECONO-J MK-2 LOCK PLATE CAP 6P

Japanese

CAD Files

3D PDF

English

Customer View Model

[ENG_CVM_174265-7_B.2d_dxf.zip](#)

English

Customer View Model

[ENG_CVM_174265-7_B.3d_igs.zip](#)

English

Customer View Model

[ENG_CVM_174265-7_B.3d_stp.zip](#)

English

By downloading the CAD file I accept and agree to the [Terms and Conditions](#) of use.

Product Specifications

Product Specification

English

Product Specification

Japanese

Instruction Sheets

ECONOSEAL J MARK II+ CONNECTOR (EJ-MK II+)

English

Customer Manual (non U.S.)

English

ECONOSEAL J MARK II+ CONNECTOR

English

Customer Manual (non U.S.)

English