

178289-4 ✓ ACTIVE

Dynamic Series | Dynamic 3000 Series

TE Internal #: 178289-4

Housing, Receptacle, Wire-to-Board, 8 Position, .15 in [3.81 mm]  
Centerline, Crimp, 2 Row, Black, Mating Retention, Wire & Cable,  
Dynamic 3000 Series

[View on TE.com >](#)



Connectors > PCB Connectors > Wire-to-Board Connectors > Wire-to-Board Connector Assemblies & Housings >

Receptacle and Tab Housing: 3.81 mm pitch, 250V



Connector Product Type: **Housing**

Connector & Housing Type: **Receptacle**

Connector System: **Wire-to-Board**

Number of Positions: **8**

Centerline (Pitch): **3.81 mm [ .15 in ]**

[All Receptacle and Tab Housing: 3.81 mm pitch, 250V \(45\)](#)

## Features

### Product Type Features

Connector Product Type	Housing
Connector & Housing Type	Receptacle
Connector System	Wire-to-Board
Sealable	No
Connector & Contact Terminates To	Wire & Cable

### Configuration Features

Number of Positions	8
Number of Rows	2

### Body Features

Primary Product Color	Black
-----------------------	-------

### Contact Features

--	--



Contact Type	Receptacle
--------------	------------

Contact Base Material	Copper Alloy
-----------------------	--------------

### Termination Features

Termination Method to Wire & Cable	Crimp
------------------------------------	-------

### Mechanical Attachment

Strain Relief	Without
---------------	---------

Mating Retention	With
------------------	------

Connector Mounting Type	Cable Mount (Free-Hanging)
-------------------------	----------------------------

### Housing Features

Housing Material	Polyester GF
------------------	--------------

Centerline (Pitch)	3.81 mm[.15 in]
--------------------	-----------------

### Dimensions

Connector Length	28.17 mm[1.1 in]
------------------	------------------

Connector Height	12.23 mm[.48 in]
------------------	------------------

Row-to-Row Spacing	5.08 mm[.2 in]
--------------------	----------------

### Usage Conditions

Operating Temperature Range	-55 - 105 °C[-67 - 221 °F]
-----------------------------	----------------------------

### Operation/Application

Circuit Application	Power & Signal
---------------------	----------------

### Industry Standards

UL Flammability Rating	UL 94V-0
------------------------	----------

### Packaging Features

Packaging Quantity	150
--------------------	-----

Packaging Method	Bag
------------------	-----

### Product Compliance

[For compliance documentation, visit the product page on TE.com>](#)

EU RoHS Directive 2011/65/EU	Compliant
------------------------------	-----------

EU ELV Directive 2000/53/EC	Compliant
-----------------------------	-----------

China RoHS 2 Directive MIIT Order No 32, 2016	No Restricted Materials Above Threshold
---	---

EU REACH Regulation (EC) No. 1907/2006	Current ECHA Candidate List: JAN 2024 (240)
--	---



Candidate List Declared Against: JAN 2024 (240)

Does not contain REACH SVHC

Halogen Content	Not Low Halogen - contains Br or Cl > 900 ppm.
Solder Process Capability	Not applicable for solder process capability

Product Compliance Disclaimer

This information is provided based on reasonable inquiry of our suppliers and represents our current actual knowledge based on the information they provided. This information is subject to change. The part numbers that TE has identified as EU RoHS compliant have a maximum concentration of 0.1% by weight in homogenous materials for lead, hexavalent chromium, mercury, PBB, PBDE, DBP, BBP, DEHP, DIBP, and 0.01% for cadmium, or qualify for an exemption to these limits as defined in the Annexes of Directive 2011/65/EU (RoHS2). Finished electrical and electronic equipment products will be CE marked as required by Directive 2011/65/EU. Components may not be CE marked. Additionally, the part numbers that TE has identified as EU ELV compliant have a maximum concentration of 0.1% by weight in homogenous materials for lead, hexavalent chromium, and mercury, and 0.01% for cadmium, or qualify for an exemption to these limits as defined in the Annexes of Directive 2000/53/EC (ELV). Regarding the REACH Regulation, the information TE provides on SVHC in articles for this part number is based on the latest European Chemicals Agency (ECHA) 'Guidance on requirements for substances in articles' posted at this URL: <https://echa.europa.eu/guidance-documents/guidance-on-reach>

### Compatible Parts



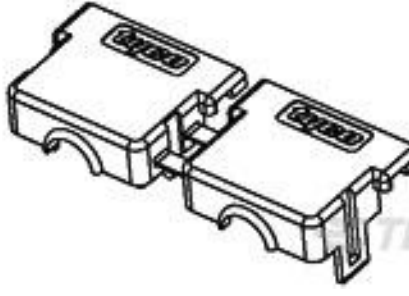
TE Part # CAT-D9934-A75  
Contact: Component To Wire; 15A, 28-14 wire size



TE Part # CAT-D9934-A75E  
Header Assembly: Wire-to-Board, 15A, gold or tin plated



TE Part # 178964-4  
DYNAMIC D-3100D TAB HSG 8P F/H



TE Part # 1827150-1  
DYNAMIC 3100 CLAMP CABLE 8P



TE Part # 2348625-2  
DYNAMIC SERIES RELAY MODULE - 2 RELAY

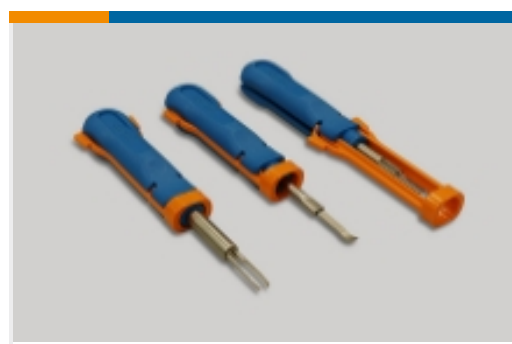
Also in the Series | [Dynamic 3000 Series](#)



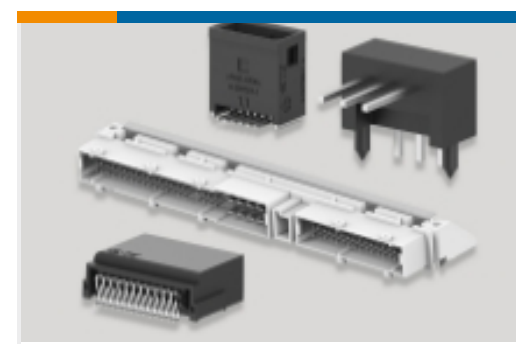
Connector Contacts(94)



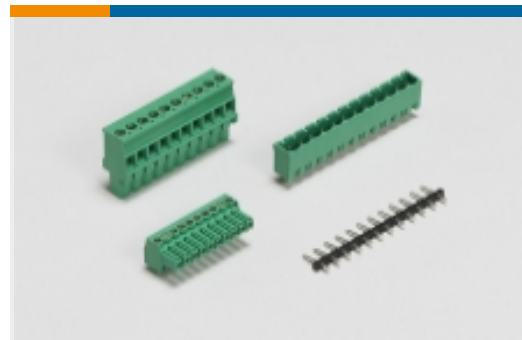
Connector Hardware(8)



Insertion &amp; Extraction Tools(2)



PCB Headers &amp; Receptacles(283)



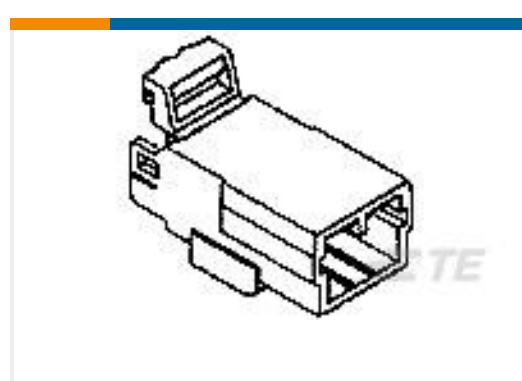
PCB Terminal Blocks(25)



Standard Rectangular Connectors(2)

Wire-to-Board Connector Assemblies  
& Housings(152)

## Customers Also Bought

TE Part # 178289-3  
Receptacle and Tab Housing: 3.81 mm  
pitch, 250VTE Part # 1-1318120-3  
Receptacle and Tab Housing: 2.5 mm  
Pitch, 250VTE Part # 175196-2  
Contact: Component To Wire; 15A, 28-  
14 wire sizeTE Part # 354030-E  
DRCBTB 1,27 80 M BTB38 36,2 137 \*  
094 TRTE Part # 1-174928-1  
070 MLC W-W CAP HSG 3P F/A

## Documents

### Product Drawings

[DYNAMIC D-3100D REC HSG 8P](#)

Japanese

### CAD Files

Customer View Model

[ENG\\_CVM\\_CVM\\_178289-4\\_P.2d\\_dxf.zip](#)

English

[3D PDF](#)



3D

Customer View Model

[ENG\\_CVM\\_CVM\\_178289-4\\_P.3d\\_igs.zip](#)

English

Customer View Model

[ENG\\_CVM\\_CVM\\_178289-4\\_P.3d\\_stp.zip](#)

English

By downloading the CAD file I accept and agree to the [Terms and Conditions](#) of use.

---

### Product Specifications

[Product Specification](#)

English

---

### Agency Approvals

[TUV Certificate](#)

English