

165085 ✓ ACTIVE

PLASTI-GRIP

TE Internal #: 165085

Crimp Wire Pins, Tabs & Ferrules, Wire Pin, Mating Pin Diameter

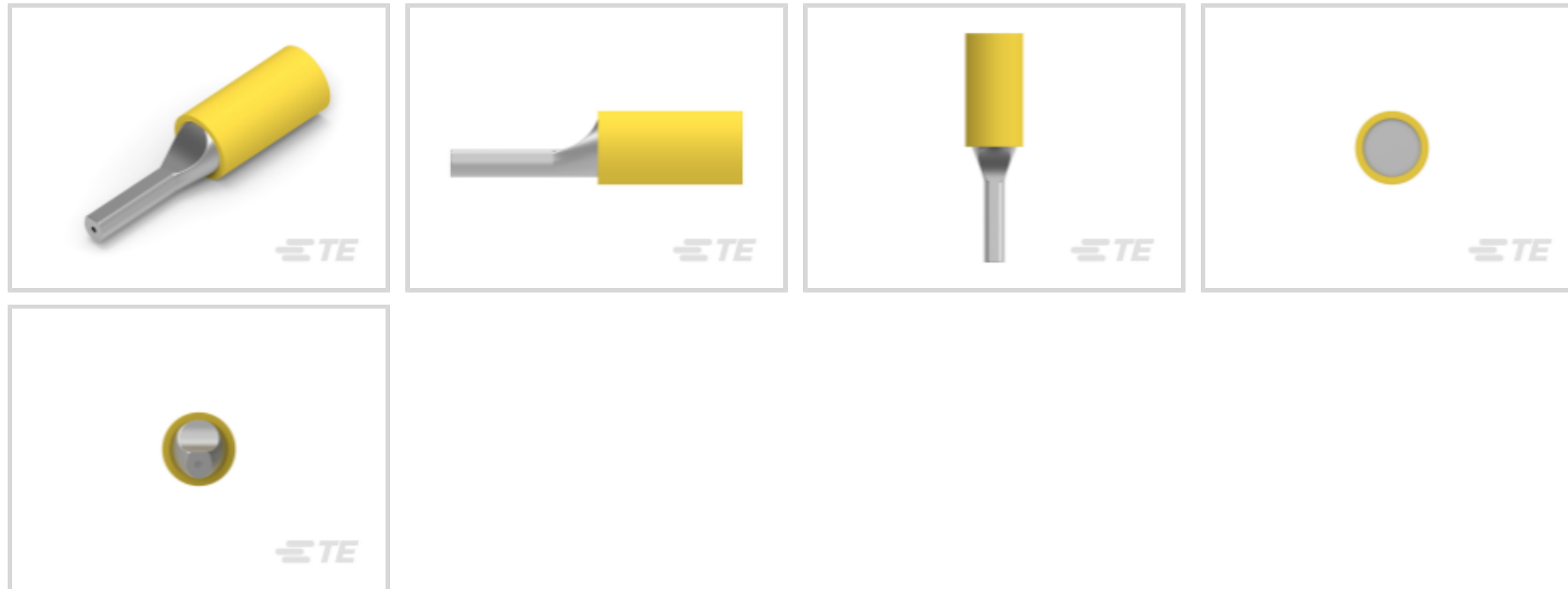
2.6 mm [.102 in], 12 - 10 AWG Wire Size, 3 - 6 mm<sup>2</sup> Wire Size,

PLASTI-GRIP

[View on TE.com >](#)



Terminals & Splices > Crimp Wire Pins, Tabs & Ferrules



Crimp Wire Terminal Type: **Wire Pin**

Mating Pin Diameter: **2.6 mm [.102 in]**

Compatible Insulation Diameter Range: **3.8 - 6.4 mm, 6.4 mm [.15 - .25 in, .251 in]**

Wire Size: **3 - 6 mm<sup>2</sup>**

### Features

#### Product Type Features

Sealable	No
Compatible With Discrete Wire Type	Stranded
Wire Insulation Support Retention Type	Insulation Support

#### Configuration Features

Compatible With Wire & Cable Type	Discrete Wire
-----------------------------------	---------------

#### Body Features

Sleeve Material	PVC
Insulation Material	PVC
Primary Product Color	Yellow

#### Contact Features

Contact Mating Area Length	9.9 mm[.39 in]
Contact Fabrication	Stamped & Formed
Crimp Wire Terminal Type	Wire Pin
Mating Pin Diameter	2.6 mm[.102 in]



Barrel Type	Closed
Terminal Plating Material	Tin
Contact Shape & Form	Round
Terminal Orientation	Straight

### Mechanical Attachment

Wire Insulation Support	Without
-------------------------	---------

### Dimensions

DIN Wire Size	1 - 2.5 mm <sup>2</sup>
Compatible Insulation Diameter Range	3.8 - 6.4 mm, 6.4 mm [.15 - .25 in] [.251 in]
Wire Size	5180 - 13100 CMA
Barrel Inside Diameter	6.4 mm [.252 in]
Terminal Material Thickness	.99 mm [.039 in]
Overall Product Length	29.4 mm [1.158 in]

### Usage Conditions

Insulation Option	Partially Insulated
Operating Temperature Range	105 °C [221 °F]

### Packaging Features

Packaging Quantity	500
Packaging Method	Box

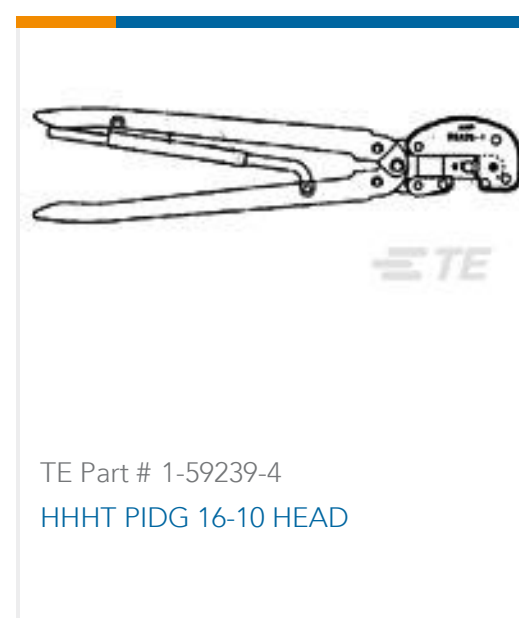
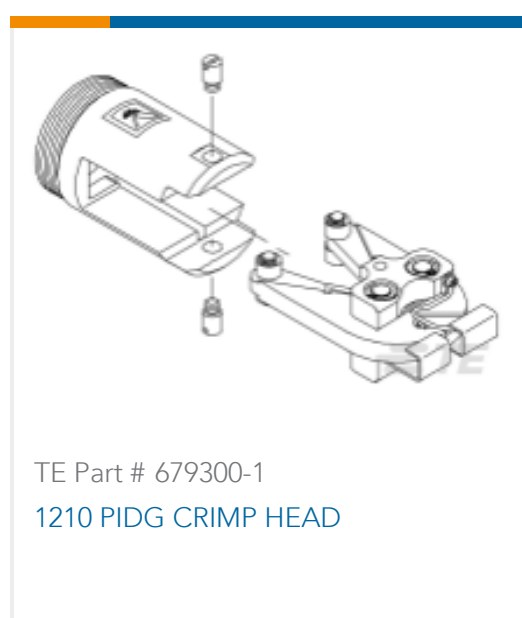
### Product Compliance

[For compliance documentation, visit the product page on TE.com>](#)

EU RoHS Directive 2011/65/EU	Compliant
EU ELV Directive 2000/53/EC	Compliant
China RoHS 2 Directive MIIT Order No 32, 2016	No Restricted Materials Above Threshold
EU REACH Regulation (EC) No. 1907/2006	Current ECHA Candidate List: JAN 2024 (240) Candidate List Declared Against: JAN 2024 (240) Does not contain REACH SVHC
Halogen Content	Not Low Halogen - contains Br or Cl > 900 ppm.
Solder Process Capability	Not applicable for solder process capability

This information is provided based on reasonable inquiry of our suppliers and represents our current actual knowledge based on the information they provided. This information is subject to change. The part numbers that TE has identified as EU RoHS compliant have a maximum concentration of 0.1% by weight in homogenous materials for lead, hexavalent chromium, mercury, PBB, PBDE, DBP, BBP, DEHP, DIBP, and 0.01% for cadmium, or qualify for an exemption to these limits as defined in the Annexes of Directive 2011/65/EU (RoHS2). Finished electrical and electronic equipment products will be CE marked as required by Directive 2011/65/EU. Components may not be CE marked. Additionally, the part numbers that TE has identified as EU ELV compliant have a maximum concentration of 0.1% by weight in homogenous materials for lead, hexavalent chromium, and mercury, and 0.01% for cadmium, or qualify for an exemption to these limits as defined in the Annexes of Directive 2000/53/EC (ELV). Regarding the REACH Regulation, the information TE provides on SVHC in articles for this part number is based on the latest European Chemicals Agency (ECHA) 'Guidance on requirements for substances in articles' posted at this URL: <https://echa.europa.eu/guidance-documents/guidance-on-reach>

## Compatible Parts



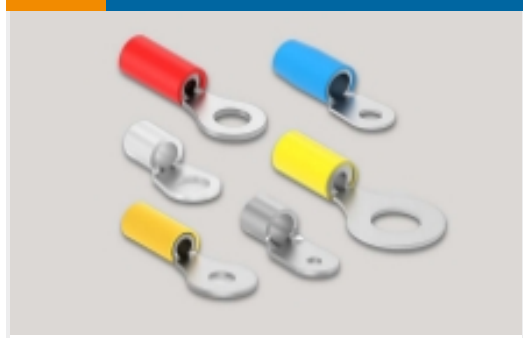
## Also in the Series | PLASTI-GRIP



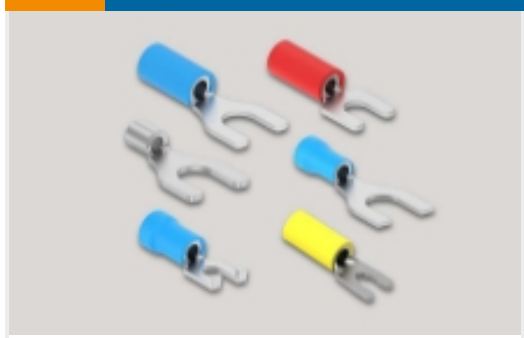
Compression Connectors(3)



Crimp Wire Pins, Tabs & Ferrules(22)



Ring Terminals(324)



Spade Terminals(178)

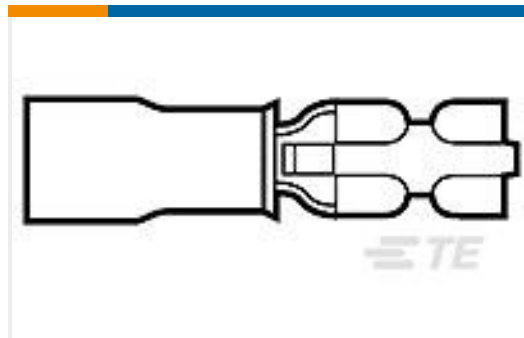


Splices(47)

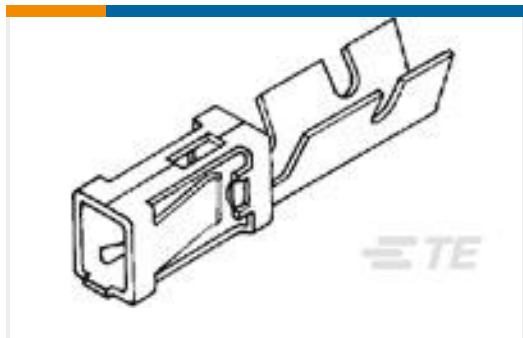
## Customers Also Bought



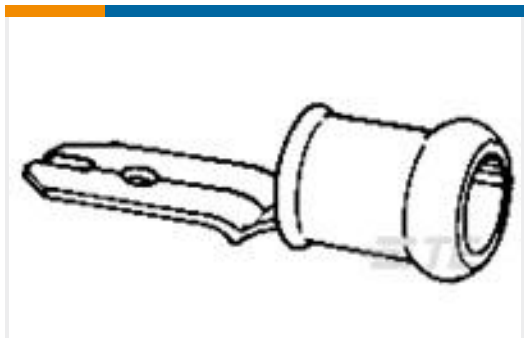
TE Part # 165049  
TERM, WIRE PIN, PIDG, 12 - 10, -ASI



TE Part # 640921-1  
RECEPT,PIDG FASTON 22-18 110



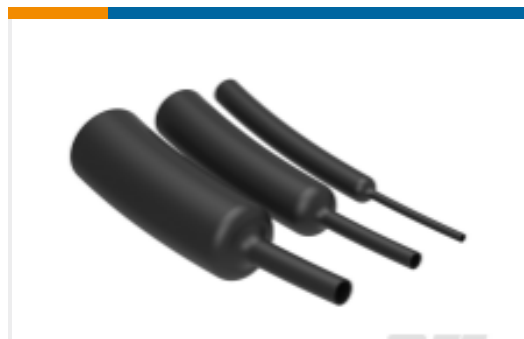
TE Part # 280621-2  
MOD I CONT STRIP



TE Part # 141085-2  
TERMINAL TAB FASTON PIDG 6,35



TE Part # 3-1437622-0  
KN1251B1/4=KNOB BLK KNURL L/HA



TE Part # 5677872005  
RNF-3000 Heat Shrink Tubing



TE Part # 142841-1  
TUBING SPIRAP 500031-1



TE Part # 862256-1  
POTTING SHELL

## Documents

### Product Drawings

[PG WIRE PIN 12-10](#)

English

### CAD Files

Customer View Model

[ENG\\_CVM\\_CVM\\_165085\\_M.2d\\_dxf.zip](#)



English

[3D PDF](#)

3D

Customer View Model

[ENG\\_CVM\\_CVM\\_165085\\_M.3d\\_igs.zip](#)

English

Customer View Model

[ENG\\_CVM\\_CVM\\_165085\\_M.3d\\_stp.zip](#)

English

By downloading the CAD file I accept and agree to the [Terms and Conditions](#) of use.

---

### Datasheets & Catalog Pages

[PLASTI GRIP\\_QRG](#)

English

---

### Product Specifications

[Application Specification](#)

English

---

### Instruction Sheets

[Instruction Sheet \(U.S.\)](#)

English

---

### Agency Approvals

[UL Report](#)

English