

3-520141-2 ✓ ACTIVE

Ultra-Fast | Ultra-Fast 250

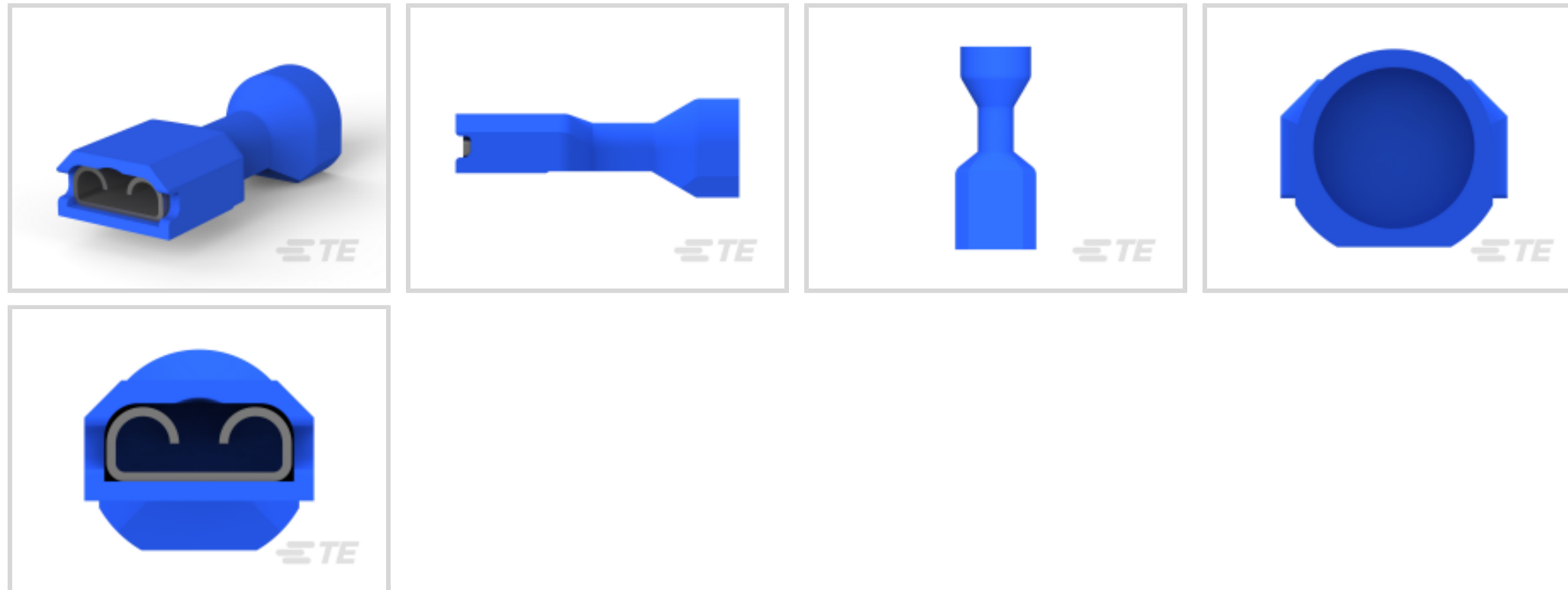
TE Internal #: 3-520141-2

Quick Disconnects, Receptacle, 16 – 14 AWG Wire Size, 1.31 – 2.08 mm² Wire Size, Mating Tab Width 6.35 mm [.25 in], Straight, Brass, Ultra-Fast 250

[View on TE.com >](#)



Terminals & Splices > Quick Disconnects



Quick Disconnect Terminal Type: **Receptacle**

Wire Size: 1.31 – 2.08 mm²

Mating Tab Width: 6.35 mm [.25 in]

Mating Tab Thickness: .81 mm [.032 in]

Features

Product Type Features

Terminal Features	Wire Stop
Insertion Force	Normal

Configuration Features

Connection Capacity	Single
Compatible With Wire & Cable Type	Discrete Wire

Body Features

Insulation Material	Nylon
---------------------	-------

Contact Features

Quick Disconnect Terminal Type	Receptacle
Mating Tab Width	6.35 mm [.25 in]
Mating Tab Thickness	.81 mm [.032 in]
Terminal Orientation	Straight
Contact Base Material	Brass
Terminal Plating Material	Tin



Crimp Type	F-Crimp
------------	---------

Barrel Type	Closed
-------------	--------

Termination Features

Product Terminates To	Wire & Cable
-----------------------	--------------

Mechanical Attachment

Wire Insulation Support	With
-------------------------	------

Mating Retention Type	Dimple
-----------------------	--------

Dimensions

Terminal Material Thickness	.41 mm[.016 in]
-----------------------------	-----------------

Product Length	23.7 mm[.935 in]
----------------	------------------

Compatible Insulation Diameter Range	6.6 mm[.26 in]
--------------------------------------	----------------

Wire Size	1.31 – 2.08 mm ²
-----------	-----------------------------

Usage Conditions

Insulation Option	Fully Insulated
-------------------	-----------------

Operating Temperature Range	-40 – 110 °C[-40 – 230 °F]
-----------------------------	----------------------------

Industry Standards

Compatible With Agency/Standards Products	UL
---	----

UL Flammability Rating	UL 94V-2
------------------------	----------

Packaging Features

Packaging Quantity	1000
--------------------	------

Packaging Method	Loose Piece/Carton
------------------	--------------------

Other

Barrel Color	Blue
--------------	------

Product Compliance

[For compliance documentation, visit the product page on TE.com>](#)

EU RoHS Directive 2011/65/EU	Compliant
------------------------------	-----------

EU ELV Directive 2000/53/EC	Compliant
-----------------------------	-----------

China RoHS 2 Directive MIIT Order No 32, 2016	No Restricted Materials Above Threshold
---	---

EU REACH Regulation (EC) No. 1907/2006	Current ECHA Candidate List: JAN 2024 (240) Candidate List Declared Against: JAN 2024 (240)
--	--



Does not contain REACH SVHC

Halogen Content

Low Halogen - Br, Cl, F, I < 900 ppm per homogenous material. Also BFR/CFR/PVC Free

Solder Process Capability

Not applicable for solder process capability

Product Compliance Disclaimer

This information is provided based on reasonable inquiry of our suppliers and represents our current actual knowledge based on the information they provided. This information is subject to change. The part numbers that TE has identified as EU RoHS compliant have a maximum concentration of 0.1% by weight in homogenous materials for lead, hexavalent chromium, mercury, PBB, PBDE, DBP, BBP, DEHP, DIBP, and 0.01% for cadmium, or qualify for an exemption to these limits as defined in the Annexes of Directive 2011/65/EU (RoHS2). Finished electrical and electronic equipment products will be CE marked as required by Directive 2011/65/EU. Components may not be CE marked. Additionally, the part numbers that TE has identified as EU ELV compliant have a maximum concentration of 0.1% by weight in homogenous materials for lead, hexavalent chromium, and mercury, and 0.01% for cadmium, or qualify for an exemption to these limits as defined in the Annexes of Directive 2000/53/EC (ELV). Regarding the REACH Regulation, the information TE provides on SVHC in articles for this part number is based on the latest European Chemicals Agency (ECHA) 'Guidance on requirements for substances in articles' posted at this URL: <https://echa.europa.eu/guidance-documents/guidance-on-reach>

Compatible Parts

TE Part # 58628-1
PROCrimp T&D 26-14 ULTRAFast

TE Part # 90391-3
Dies ULTRAFast FASTON 16-14 Die Set

TE Part # 58628-2
PROCrimp DIESET 26-14 ULTRAFast

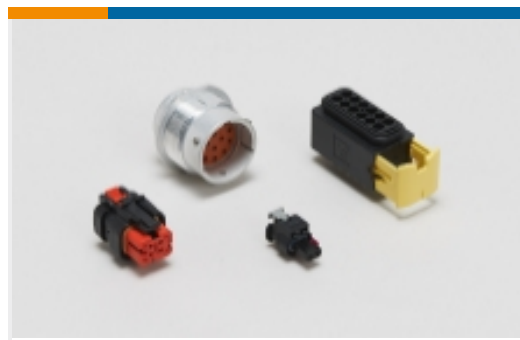
TE Part # 2217481-1
KIT, BTLI, SDE CLOSED HEAD

TE Part # 2217481-2
KIT, BTLI, SDE CLOSED HEAD

Also in the Series | **Ultra-Fast 250**



Automotive Connector Caps & Covers (1)

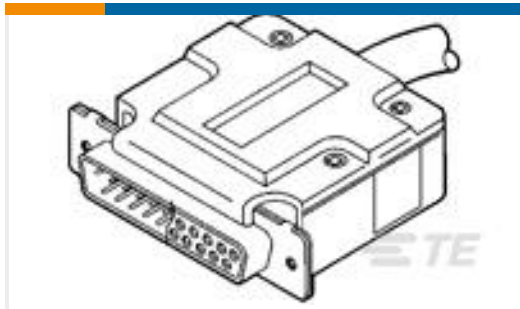


Automotive Housings(5)



Quick Disconnects(49)

Customers Also Bought



TE Part #207467-1
CABLE CLAMP KIT,SZ 1



TE Part #3-520151-2
ULTRAFast 187 ASSY REC 16-14
TPBR LP



TE Part #2-520184-2
ULTRAFast 250 ASSY REC 22-18
TPBR LP



TE Part #2-34162-1
TERMINAL,PG R 16-14 1/4



TE Part #163300-8
MATENLOK SOCKET



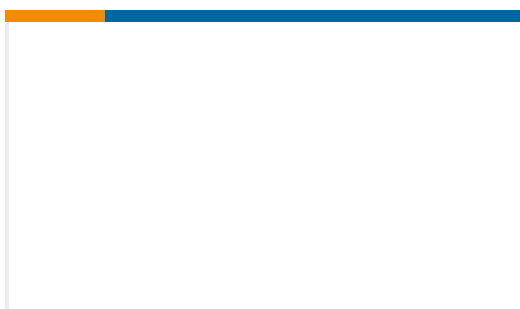
TE Part #5677792003
RNF-3000-9/3-6-STK



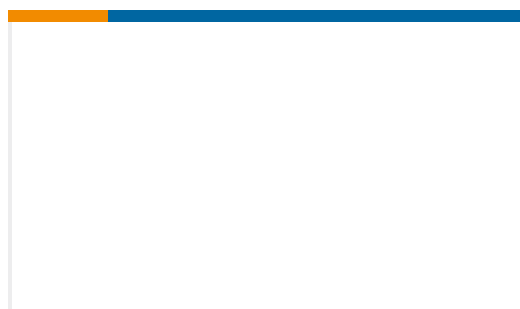
TE Part #770004-4
UMNL II SOK SN/AUNI/PHBZ



TE Part #OTX-418-HH-KF1-MS
Remote MS 418MHz OOK AM 1Btn KF
TX FCC



TE Part #58078-5
TOOL FRAME W/O LOCATOR W/O
DIES



TE Part #8-1393215-8
V23057-B0006-A901

Documents

Product Drawings

[ULTRAFast 250 ASSY REC 16-14 TPBR LP](#)

English

CAD Files

[3D PDF](#)

[3D](#)

[Customer View Model](#)

[ENG_CVM_CVM_3-520141-2_C.2d_dxf.zip](#)



English

Customer View Model

[ENG_CVM_CVM_3-520141-2_C.3d_igs.zip](#)

English

Customer View Model

[ENG_CVM_CVM_3-520141-2_C.3d_stp.zip](#)

English

By downloading the CAD file I accept and agree to the [Terms and Conditions](#) of use.

Datasheets & Catalog Pages

[Ultra-Fast and Ultra Fast Plus](#)

English

Product Specifications

[Application Specification](#)

English

Agency Approvals

[UL](#)

English