



AMPMODU | AMPMODU MOD 1

TE Internal #: 826853-1

Board-to-Board Jumpers & Shunts, AMPMODU MOD I, Open Top, 1 Position, .156 in [3.96 mm] Centerline, Signal, -40 - 185 °F [-40 - 85 °C], AMPMODU MOD 1

[View on TE.com >](#)

Connectors > PCB Connectors > Board-to-Board Connectors > Board-to-Board Jumpers & Shunts



Shunt Type: AMPMODU MOD I

Shunt Style: Open Top

Number of Positions: 1

Centerline (Pitch): 3.96 mm [.156 in]

Contact Current Rating (Max): 3 A

Features

Product Type Features

Connector System	Board-to-Board
Connector & Contact Terminates To	Printed Circuit Board

Configuration Features

Number of Positions	1
---------------------	---

Body Features

Handle	Without
Primary Product Color	Green

Contact Features

Contact Mating Area Plating Material Thickness	2 µm[78.74 µin]
Contact Mating Area Plating Material	Tin
Contact Base Material	Copper Tin Alloy
Shunt Type	AMPMODU MOD I
Shunt Style	Open Top
Contact Current Rating (Max)	3 A



Mechanical Attachment

Connector Mounting Type	Board Mount
-------------------------	-------------

Housing Features

Housing Material	Polyamide 6.6 GF
Centerline (Pitch)	3.96 mm[.156 in]

Dimensions

Product Height	8 mm[.315 in]
----------------	---------------

Usage Conditions

Operating Temperature Range	-40 - 85 °C[-40 - 185 °F]
-----------------------------	---------------------------

Operation/Application

Circuit Application	Signal
---------------------	--------

Industry Standards

Compatible With Approved Standards Products	CSA Certified, UL Recognized
UL Flammability Rating	UL 94V-0

Packaging Features

Jumper & Shunt Packaging	Loose Piece
Packaging Quantity	500
Packaging Method	Bag

Product Compliance

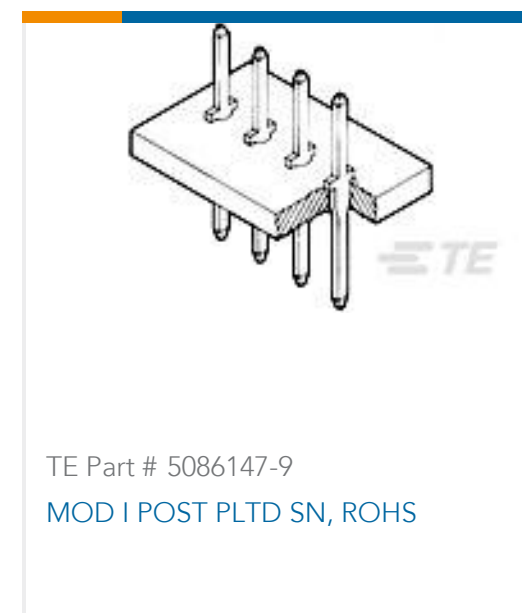
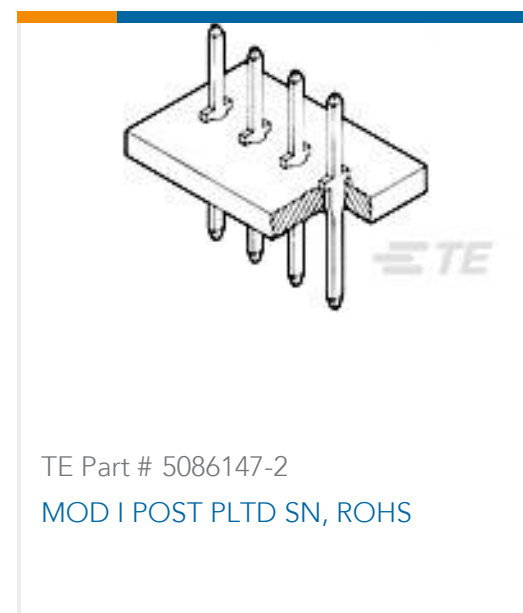
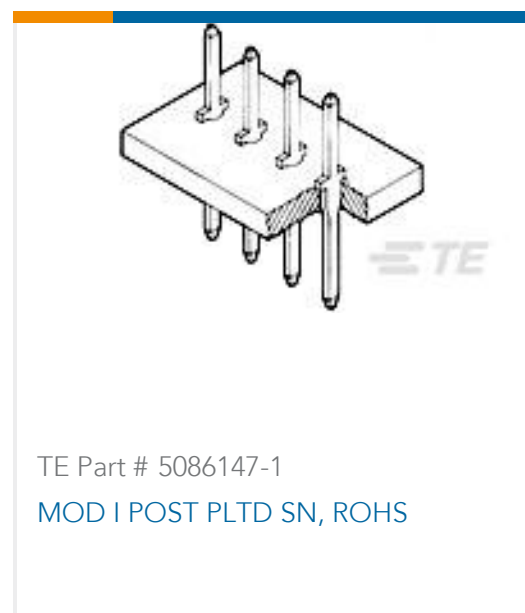
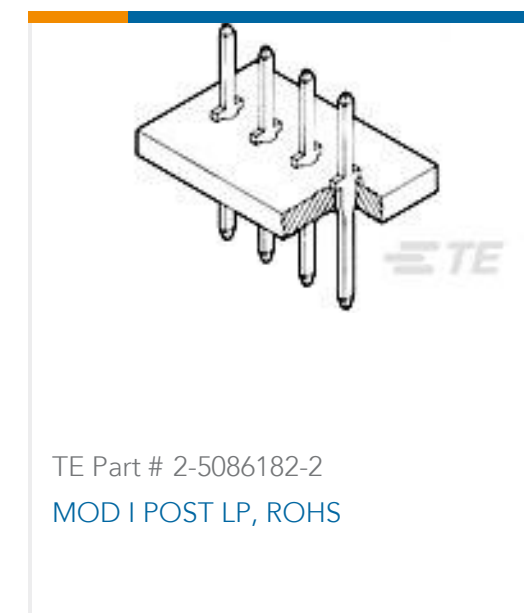
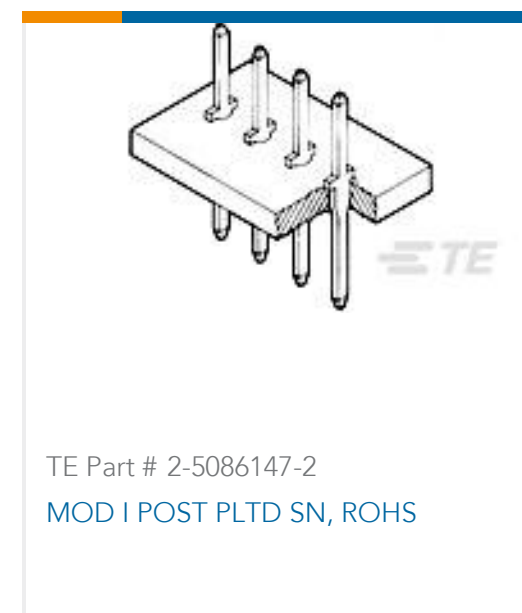
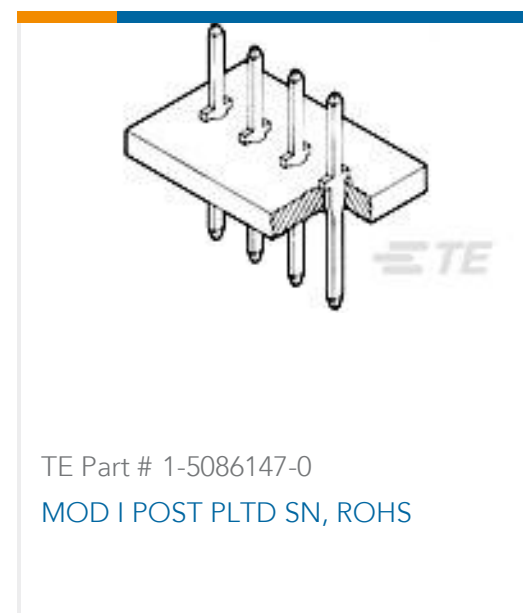
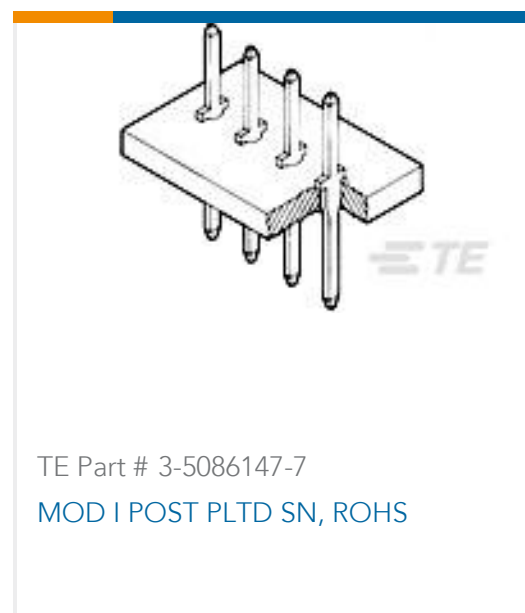
[For compliance documentation, visit the product page on TE.com>](#)

EU RoHS Directive 2011/65/EU	Compliant
EU ELV Directive 2000/53/EC	Compliant
China RoHS 2 Directive MIIT Order No 32, 2016	No Restricted Materials Above Threshold
EU REACH Regulation (EC) No. 1907/2006	Current ECHA Candidate List: JAN 2024 (240) Candidate List Declared Against: JAN 2024 (240) Does not contain REACH SVHC
Halogen Content	Low Halogen - Br, Cl, F, I < 900 ppm per homogenous material. Also BFR/CFR/PVC Free
Solder Process Capability	Not applicable for solder process capability

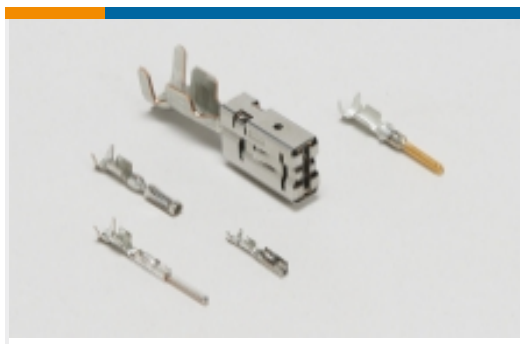
Product Compliance Disclaimer

This information is provided based on reasonable inquiry of our suppliers and represents our current actual knowledge based on the information they provided. This information is subject to change. The part numbers that TE has identified as EU RoHS compliant have a maximum concentration of 0.1% by weight in homogenous materials for lead, hexavalent chromium, mercury, PBB, PBDE, DBP, BBP, DEHP, DIBP, and 0.01% for cadmium, or qualify for an exemption to these limits as defined in the Annexes of Directive 2011/65/EU (RoHS2). Finished electrical and electronic equipment products will be CE marked as required by Directive 2011/65/EU. Components may not be CE marked. Additionally, the part numbers that TE has identified as EU ELV compliant have a maximum concentration of 0.1% by weight in homogenous materials for lead, hexavalent chromium, and mercury, and 0.01% for cadmium, or qualify for an exemption to these limits as defined in the Annexes of Directive 2000/53/EC (ELV). Regarding the REACH Regulation, the information TE provides on SVHC in articles for this part number is based on the latest European Chemicals Agency (ECHA) 'Guidance on requirements for substances in articles' posted at this URL: <https://echa.europa.eu/guidance-documents/guidance-on-reach>

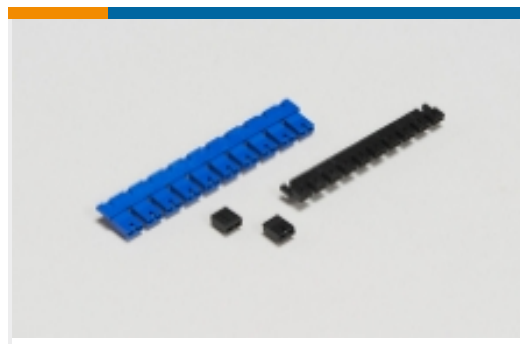
Compatible Parts



Also in the Series | AMPMODU MOD 1



Automotive Terminals(4)



Board-to-Board Jumpers & Shunts(5)



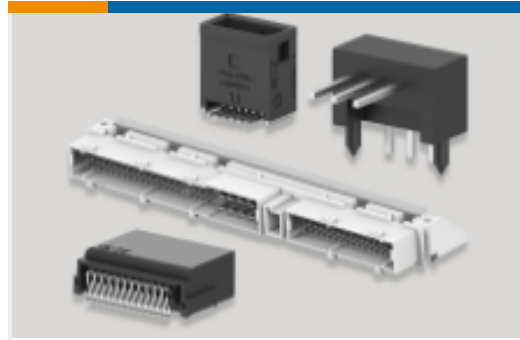
Connector Contacts(108)



Connector Hardware(2)



Insertion & Extraction Tools(1)

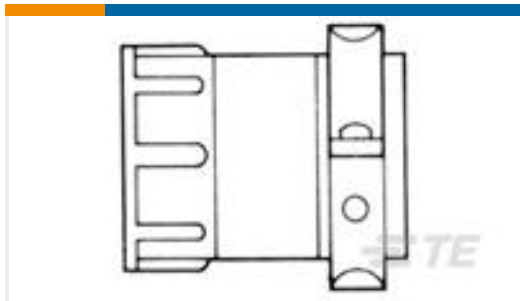


PCB Headers & Receptacles(341)



Wire-to-Board Connector Assemblies & Housings(32)

Customers Also Bought



TE Part # 207008-6
CABLE CLAMP KIT, BULK PKG



TE Part # 1-1393114-1
KUEP-7D15-24=KU



TE Part # 1393114-1
KUEP-3D15-24=KU-



TE Part # 6116202-1
MJ,TE,8P,COMPL.PIN,CAT5,PC



TE Part # 1393114-2
KUEP-3D15-48=KU



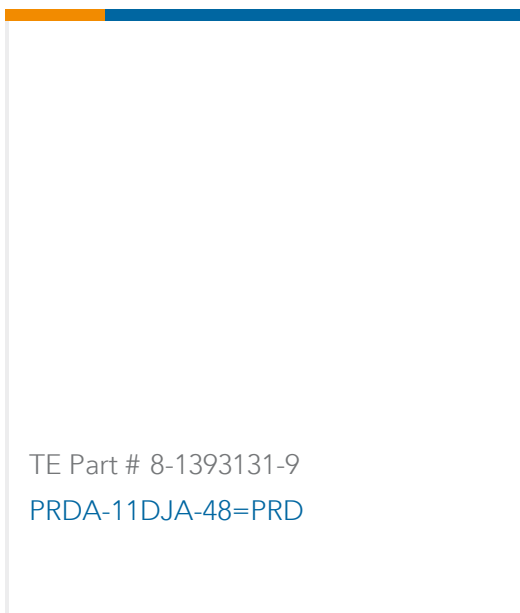
TE Part # 2330274-3
SSRDC-200D40 = Hokey Puck,40A,
200V DC



TE Part # 214782-E
EPSVA KS GDM4 EE 10 3,8 SN *
STROMVERSOR



TE Part # 9062290001
RPS-8-4/2.0-S1-9



TE Part # 8-1393131-9
PRDA-11DJA-48=PRD

Documents



Product Drawings

1P, AMPMODU I, SHUNT GREEN

English

1P, AMPMODU I, SHUNT GREEN

English

CAD Files

3D PDF

3D

Customer View Model

ENG_CVM_CVM_826853-1_B.2d_dxf.zip

English

Customer View Model

ENG_CVM_CVM_826853-1_B.3d_igs.zip

English

Customer View Model

ENG_CVM_CVM_826853-1_B.3d_stp.zip

English

Customer View Model

ENG_CVM_826853-1_B1.3d_igs.zip

English

Customer View Model

ENG_CVM_826853-1_B1.3d_stp.zip

English

Customer View Model

ENG_CVM_826853-1_B1.2d_dxf.zip

English

3D PDF

English

By downloading the CAD file I accept and agree to the [Terms and Conditions](#) of use.

Agency Approvals

UL Report

English