

167292-1 ✓ ACTIVE

AMPLIMITE

TE Internal #: 167292-1

Crimp D-Sub Connectors, Plug, Cable-to-Cable, 9 Position, Size 20

Contact Size, 1 Connector Shell Size, Mating Retention, Shielded

[View on TE.com >](#)



Connectors > D-Shaped Connectors > D-Sub Connectors > Crimp D-Sub Connectors > D-Sub Crimp: Plug, Signal, 9 Posn, Pin Size 20, Shell Size 1



Connector & Housing Type: **Plug**

Connector System: **Cable-to-Cable**

Number of Positions: **9**

Contact Size: **Size 20**

Connector Shell Size: **1**

[All D-Sub Crimp: Plug, Signal, 9 Posn, Pin Size 20, Shell Size 1 \(12\)](#)

### Features

#### Product Type Features

Shell Material Configuration	Full Metal Shell
Ground Feature Type	Grounding Indents
Connector & Contact Terminates To	Wire & Cable
Connector & Housing Type	Plug
Connector System	Cable-to-Cable
Connector Shell Size	1
Sealable	No

#### Configuration Features

Number of Positions	9
---------------------	---

#### Body Features

Insert Material	Glass-Filled Nylon
Shell Plating Material	Tin
Primary Product Color	Black



### Contact Features

Contact Size	Size 20
--------------	---------

### Mechanical Attachment

Mating Retention	With
Mating Retention Type	Mounting Holes

### Housing Features

Shell Material	Steel
Housing Material	Thermoplastic
Centerline (Pitch)	2.74 mm [.108 in]

### Dimensions

Compatible Insulation Diameter Range	1.73 mm
--------------------------------------	---------

### Usage Conditions

Operating Temperature Range	-55 - 105 °C [-67 - 221 °F]
-----------------------------	-----------------------------

### Operation/Application

Circuit Application	Signal
Shielded	Yes

### Industry Standards

UL Flammability Rating	UL 94V-0
------------------------	----------

### Packaging Features

Packaging Quantity	50
Packaging Method	Box

### Product Compliance

[For compliance documentation, visit the product page on TE.com>](#)

EU RoHS Directive 2011/65/EU	Compliant
EU ELV Directive 2000/53/EC	Compliant
China RoHS 2 Directive MIIT Order No 32, 2016	No Restricted Materials Above Threshold
EU REACH Regulation (EC) No. 1907/2006	Current ECHA Candidate List: JAN 2024 (240) Candidate List Declared Against: JUNE 2023 (235) Does not contain REACH SVHC
Halogen Content	Not Low Halogen - contains Br or Cl > 900

ppm.

Solder Process Capability

Not applicable for solder process capability

Product Compliance Disclaimer

This information is provided based on reasonable inquiry of our suppliers and represents our current actual knowledge based on the information they provided. This information is subject to change. The part numbers that TE has identified as EU RoHS compliant have a maximum concentration of 0.1% by weight in homogenous materials for lead, hexavalent chromium, mercury, PBB, PBDE, DBP, BBP, DEHP, DIBP, and 0.01% for cadmium, or qualify for an exemption to these limits as defined in the Annexes of Directive 2011/65/EU (RoHS2). Finished electrical and electronic equipment products will be CE marked as required by Directive 2011/65/EU. Components may not be CE marked. Additionally, the part numbers that TE has identified as EU ELV compliant have a maximum concentration of 0.1% by weight in homogenous materials for lead, hexavalent chromium, and mercury, and 0.01% for cadmium, or qualify for an exemption to these limits as defined in the Annexes of Directive 2000/53/EC (ELV). Regarding the REACH Regulation, the information TE provides on SVHC in articles for this part number is based on the latest European Chemicals Agency (ECHA) 'Guidance on requirements for substances in articles' posted at this URL: <https://echa.europa.eu/guidance-documents/guidance-on-reach>

### Compatible Parts



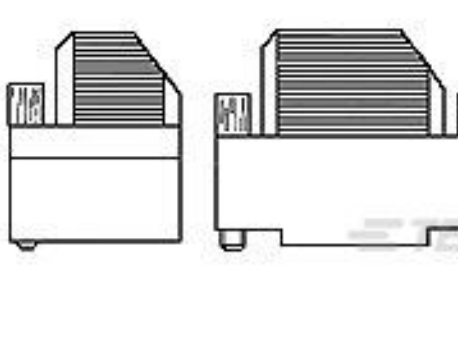
TE Part # CAT-035-DCRSS201  
D-Sub Crimp Recpt Signal 9 Posn,  
Socket Size 20, Shell Size 1



TE Part # 1579007-9  
EXTRACTION TOOL



TE Part # 2198617-9  
Ni Plated Plastic Backshell, 9 Way, Str



TE Part # 1393738-2  
V42254A6000G115=SUB D GEHAEUSE

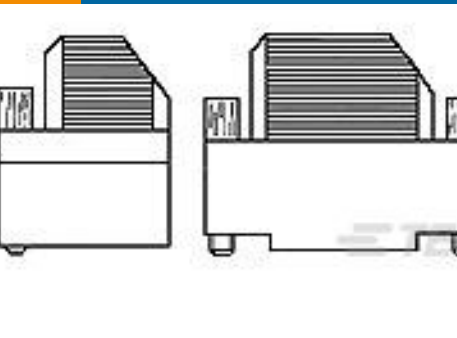


TE Part # 3-1393483-8  
V42254A1115B209=SUB D FEDERLEI

### Customers Also Bought



TE Part # 5-166052-1  
HDF20 SOCKET F CRIMP SIZE28-24



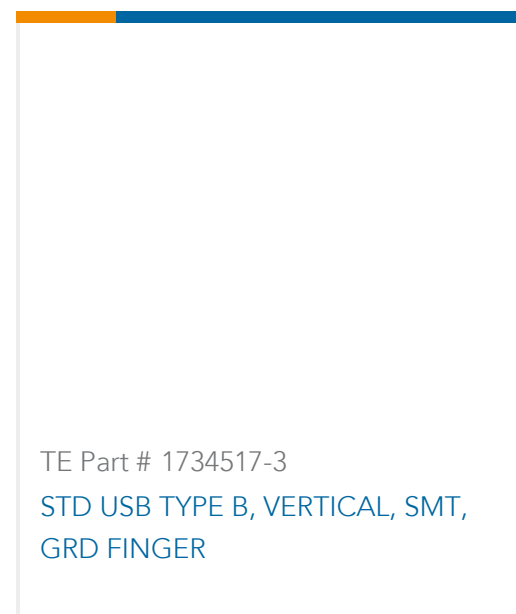
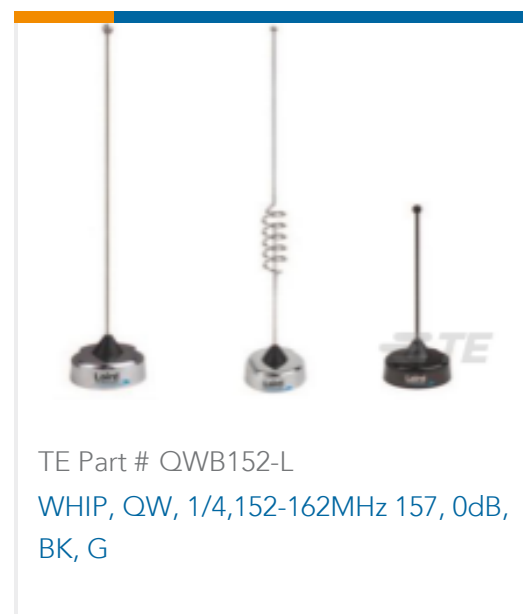
TE Part # 5-1393738-9  
V42254A6004G109=SUB D GEHAEUSE



TE Part # 5746881-2  
SCREW RETAINER KIT,BULK PKG



TE Part # 8-2176369-2  
RQ 0603 280R 0.1% 10PPM 5K RL



## Documents

### Product Drawings

09P.HDP20 PLUG ASSY

English

### CAD Files

Customer View Model

[ENG\\_CVM\\_167292-1\\_M.3d\\_igs.zip](#)

English

Customer View Model

[ENG\\_CVM\\_167292-1\\_M.3d\\_stp.zip](#)

English

Customer View Model

[ENG\\_CVM\\_167292-1\\_M.2d\\_dxf.zip](#)

English

3D PDF

3D

3D PDF

3D

Customer View Model

[ENG\\_CVM\\_CVM\\_167292-1\\_N.2d\\_dxf.zip](#)

English

Customer View Model

[ENG\\_CVM\\_CVM\\_167292-1\\_N.3d\\_igs.zip](#)

English

Customer View Model

[ENG\\_CVM\\_CVM\\_167292-1\\_N.3d\\_stp.zip](#)

English



By downloading the CAD file I accept and agree to the [Terms and Conditions](#) of use.

### Datasheets & Catalog Pages

[AMPLIMITE Subminiature D Connectors - Subminiature D Connectors for Cable Mounting](#)

English

### Product Specifications

[Ocena wizualna zlaczy HD20 WTW](#)

[Workmanship Specification](#)