

42531-2 ✓ ACTIVE

SHUR-PLUG 180

TE Internal #: 42531-2

Crimp Wire Pins, Tabs & Ferrules, Shur-Plug, Mating Pin Diameter

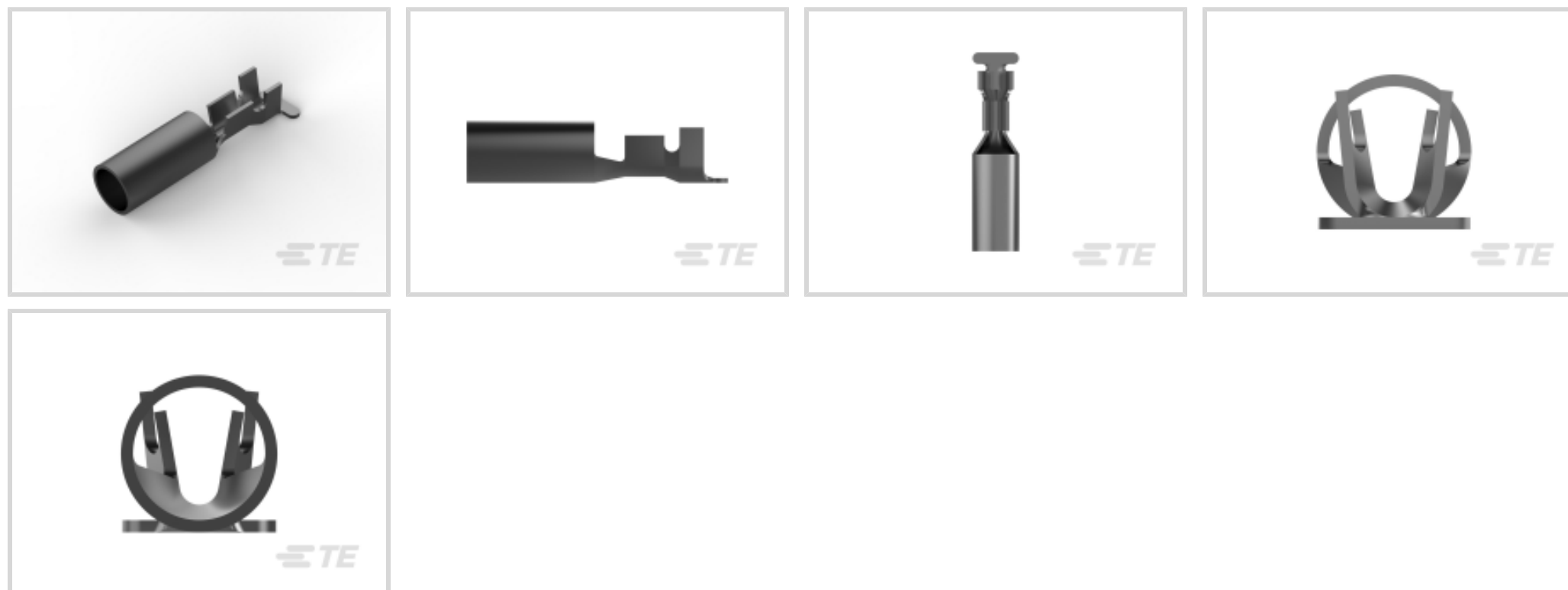
4.57 mm [.18 in], 20 - 16 AWG Wire Size, .5 - 1.3 mm² Wire Size,

SHUR-PLUG 180

[View on TE.com >](#)



Terminals & Splices > Crimp Wire Pins, Tabs & Ferrules



Crimp Wire Terminal Type: **Shur-Plug**

Mating Pin Diameter: **4.57 mm [.18 in]**

Compatible Insulation Diameter Range: **2.29 - 3.05 mm, 3.05 mm [.09 - .12 in, .12 in]**

Wire Size: **.5 - 1.3 mm²**

Features

Product Type Features

Compatible With Discrete Wire Type

Solid, Stranded

Configuration Features

Compatible With Wire & Cable Type

Discrete Wire

Contact Features

Crimp Wire Terminal Type

Shur-Plug

Mating Pin Diameter

4.57 mm [.18 in]

Barrel Type

Open

Terminal Plating Material

Tin

Terminal Orientation

Straight

Mechanical Attachment

Wire Insulation Support

With

Dimensions

Compatible Insulation Diameter Range

2.29 - 3.05 mm, 3.05 mm [.09 - .12 in][.12 in]

Wire Size

1021 - 2582 CMA

Barrel Inside Diameter	1.29 mm, 2.54 mm[.051 in][.1 in]
Terminal Material Thickness	.41 mm[.016 in]
Overall Product Length	19.94 mm[.785 in]

Usage Conditions

Insulation Option	Uninsulated
Operating Temperature Range	-40 - 105 °C[-40 - 221 °F]

Packaging Features

Packaging Quantity	12500
Packaging Method	Reel

Product Compliance

[For compliance documentation, visit the product page on TE.com>](#)

EU RoHS Directive 2011/65/EU	Compliant
EU ELV Directive 2000/53/EC	Compliant
China RoHS 2 Directive MIIT Order No 32, 2016	No Restricted Materials Above Threshold
EU REACH Regulation (EC) No. 1907/2006	Current ECHA Candidate List: JAN 2024 (240) Candidate List Declared Against: JAN 2024 (240) Does not contain REACH SVHC
Halogen Content	Low Halogen - Br, Cl, F, I < 900 ppm per homogenous material. Also BFR/CFR/PVC Free
Solder Process Capability	Not applicable for solder process capability

Product Compliance Disclaimer

This information is provided based on reasonable inquiry of our suppliers and represents our current actual knowledge based on the information they provided. This information is subject to change. The part numbers that TE has identified as EU RoHS compliant have a maximum concentration of 0.1% by weight in homogenous materials for lead, hexavalent chromium, mercury, PBB, PBDE, DBP, BBP, DEHP, DIBP, and 0.01% for cadmium, or qualify for an exemption to these limits as defined in the Annexes of Directive 2011/65/EU (RoHS2). Finished electrical and electronic equipment products will be CE marked as required by Directive 2011/65/EU. Components may not be CE marked. Additionally, the part numbers that TE has identified as EU ELV compliant have a maximum concentration of 0.1% by weight in homogenous materials for lead, hexavalent chromium, and mercury, and 0.01% for cadmium, or qualify for an exemption to these limits as defined in the Annexes of Directive 2000/53/EC (ELV). Regarding the REACH Regulation, the information TE provides on SVHC in articles for this part number is based on the latest European Chemicals Agency (ECHA) 'Guidance on requirements for substances in articles' posted at this URL: <https://echa.europa.eu/guidance-documents/guidance-on-reach>

Compatible Parts




TE Part # 42700-1
SHUR PLUG 180 RECEPTACLE 20-16 AWG BR



TE Part # 42749-1
SHUR PLUG 180 REC 20-16 AWG BR



TE Part # 1217074-2
SHUR PLUG, 180, REC., 2 X 8 AWG, TPBR



TE Part # 62757-1
225 DIA PIN 18-14 016BR



TE Part # 2150372-2
OCEAN_2.0 APPLICATOR-E-090F1300-REA




TE Part # 7-2150372-7
OCEAN_2.0 SPARE PART KIT-090F1300



TE Part # 7-2150372-2
OCEAN_2.0 APPLICATOR-E-090F1300


Also in the Series | SHUR-PLUG 180



Crimp Terminal Housings(6)



Crimp Wire Pins, Tabs & Ferrules(37)



Special Purpose Terminals(1)

Customers Also Bought



TE Part # 66564-8
III+ PIN, 24-20, 30AU/FL, STRIP



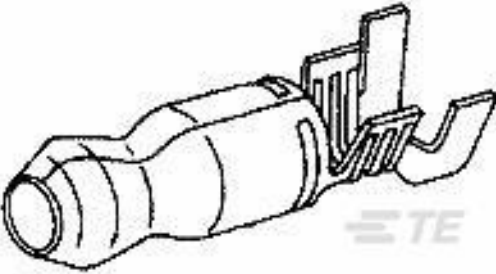
TE Part # 160038
SOLIS 12-10 R 10MM



TE Part # 643407-1
06P UMNL PIN HDR ASSY POL NATL



TE Part # 61844-1
RING TERMINAL 12-10 AWG .0395X.650 TPCU



TE Part # 505038-1
SHUR PLUG 180 CRIMP TAB 20-16 AWG BR



TE Part # 776539-4
AMPSEAL 16 Housings



TE Part # 2-320569-3
TERM, RT, PIDG, 12-10, 1/4, T&R



TE Part # 40660
RING 164(4.17 MM) TERMINAL 18-14 AWG BR



Documents

Product Drawings

[SHUR PLUG 180 RECEPTACLE 20-16 AWG TPBR](#)

English

CAD Files

[3D PDF](#)

3D

Customer View Model

[ENG_CVM_CVM_42531-2_BD.2d_dxf.zip](#)

English

Customer View Model

[ENG_CVM_CVM_42531-2_BD.3d_igs.zip](#)

English

Customer View Model

[ENG_CVM_CVM_42531-2_BD.3d_stp.zip](#)

English

By downloading the CAD file I accept and agree to the [Terms and Conditions](#) of use.

Product Specifications

[Application Specification](#)

English

Agency Approvals

[Agency Approval Document](#)

English