

640902-1 ✓ ACTIVE

FASTON | FASTON 250

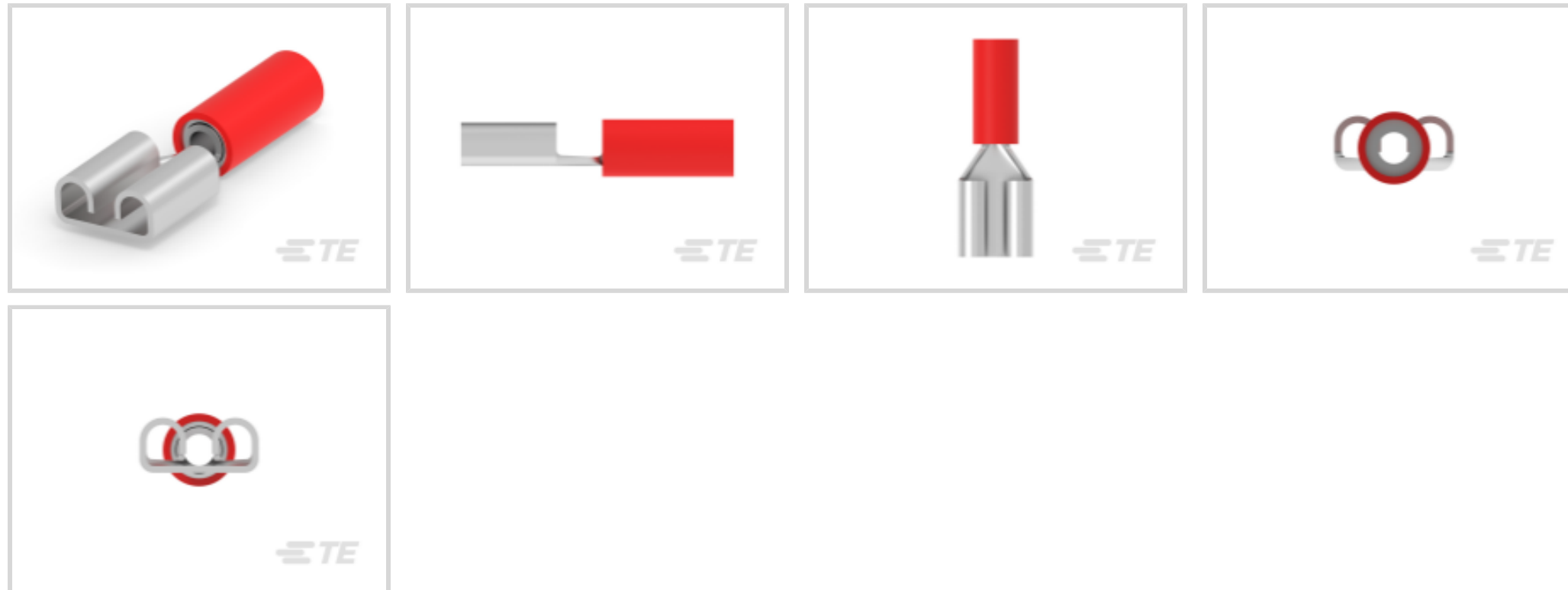
TE Internal #: 640902-1

Quick Disconnects, Receptacle, 22 - 18 AWG Wire Size, .26 - .96 mm<sup>2</sup> Wire Size, 509 - 1900 CMA Wire Size, Mating Tab Width 6.35 mm [.25 in], FASTON 250

[View on TE.com >](#)



Terminals & Splices > Quick Disconnects



Quick Disconnect Terminal Type: **Receptacle**

Wire Size: **509 - 1900 CMA**

Mating Tab Width: **6.35 mm [.25 in]**

## Features

### Product Type Features

Terminal Features	Wire Stop
Insertion Force	Normal

### Body Features

Insulation Material	Nylon
---------------------	-------

### Contact Features

Quick Disconnect Terminal Type	Receptacle
Mating Tab Width	6.35 mm [.25 in]
Mating Tab Thickness	.81 mm [.032 in]
Terminal Orientation	Straight
Contact Base Material	Brass
Terminal Plating Material	Tin
Crimp Type	Compression
Barrel Type	Closed

### Termination Features

Product Terminates To	Wire & Cable
-----------------------	--------------



### Mechanical Attachment

Wire Insulation Support	With
Mating Retention Type	Dimple

### Dimensions

Terminal Material Thickness	.46 mm[.018 in]
Product Length	22.9 mm[.9 in]
Compatible Insulation Diameter Range	3.56 mm[.14 in]
Wire Size	509 - 1900 CMA

### Usage Conditions

Insulation Option	Partially Insulated
Operating Temperature Range	105 °C[221 °F]

### Industry Standards

Compatible With Agency/Standards Products	CSA, RU (UL Component Program)
---	--------------------------------

### Packaging Features

Packaging Quantity	3500
Packaging Method	Reel

### Other

Barrel Color	Red
--------------	-----

## Product Compliance

[For compliance documentation, visit the product page on TE.com>](#)

EU RoHS Directive 2011/65/EU	Compliant
EU ELV Directive 2000/53/EC	Compliant
China RoHS 2 Directive MIIT Order No 32, 2016	No Restricted Materials Above Threshold
EU REACH Regulation (EC) No. 1907/2006	Current ECHA Candidate List: JAN 2024 (240) Candidate List Declared Against: JAN 2024 (240) Does not contain REACH SVHC
Halogen Content	Low Halogen - Br, Cl, F, I < 900 ppm per homogenous material. Also BFR/CFR/PVC Free
Solder Process Capability	Not applicable for solder process capability

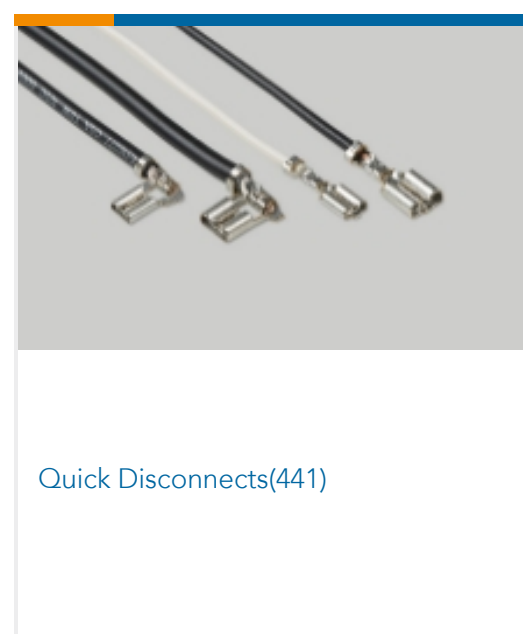
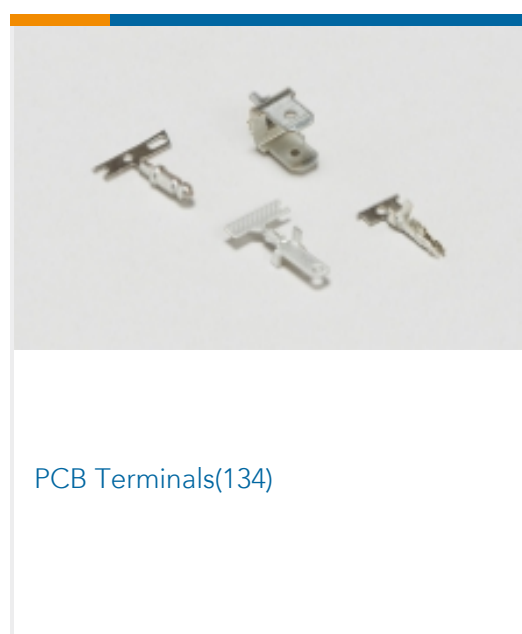
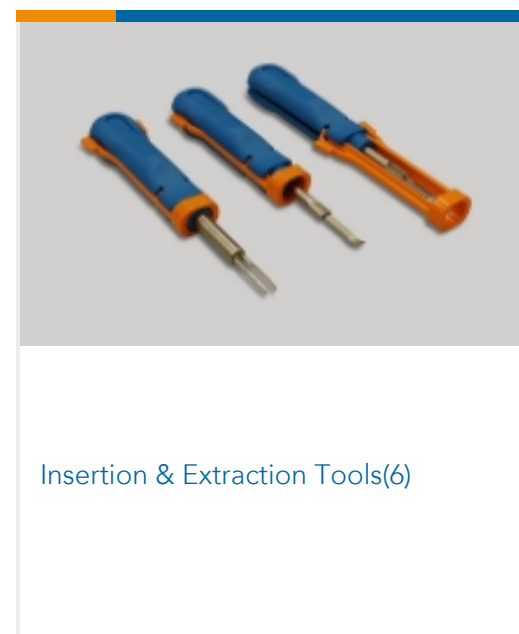
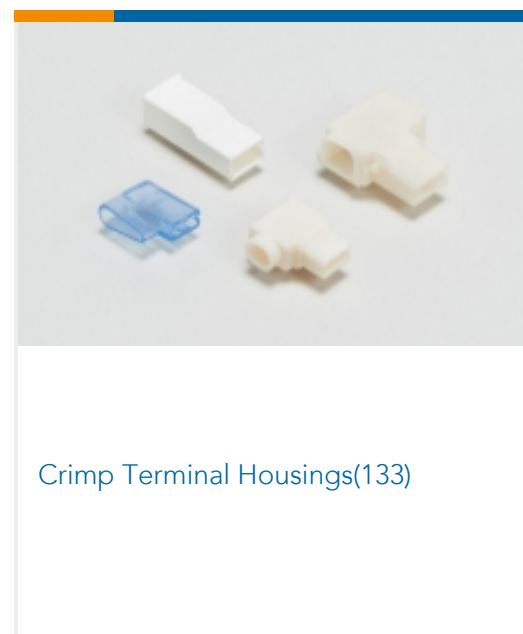
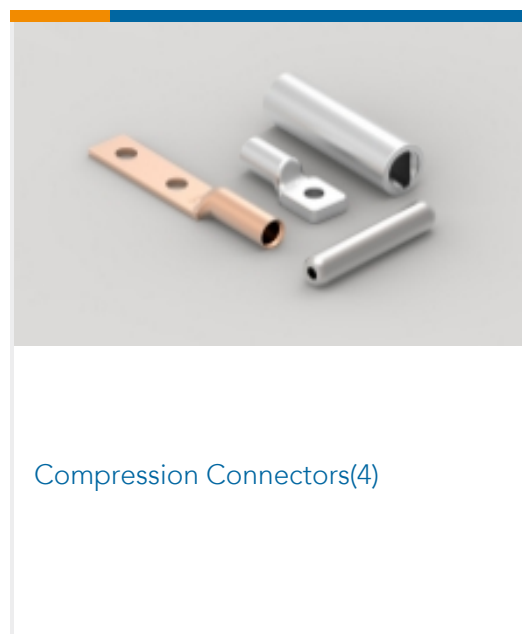
Product Compliance Disclaimer

This information is provided based on reasonable inquiry of our suppliers and represents our current actual knowledge based on the information they provided. This information is subject to change. The part numbers that TE has identified as EU RoHS compliant have a maximum concentration of 0.1% by weight in homogenous materials for lead, hexavalent chromium, mercury, PBB, PBDE, DBP, BBP, DEHP, DIBP, and 0.01% for cadmium, or qualify for an exemption to these limits as defined in the Annexes of Directive 2011/65/EU (RoHS2). Finished electrical and electronic equipment products will be CE marked as required by Directive 2011/65/EU. Components may not be CE marked. Additionally, the part numbers that TE has identified as EU ELV compliant have a maximum concentration of 0.1% by weight in homogenous materials for lead, hexavalent chromium, and mercury, and 0.01% for cadmium, or qualify for an exemption to these limits as defined in the Annexes of Directive 2000/53/EC (ELV). Regarding the REACH Regulation, the information TE provides on SVHC in articles for this part number is based on the latest European Chemicals Agency (ECHA) 'Guidance on requirements for substances in articles' posted at this URL: <https://echa.europa.eu/guidance-documents/guidance-on-reach>

## Compatible Parts



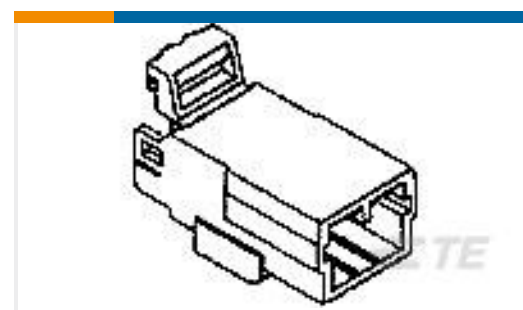
## Also in the Series | FASTON 250



## Customers Also Bought



TE Part # 2-34160-1  
TERMINAL,PG R 16-14 8, TAPE



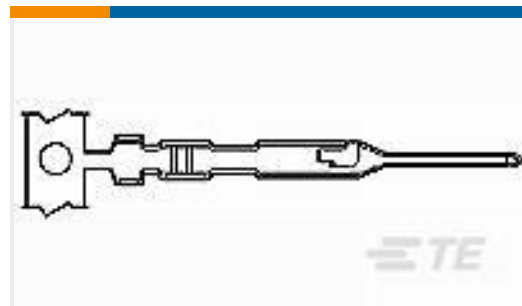
TE Part # 174930-1  
070 MLC W-W CAP HSG 6P SGL



TE Part # 52955-1  
TERMINAL,PG SPR SPD 16-14 6



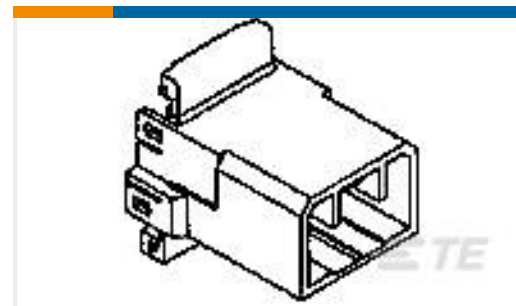
TE Part # 1658622-7  
30 NOVO MIL/CTR 30DP,LEAD FREE



TE Part # 104505-7  
MTE PIN LP



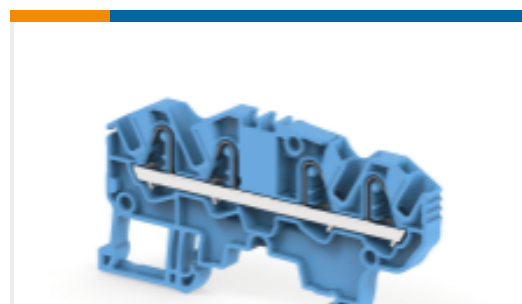
TE Part # 6609069-3  
16FC10 J0=F7740



TE Part # 1-174931-1  
070 MLC W-W CAP HSG 8P F/A



TE Part # 1-103653-1  
12 MTE SHRD PIN HSG SR LATCH



TE Part # 1SNK705022R0000  
ZK2.5-4P-BL



TE Part # 1601637-1  
L076/0926R16BX=MTM 1800-4600

## Documents

### Product Drawings

[RECEPT,PIDG FASTON 22-18 250](#)

English

### CAD Files

[3D PDF](#)

3D

Customer View Model

[ENG\\_CVM\\_CVM\\_640902-1\\_L.2d\\_dxf.zip](#)

English

Customer View Model

[ENG\\_CVM\\_CVM\\_640902-1\\_L.3d\\_igs.zip](#)

English

Customer View Model

[ENG\\_CVM\\_CVM\\_640902-1\\_L.3d\\_stp.zip](#)

English

Customer View Model

[ENG\\_CVM\\_640902-1\\_CE.3d\\_igs.zip](#)

English



**Customer View Model**

[ENG\\_CVM\\_640902-1\\_CE.3d\\_stp.zip](#)

English

**Customer View Model**

[ENG\\_CVM\\_640902-1\\_CE.2d\\_dxf.zip](#)

English

**3D PDF**

English

By downloading the CAD file I accept and agree to the [Terms and Conditions](#) of use.

---

**Datasheets & Catalog Pages**

[PIDG\\_FASTON](#)

English

[Ultra-Fast and Ultra Fast Plus](#)

English

---

**Product Specifications**

[Application Specification](#)

English

---

**Agency Approvals**

[UL Report](#)

English