



Relays & Contactors > Relays > Relay Accessories, Sockets & Clips



Relay Accessory Type: **Accessory, Retaining Clip**

Features

Product Type Features

Relay Accessory Type	Accessory, Retaining Clip
----------------------	---------------------------

Product Compliance

[For compliance documentation, visit the product page on TE.com>](#)

EU RoHS Directive 2011/65/EU	Compliant
EU ELV Directive 2000/53/EC	Compliant
China RoHS 2 Directive MIIT Order No 32, 2016	No Restricted Materials Above Threshold
EU REACH Regulation (EC) No. 1907/2006	Current ECHA Candidate List: JAN 2024 (240) Candidate List Declared Against: JAN 2024 (240) Does not contain REACH SVHC
Halogen Content	Low Halogen - Br, Cl, F, I < 900 ppm per homogenous material. Also BFR/CFR/PVC Free
Solder Process Capability	Not applicable for solder process capability

Product Compliance Disclaimer

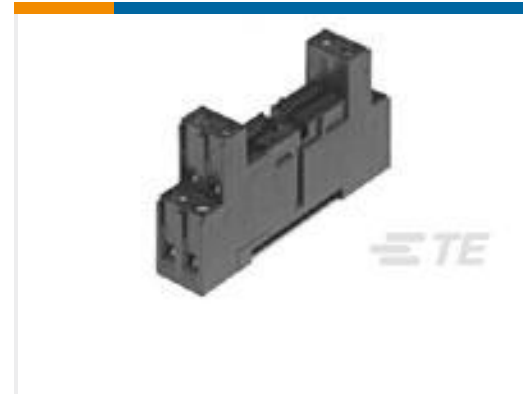
This information is provided based on reasonable inquiry of our suppliers and represents our current actual knowledge based on the information they provided. This information is subject to change. The part numbers that TE has identified as EU RoHS compliant have a maximum concentration of 0.1% by weight in homogenous materials for lead, hexavalent chromium, mercury, PBB, PBDE, DBP, BBP, DEHP, DIBP, and 0.01% for cadmium, or qualify for an exemption to these limits as defined in the Annexes of Directive 2011/65/EU (RoHS2). Finished electrical and electronic equipment products

will be CE marked as required by Directive 2011/65/EU. Components may not be CE marked. Additionally, the part numbers that TE has identified as EU ELV compliant have a maximum concentration of 0.1% by weight in homogenous materials for lead, hexavalent chromium, and mercury, and 0.01% for cadmium, or qualify for an exemption to these limits as defined in the Annexes of Directive 2000/53/EC (ELV). Regarding the REACH Regulation, the information TE provides on SVHC in articles for this part number is based on the latest European Chemicals Agency (ECHA) 'Guidance on requirements for substances in articles' posted at this URL: <https://echa.europa.eu/guidance-documents/guidance-on-reach>

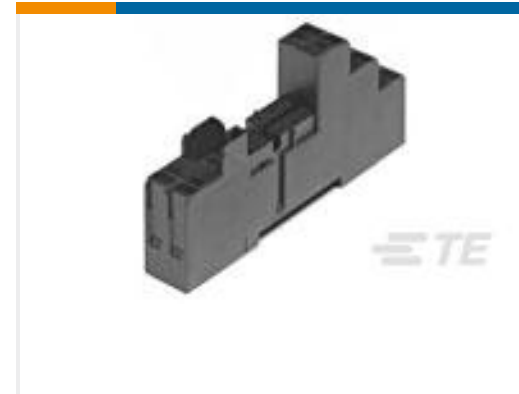
Compatible Parts



TE Part # 6-1415035-1
RT78726

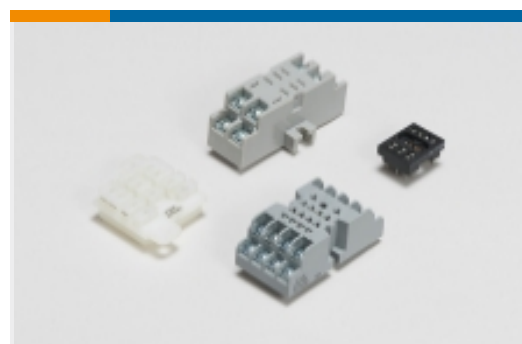


TE Part # 1860306-1
RT78725



TE Part # 1860200-1
RT7872P

Also in the Series | SCHRACK Accessories PT/RT/XT



Relay Accessories, Sockets & Clips(33)

Customers Also Bought



TE Part # 8503232002
DWTC-12/3-X-STK



TE Part # 3-643813-8
08P MTA100 CONN ASSY POL RIB



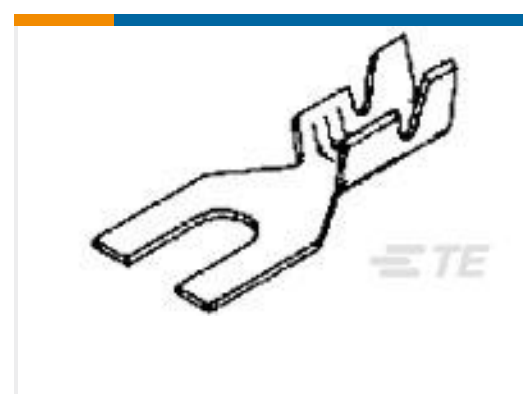
TE Part # 1-1415012-1
V23047-A1110-A501



TE Part # 1-1393154-2
PT570024



TE Part # 5-1415036-1
PTML0024



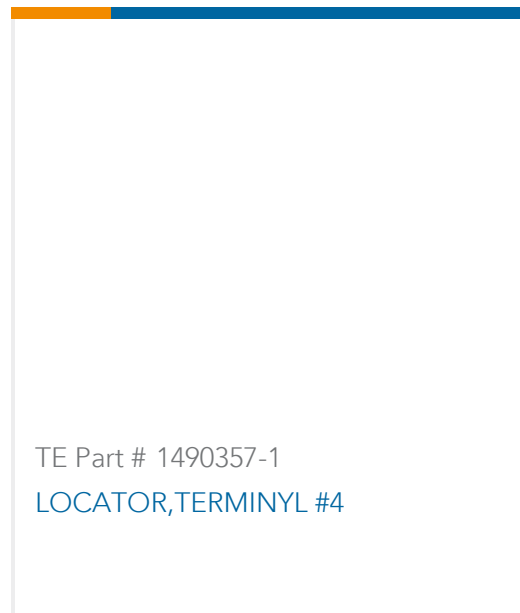
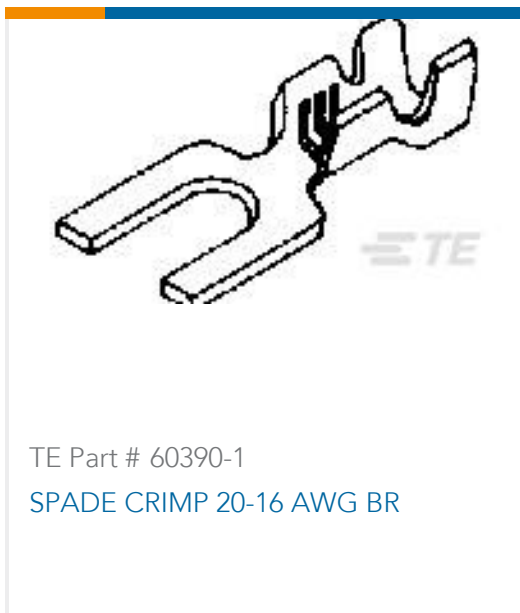
TE Part # 60774-1
SPADE TERMINAL 18-14 AWG BR



TE Part # 2-111623-4
40, 2MM, POL,30 DP, LEAD FREE



TE Part # 2-1415036-1
PTMG0024



Documents

CAD Files

[3D PDF](#)

[3D](#)

Customer View Model

[ENG_CVM_CVM_2022104-1_A_c-2022104-1-a.2d_dxf.zip](#)

English

Customer View Model

[ENG_CVM_CVM_2022104-1_A_c-2022104-1-a.3d_igs.zip](#)

English

Customer View Model

[ENG_CVM_CVM_2022104-1_A_c-2022104-1-a.3d_stp.zip](#)

English

By downloading the CAD file I accept and agree to the [Terms and Conditions](#) of use.

Datasheets & Catalog Pages

[Accessories - Power Relay XT](#)

English

Product Specifications

[Definitions General Purpose Relays](#)

English