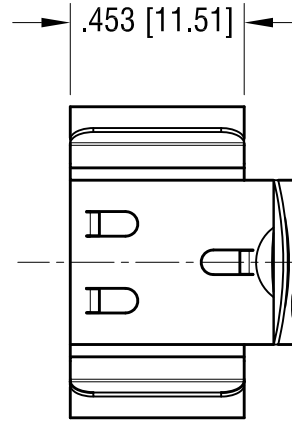
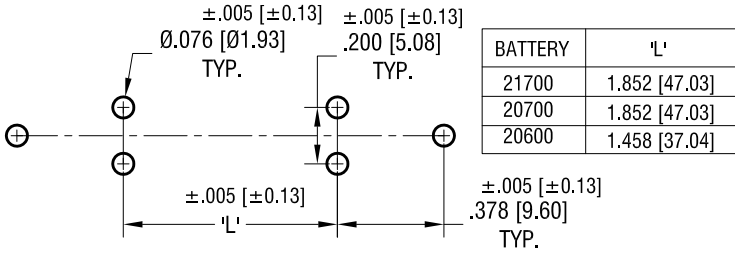
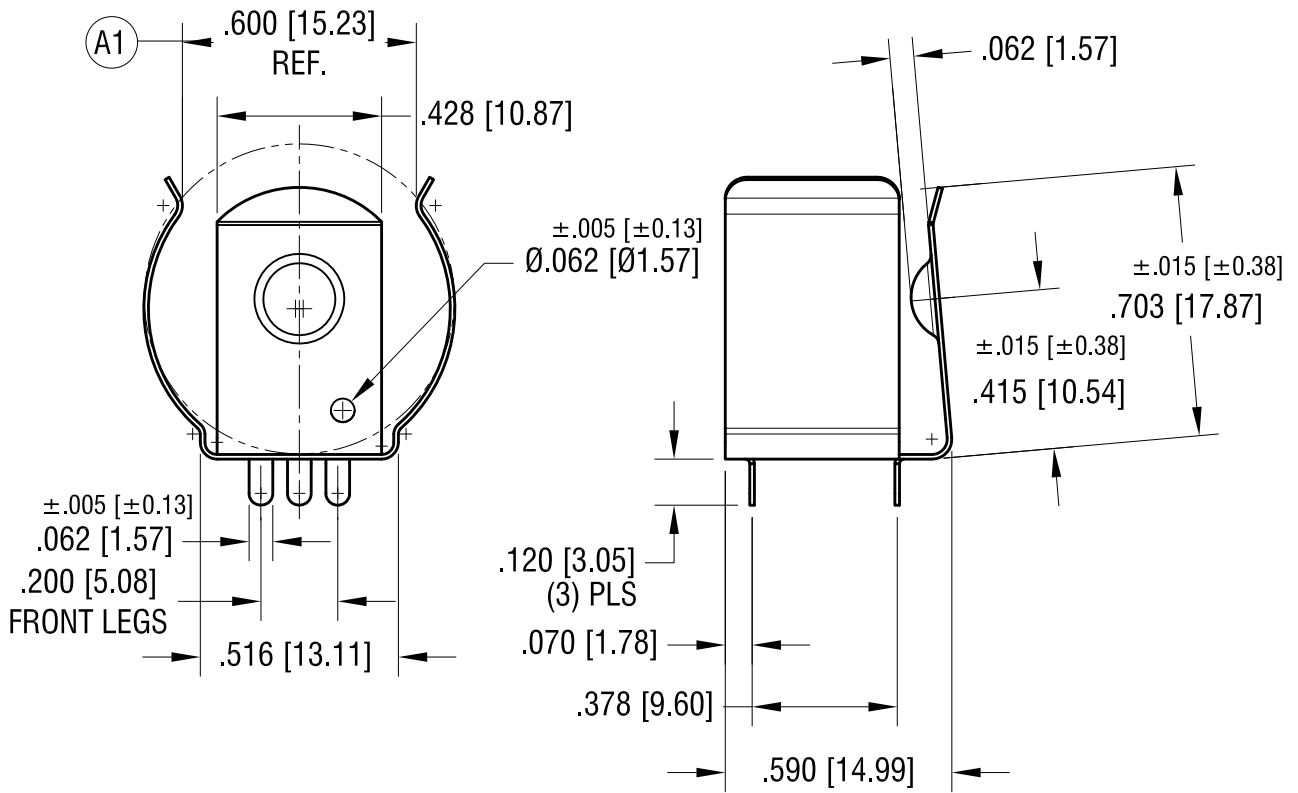
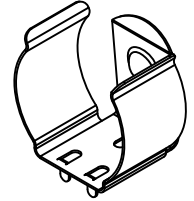


THIS DOCUMENT IS THE PROPERTY OF KEYSTONE ELECTRONICS CORP. AND SHALL NOT BE REPRODUCED, DISTRIBUTED OR USED AS A BASIS FOR MANUFACTURE WITHOUT PRIOR WRITTEN PERMISSION FROM KEYSTONE ELECTRONICS CORP.

MOUNTING LAYOUT



ACTUAL SIZE



NOTE:

1. HEAT TREAT TO SPRING TEMPER

(A1) WAS .609 REF.

8.14.23 CHANGE AS PER ECN 23-138

A

KEYSTONE ELECTRONICS CORP.			
www.keyelco.com • NEW HYDE PARK, NY 11040 • Tel (516) 328-7500			
PART NAME		20mm - 21mm BATTERY CLIP	
MATERIAL		.012 [0.30] TH'K ANNEALED SPRING STEEL	
FINISH	TIN NICKEL PLATE	DRN BY	NT
		DATE	10.11.17
		APP'D	RH
		SCALE	2X
TOLERANCES	INCH [MM]	CODE	DWG NO.
DECIMAL	$\pm .010 [\pm 0.25]$	C	
ANGULAR	$\pm 2^\circ$		
UNLESS OTHERWISE SPECIFIED			247

DATE DESCRIPTION

REV.