

63604-1 ✓ ACTIVE

FASTON | FASTON 250

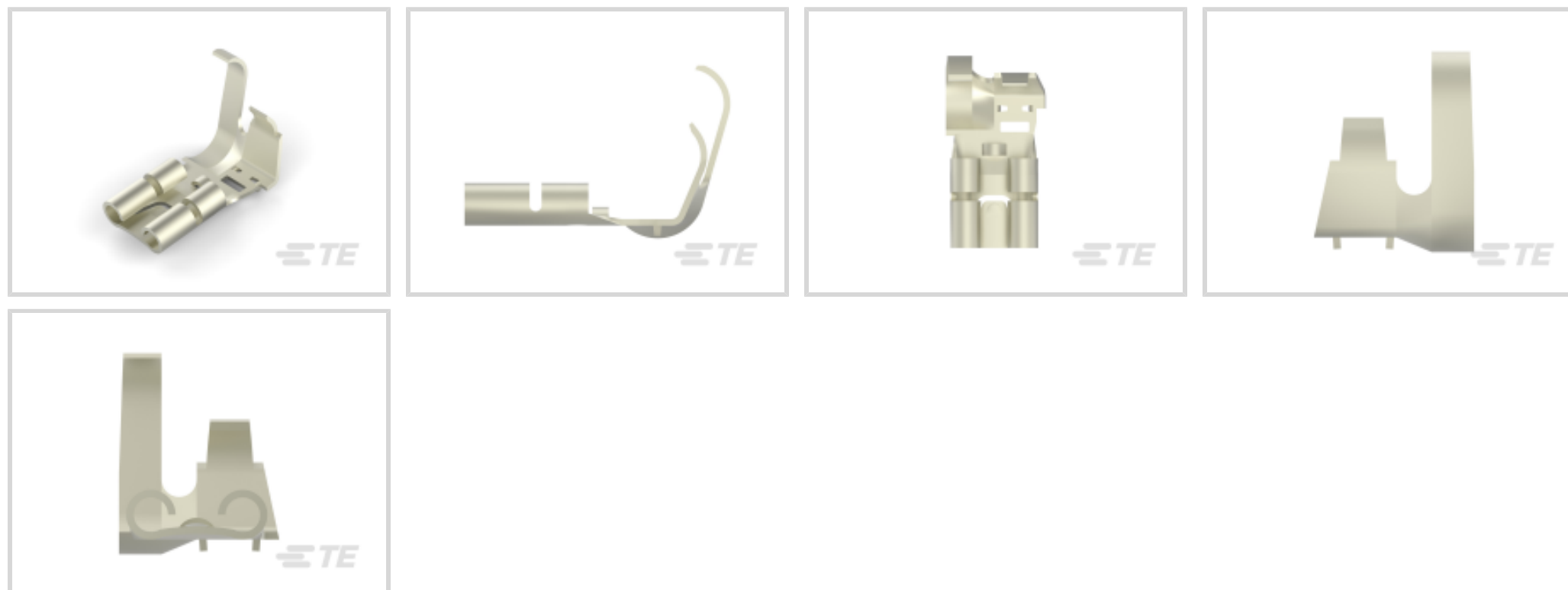
TE Internal #: 63604-1

Quick Disconnects, Receptacle, 18 - 12 AWG Wire Size, .82 - 3.31 mm² Wire Size, Mating Tab Width 6.35 mm [.25 in], Flag, Steel, FASTON 250

[View on TE.com >](#)



Terminals & Splices > Quick Disconnects



Quick Disconnect Terminal Type: **Receptacle**

Wire Size: **.82 - 3.31 mm²**

Mating Tab Width: **6.35 mm [.25 in]**

Mating Tab Thickness: **.81 mm [.032 in]**

Features

Product Type Features

Insertion Force	Low
-----------------	-----

Configuration Features

Connection Capacity	Single
---------------------	--------

Compatible With Wire & Cable Type	Discrete Wire
-----------------------------------	---------------

Contact Features

Quick Disconnect Terminal Type	Receptacle
--------------------------------	------------

Mating Tab Width	6.35 mm [.25 in]
------------------	------------------

Mating Tab Thickness	.81 mm [.032 in]
----------------------	------------------

Terminal Orientation	Flag
----------------------	------

Contact Base Material	Steel
-----------------------	-------

Terminal Plating Material	Nickel
---------------------------	--------

Crimp Type	Tab-Lok
------------	---------

Barrel Type	Open
-------------	------

Termination Features



Product Terminates To	Wire & Cable
-----------------------	--------------

Mechanical Attachment

Wire Insulation Support	With
Mating Retention Type	Dimple

Dimensions

Terminal Material Thickness	.41 mm[.016 in]
Product Length	17.02 mm[.67 in]
Compatible Insulation Diameter Range	2.79 - 5.33 mm[.11 - .21 in]
Wire Size	.82 - 3.31 mm ²

Usage Conditions

Insulation Option	Uninsulated
Operating Temperature Range	-40 - 250 °C[-40 - 482 °F]

Industry Standards

Compatible With Agency/Standards Products	UL
---	----

Packaging Features

Packaging Quantity	3500
Packaging Method	Strip/Reel

Other

Line	Premier
------	---------

Product Compliance

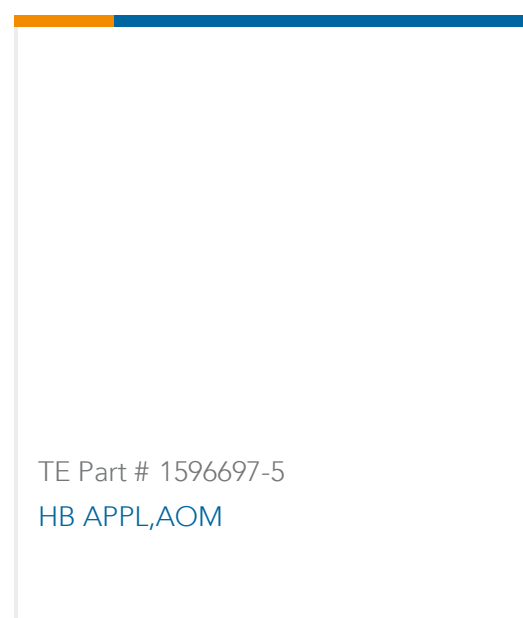
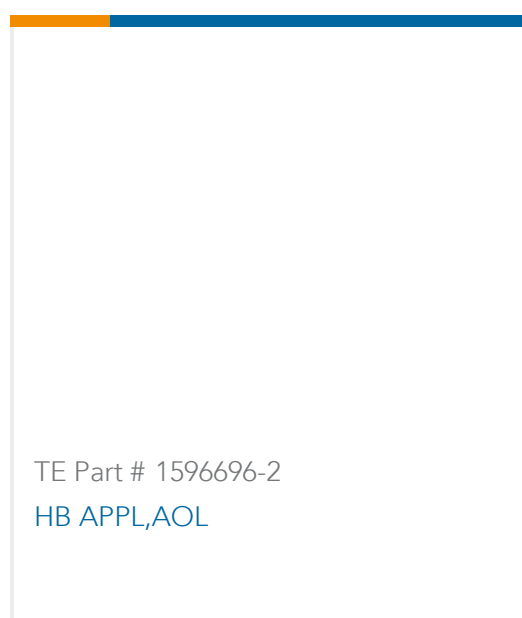
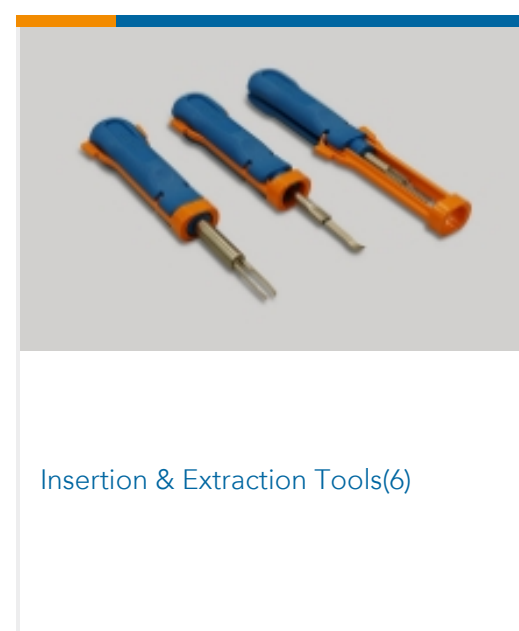
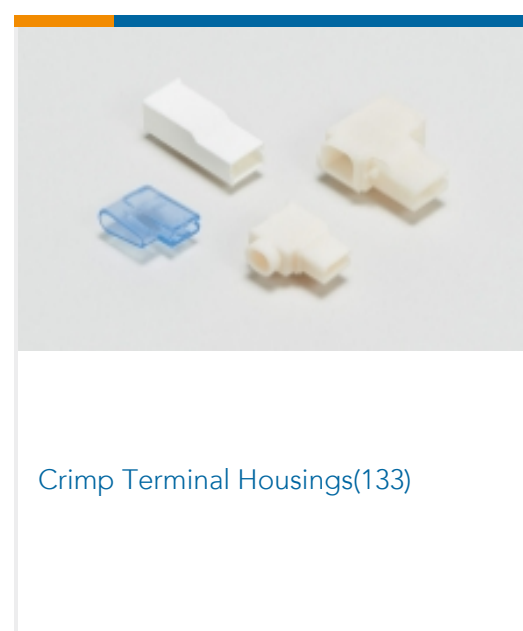
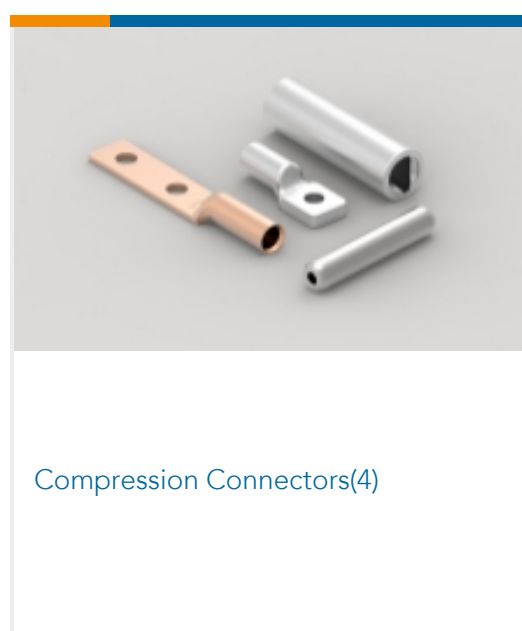
[For compliance documentation, visit the product page on TE.com>](#)

EU RoHS Directive 2011/65/EU	Compliant
EU ELV Directive 2000/53/EC	Compliant
China RoHS 2 Directive MIIT Order No 32, 2016	No Restricted Materials Above Threshold
EU REACH Regulation (EC) No. 1907/2006	Current ECHA Candidate List: JAN 2024 (240) Candidate List Declared Against: JAN 2024 (240) Does not contain REACH SVHC
Halogen Content	Low Halogen - Br, Cl, F, I < 900 ppm per homogenous material. Also BFR/CFR/PVC Free
Solder Process Capability	Not applicable for solder process capability

Product Compliance Disclaimer

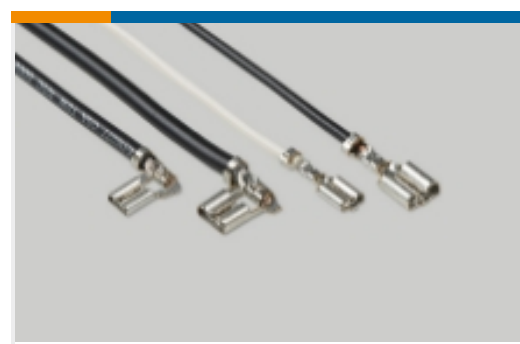
This information is provided based on reasonable inquiry of our suppliers and represents our current actual knowledge based on the information they provided. This information is subject to change. The part numbers that TE has identified as EU RoHS compliant have a maximum concentration of 0.1% by weight in homogenous materials for lead, hexavalent chromium, mercury, PBB, PBDE, DBP, BBP, DEHP, DIBP, and 0.01% for cadmium, or qualify for an exemption to these limits as defined in the Annexes of Directive 2011/65/EU (RoHS2). Finished electrical and electronic equipment products will be CE marked as required by Directive 2011/65/EU. Components may not be CE marked. Additionally, the part numbers that TE has identified as EU ELV compliant have a maximum concentration of 0.1% by weight in homogenous materials for lead, hexavalent chromium, and mercury, and 0.01% for cadmium, or qualify for an exemption to these limits as defined in the Annexes of Directive 2000/53/EC (ELV). Regarding the REACH Regulation, the information TE provides on SVHC in articles for this part number is based on the latest European Chemicals Agency (ECHA) 'Guidance on requirements for substances in articles' posted at this URL: <https://echa.europa.eu/guidance-documents/guidance-on-reach>

Compatible Parts

Also in the Series | **FASTON 250**



PCB Terminals(134)

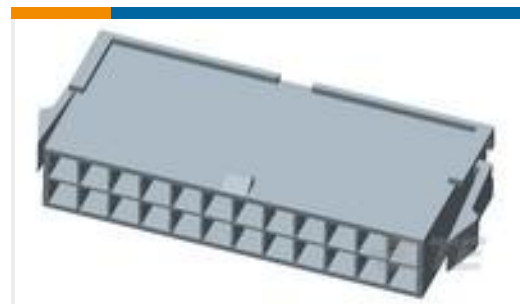
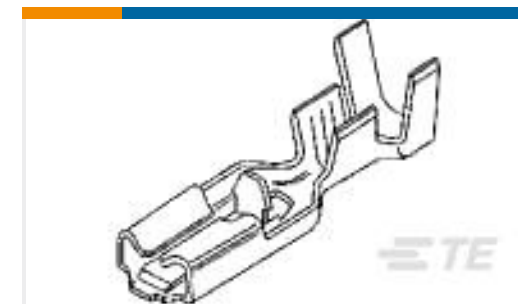
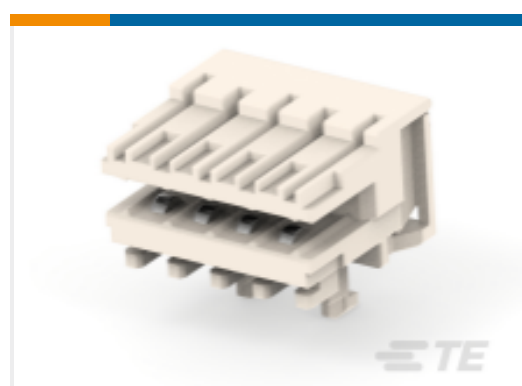
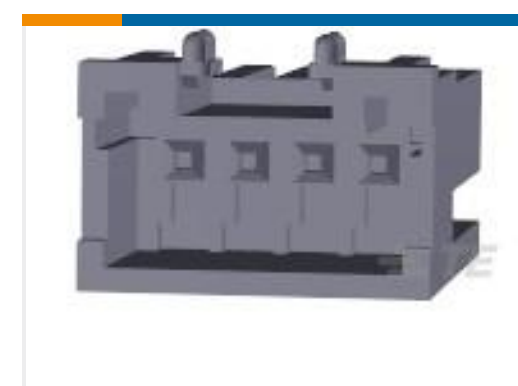
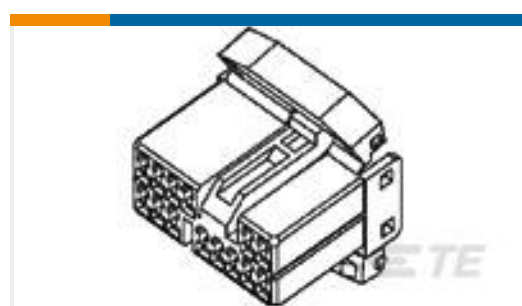


Quick Disconnects(441)



Splices(4)

Customers Also Bought

TE Part # 1-1969442-1
EP 2.5 TPA Housing, 11 PosTE Part # 1969613-4
4P PM PLUG VAL-U-LOK V0TE Part # 1747995-2
GHC EYELET 6.2 3POS PLUG
HOUSING REDTE Part # 63119-1
POSITIVE LOCK 250 REC 22-18 AWG
TPBRTE Part # 2-2304525-4
AMP DUOPLUG MK2 CONNECTOR 4PTE Part # 2238135-2
RECEPTACLE, POSITIVE-LOCK, RAST
6.35TE Part # 8-2338183-4
EP 2.5 HOUSING 4P, GREEN, UL
versionTE Part # 316088-2
2.5MM SIGNAL DBL LOCK 4P CAP HTE Part # 917531-1
040 MLC T.F. PLUG HSG 14P NATUTE Part # 8-2293382-3
AMP MONO-SHAPE TAB CONN 3P
GW-V0

Documents

Product Drawings

250 FASTON FLAG REC 18-12 AWG NPST

English

CAD Files

3D PDF

3D

Customer View Model

ENG_CVM_CVM_63604-1_H.2d_dxf.zip



English

Customer View Model

[ENG_CVM_CVM_63604-1_H.3d_igs.zip](#)

English

Customer View Model

[ENG_CVM_CVM_63604-1_H.3d_stp.zip](#)

English

By downloading the CAD file I accept and agree to the [Terms and Conditions](#) of use.

Datasheets & Catalog Pages

[1654742_HOUSEHOLD_APPLIANCES_RAST5](#)

English

[82004 FASTON Terminals \(Insulated and Uninsulated\) Catalog - FASTON Receptacles Section](#)

English

Product Specifications

[Application Specification](#)

English