

63658-5 ✓ ACTIVE

## MAG-MATE

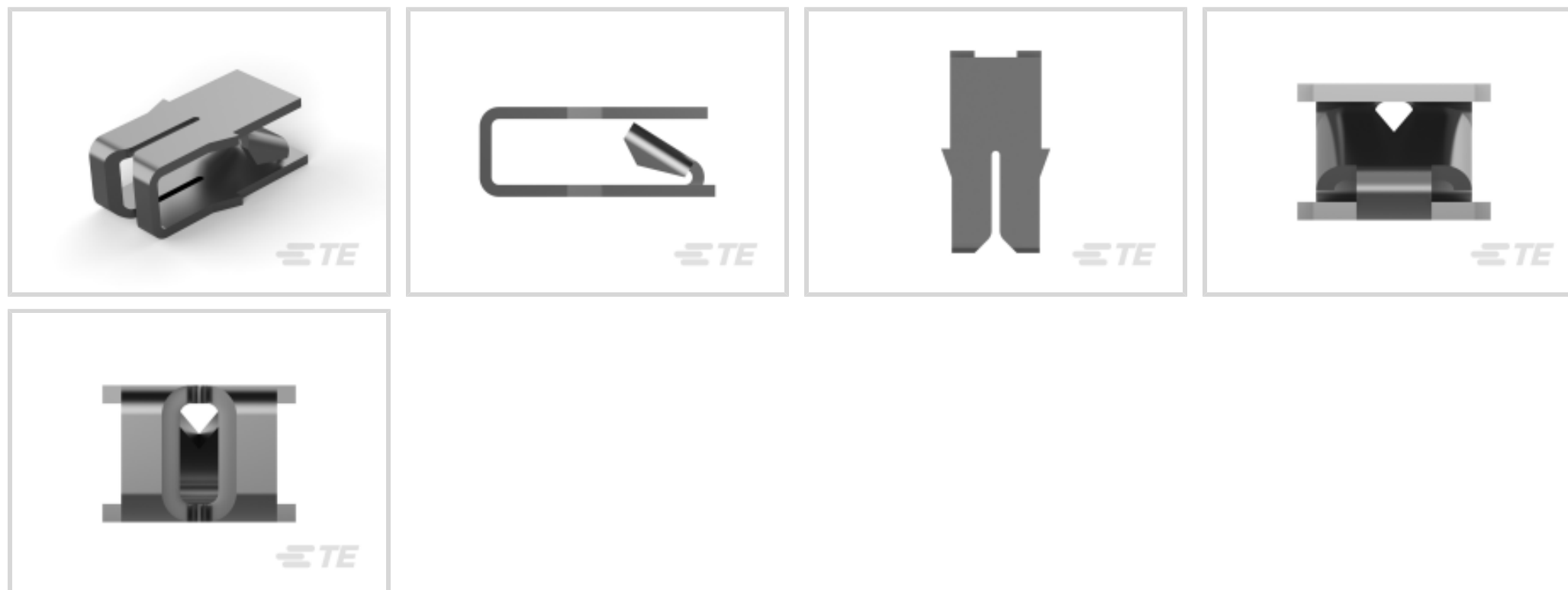
TE Internal #: 63658-5

Magnet Wire Terminals, Poke-In, Size 2, .57 - .72 mm Aluminum Wire, Lead Wire Size 20 - 18 AWG, Lead Wire Size .5 - .9 mm<sup>2</sup>, MAG-MATE

[View on TE.com >](#)



Terminals & Splices > Magnet Wire Terminals



Magnet Wire Terminal Type: **Poke-In**

Compatible With Cavity Size: **Size 2**

Aluminum Wire Size: **.57 - .72 mm**

Lead Wire Size: **.5 - .9 mm<sup>2</sup>**

### Features

#### Product Type Features

Compatible With Discrete Wire Type

Magnet Wire, Solid

#### Body Features

Compatible With Cavity Size

Size 2

#### Contact Features

Magnet Wire Terminal Type

Poke-In

Terminal Plating Material

Tin

Terminal Orientation

Twisted

#### Termination Features

Termination Method to Wire & Cable

Insulation Displacement (IDC)

#### Mechanical Attachment

Mating Retention Type

Locking

#### Dimensions

Terminal Height

7.62 mm[.3 in]

Aluminum Wire Size

.57 - .72 mm



Lead Wire Size	.5 - .9 mm <sup>2</sup>
Magnet Wire Size	.45 - .64 mm
Stock Thickness (Magnet Wire Side)	.41 mm[.016 in]
Product Length	7.87 mm[.31 in]

### Usage Conditions

Insulation Option	Uninsulated
Operating Temperature Range	-65 - 150 °C[-85 - 302 °F]

### Operation/Application

Compatible With Wire Base Material	Aluminum, Copper
------------------------------------	------------------

### Packaging Features

Packaging Method	Reel, Reel/Carton
------------------	-------------------

## Product Compliance

[For compliance documentation, visit the product page on TE.com>](#)

EU RoHS Directive 2011/65/EU	Compliant
EU ELV Directive 2000/53/EC	Compliant
China RoHS 2 Directive MIIT Order No 32, 2016	No Restricted Materials Above Threshold
EU REACH Regulation (EC) No. 1907/2006	Current ECHA Candidate List: JAN 2024 (240) Candidate List Declared Against: JAN 2024 (240) Does not contain REACH SVHC
Halogen Content	Low Halogen - Br, Cl, F, I < 900 ppm per homogenous material. Also BFR/CFR/PVC Free
Solder Process Capability	Not applicable for solder process capability

#### Product Compliance Disclaimer

This information is provided based on reasonable inquiry of our suppliers and represents our current actual knowledge based on the information they provided. This information is subject to change. The part numbers that TE has identified as EU RoHS compliant have a maximum concentration of 0.1% by weight in homogenous materials for lead, hexavalent chromium, mercury, PBB, PBDE, DBP, BBP, DEHP, DIBP, and 0.01% for cadmium, or qualify for an exemption to these limits as defined in the Annexes of Directive 2011/65/EU (RoHS2). Finished electrical and electronic equipment products will be CE marked as required by Directive 2011/65/EU. Components may not be CE marked. Additionally, the part numbers that TE has identified as EU ELV compliant have a maximum concentration of 0.1% by weight in homogenous materials for lead, hexavalent chromium, and mercury, and 0.01% for cadmium, or qualify for an exemption to these limits as defined in the Annexes of Directive 2000/53/EC (ELV). Regarding the REACH Regulation, the information TE provides on SVHC in articles for this part number is based on the latest European Chemicals Agency (ECHA) 'Guidance on requirements for substances in articles' posted at this URL: <https://echa.europa.eu/guidance-documents/guidance-on-reach>

## Compatible Parts



TE Part # 1217234-1  
MAG-MATE TERM 28-31 013TPBR



TE Part # 62833-1  
MAG-MATE POKE-IN TERM 016TPBR



TE Part # 63658-1  
MAG MATE TERM 25-22 016TPBR



TE Part # 63591-1  
MAG-MATE TERM #20 016TPBR



TE Part # 1217082-1  
TERM MAG-MATE 25-22 016 TPHPBZ



TE Part # 63861-1  
TERM, MAG-MATE 27-24 016TPPHBZ



TE Part # 62833-2  
MAG-MATE POKE-IN TERM 016TPBR



TE Part # 62833-4  
TERMINAL,POKE-IN,MAG-MATE



TE Part # 62912-1  
MAG-MATE POKE-IN 016 TPBR



TE Part # 63658-2  
MAG-MATE TERM 25-22 016 TPBR



TE Part # 63658-7  
MAG-MATE TERM 25-22 016 TPBR



TE Part # 63044-1  
MAG-MATE TERM 27-23 016 TPBR



TE Part # 1217209-1  
TERM SPL TRISLOT 300 MTA MAG



TE Part # 1217757-1  
TERM,POKE-IN,LP, MAG-MATE



TE Part # 62429-4  
MAG-MATE TERM 27-30 013BR



TE Part # 63658-3  
MAG MATE TERM 25-22 016TPBR



TE Part # 737434-2  
MAG-MATE POKE-IN TERMINAL



TE Part # 62842-1  
MAG-MATE TERM 23-26 016 TPBR

Also in the Series | **MAG-MATE**



Insertion &amp; Extraction Tools(6)



Magnet Wire Terminals(337)

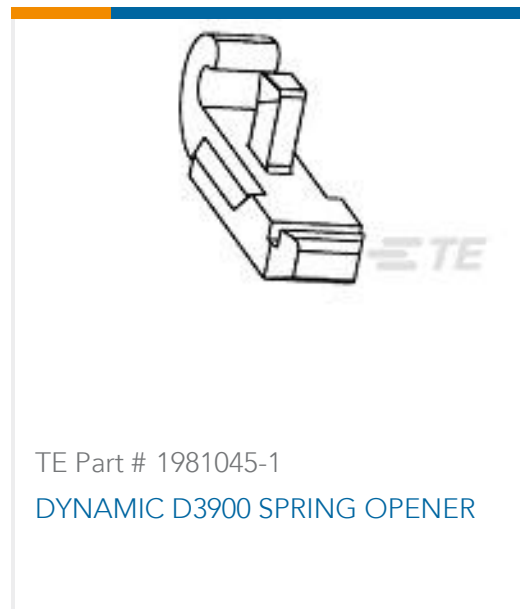


PCB Terminals(1)

## Customers Also Bought



TE Part # 1-2271457-8  
Header Assembly: Wire-to-Board  
Connector, Spring Clamp, 7.5 mm  
pitch, 14.5A



TE Part # 1981045-1  
DYNAMIC D3900 SPRING OPENER



TE Part # 1-2349849-8  
D4950 HDR H STD 8POSN 1ROW  
TRAY AU



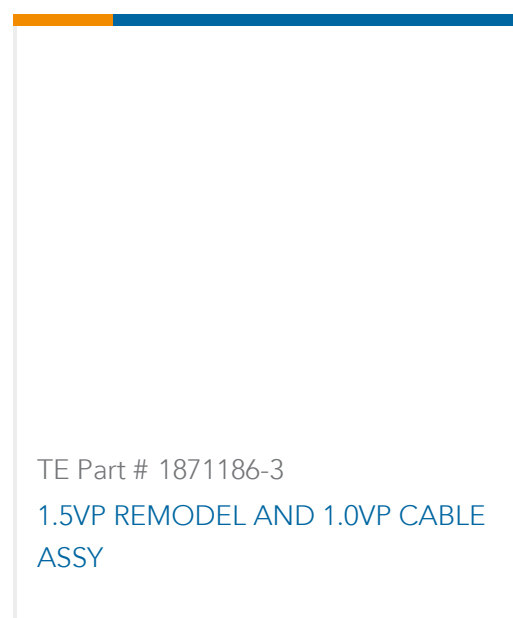
TE Part # 1879351-6  
RR01 5% 4K7 AMMO



TE Part # 330301  
TERMINAL,SOLIS R 2 10



TE Part # 1971153-2  
CONN ASSY INDUSTRIAL MINI I/O J-  
CONN.



TE Part # 1871186-3  
1.5VP REMODEL AND 1.0VP CABLE  
ASSY



TE Part # 2371136-2  
IND MINI I/O BY-PASS CONN 20 PC  
PKG

## Documents

### Product Drawings

TERM,POKE-IN,MAG-MATE

English

### CAD Files

3D PDF

3D

Customer View Model

[ENG\\_CVM\\_CVM\\_63658-5\\_Z.2d\\_dxf.zip](#)

English

Customer View Model

[ENG\\_CVM\\_CVM\\_63658-5\\_Z.3d\\_igs.zip](#)

English

Customer View Model

[ENG\\_CVM\\_CVM\\_63658-5\\_Z.3d\\_stp.zip](#)

English

By downloading the CAD file I accept and agree to the [Terms and Conditions](#) of use.



---

**Datasheets & Catalog Pages**

**Magnet Wire Terminals & Splices**

English

---

**Product Specifications**

**Application Specification**

English