

9-1415036-1 ✓ ACTIVE



SCHRACK

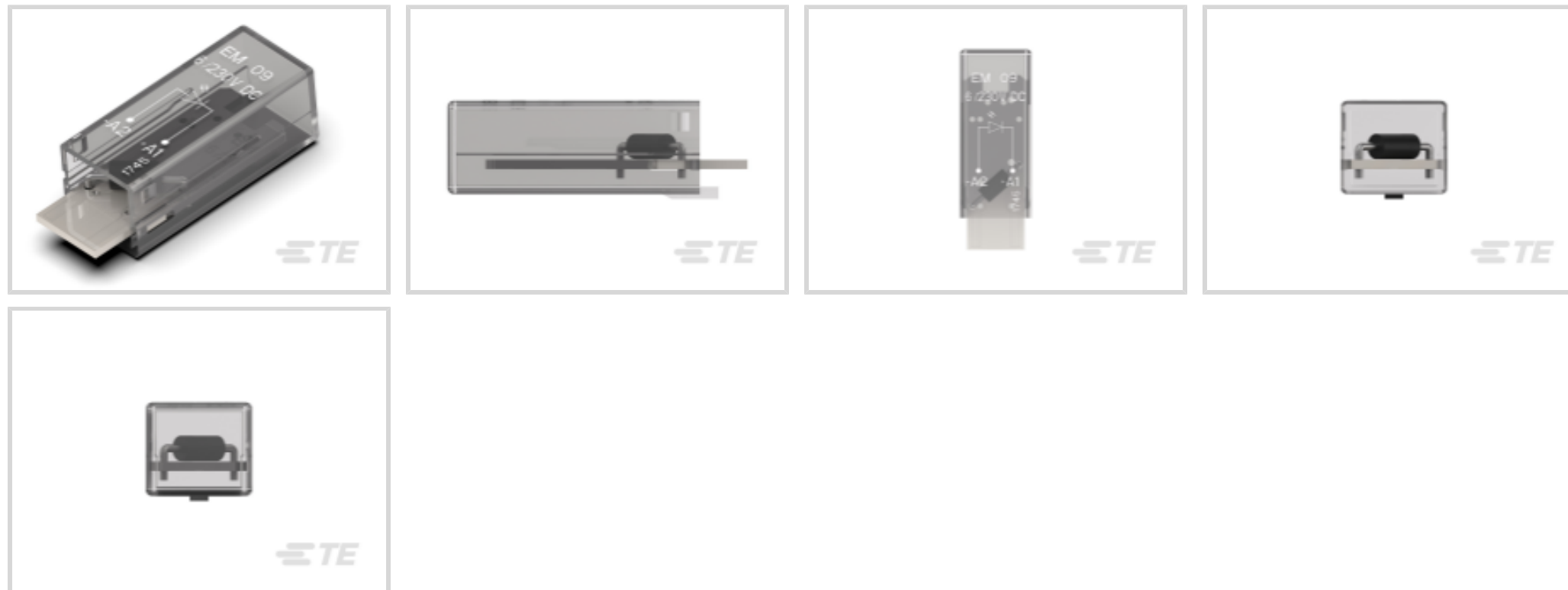
| SCHRACK Accessories Miniature Relay PT,
SCHRACK Accessories PT/RT/XT

TE Internal #: 9-1415036-1

Relay Accessories, Sockets & Clips, Socket, Accessory / Protection
Module, SCHRACK Accessories Miniature Relay PT

[View on TE.com >](#)

Relays & Contactors > Relays > Relay Accessories, Sockets & Clips



Product Mount Type: **Socket**

Relay Accessory Type: **Accessory, Protection Module**

Features

Product Type Features

Relay Accessory Type	Accessory, Protection Module
----------------------	------------------------------

Mechanical Attachment

Product Mount Type	Socket
--------------------	--------

Product Compliance

[For compliance documentation, visit the product page on TE.com>](#)

EU RoHS Directive 2011/65/EU	Compliant with Exemptions
EU ELV Directive 2000/53/EC	Compliant with Exemptions
China RoHS 2 Directive MIIT Order No 32, 2016	Restricted Materials Above Threshold
EU REACH Regulation (EC) No. 1907/2006	Current ECHA Candidate List: JAN 2024 (240) Candidate List Declared Against: JUNE 2023 (235) Does not contain REACH SVHC
Halogen Content	BFR/CFR/PVC Free, but Br/Cl >900 ppm in other sources.
Solder Process Capability	Not applicable for solder process capability

Product Compliance Disclaimer

This information is provided based on reasonable inquiry of our suppliers and represents our current actual knowledge based on the information they provided. This information is subject to change. The part numbers that TE has identified as EU RoHS compliant have a maximum concentration of 0.1% by weight in homogenous materials for lead, hexavalent chromium, mercury, PBB, PBDE, DBP, BBP, DEHP, DIBP, and 0.01% for cadmium, or qualify for an exemption to these limits as defined in the Annexes of Directive 2011/65/EU (RoHS2). Finished electrical and electronic equipment products will be CE marked as required by Directive 2011/65/EU. Components may not be CE marked. Additionally, the part numbers that TE has identified as EU ELV compliant have a maximum concentration of 0.1% by weight in homogenous materials for lead, hexavalent chromium, and mercury, and 0.01% for cadmium, or qualify for an exemption to these limits as defined in the Annexes of Directive 2000/53/EC (ELV). Regarding the REACH Regulation, the information TE provides on SVHC in articles for this part number is based on the latest European Chemicals Agency (ECHA) 'Guidance on requirements for substances in articles' posted at this URL: <https://echa.europa.eu/guidance-documents/guidance-on-reach>

Compatible Parts



TE Part # 5-1415026-1
PT580L24



TE Part # 1415526-1
PT78722



TE Part # 8-1419111-1
PT570048



TE Part # 8-1419111-0
PT570012



TE Part # 6-1415034-1
PT78720



TE Part # 1-1415526-1
PT78742



TE Part # 6-1419111-0
PT370012



TE Part # 1-1393154-2
PT570024



TE Part # 6-1415035-1
RT78726



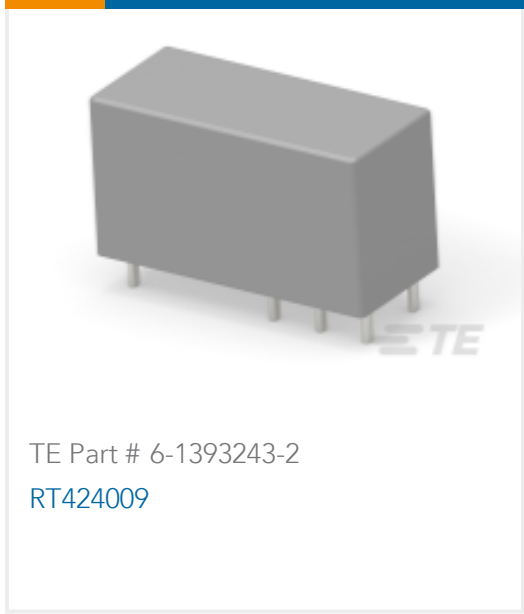
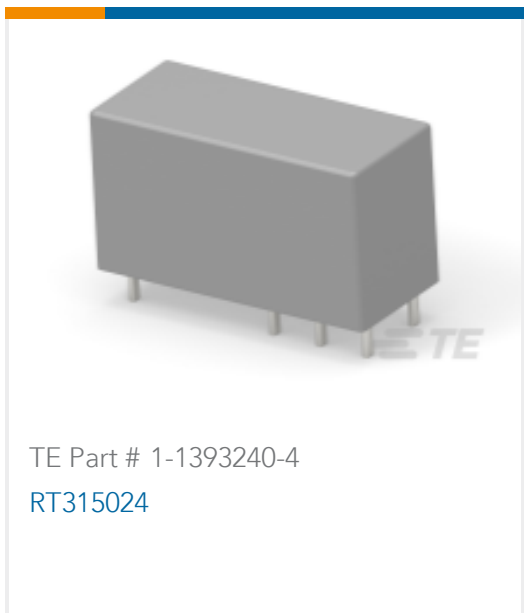
TE Part # 1860306-1
RT78725



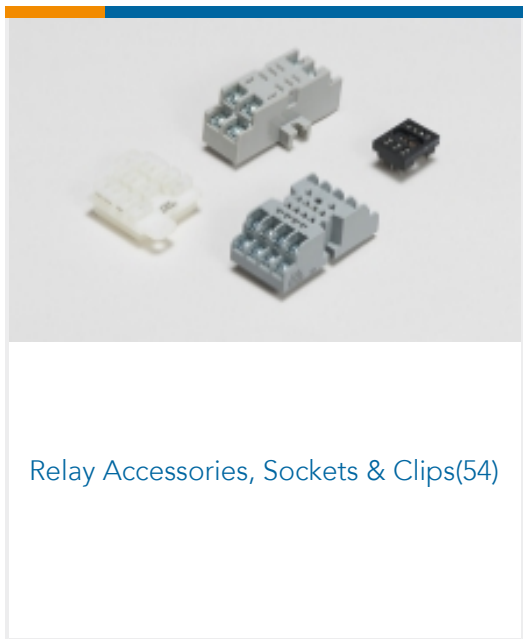
TE Part # 1-1393154-3
PT570125



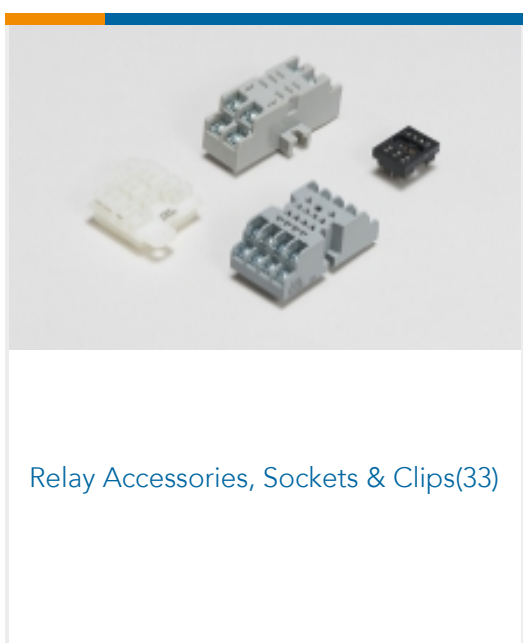
TE Part # 1393239-8
RT114006



Also in the Series | [SCHRACK Accessories Miniature Relay PT](#)



Also in the Series | [SCHRACK Accessories PT/RT/XT](#)



Customers Also Bought



TE Part # 2-31903-2
TERMINAL,PIDG R 16-14 10



TE Part # 1-1415012-1
V23047-A1110-A501



TE Part # 6-1415035-1
RT78726



TE Part # 1860306-1
RT78725



TE Part # 1816124-1
PT17024



TE Part # 9-1415071-1
PT78730



TE Part # 2-1415037-1
PTMU0730



TE Part # 66598-1
III+ SKT,18-14,TIN-LEAD,STRIP



TE Part # 02350700-000
GA-HD LBB-315-PA-100 ASSY



TE Part # 8-1393305-4
VF445H11S05/X830

Documents

CAD Files

3D PDF

3D

Customer View Model

[ENG_CVM_CVM_9-1415036-1_B.2d_dxf.zip](#)

English

Customer View Model

[ENG_CVM_CVM_9-1415036-1_B.3d_igs.zip](#)

English

Customer View Model

[ENG_CVM_CVM_9-1415036-1_B.3d_stp.zip](#)

English

By downloading the CAD file I accept and agree to the [Terms and Conditions](#) of use.

Datasheets & Catalog Pages

Accessories - Miniature Relay PT

English

Accessories - Power Relay XT

English



[Accessories Force Guided Relay SR2M Plug-in](#)

English

[Accessories - Power PCB Relay RT](#)

English

[Product Specifications](#)

[Definitions General Purpose Relays](#)

English