

53645-2 ✓ ACTIVE



TERMI-FOIL

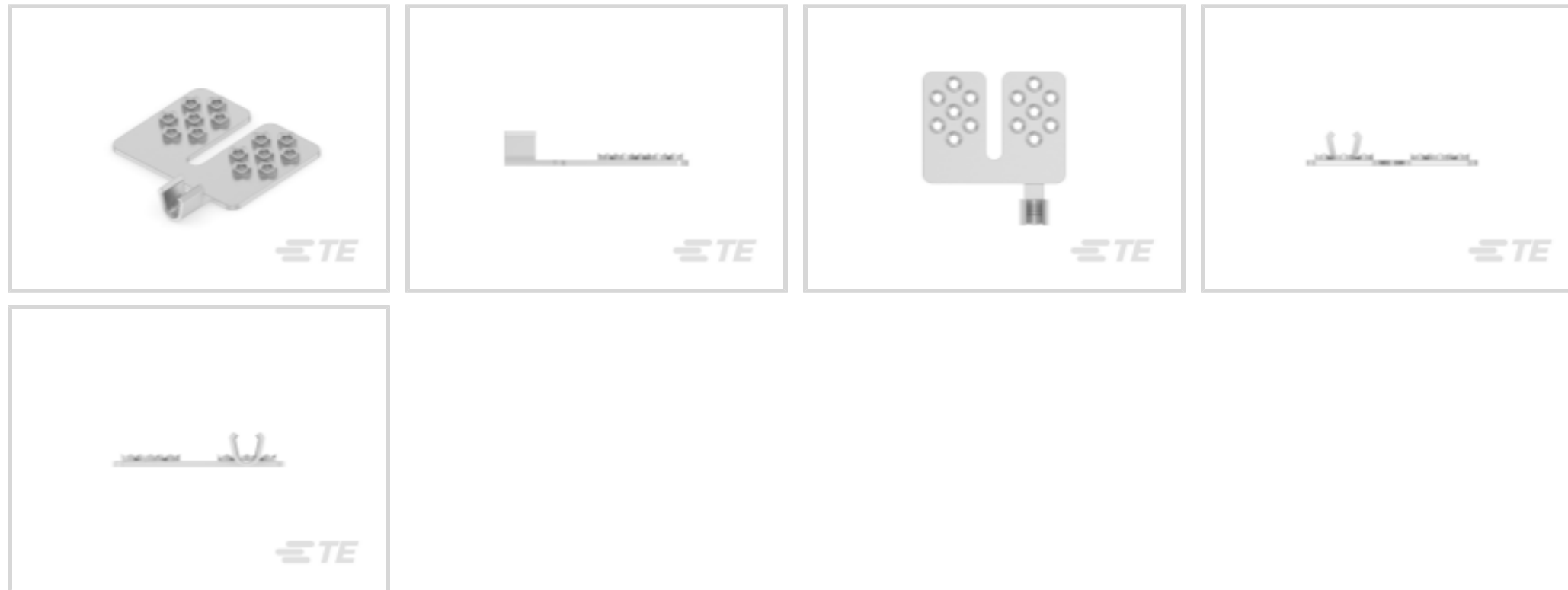
TE Internal #: 53645-2

Foil Terminals, Strip Tap, Type 5, Tin Plating, Box, 16 - 14 AWG

Wire Size, 1.25 - 2 mm² Wire Size, 150 °C [302 °F], TERMI-FOIL

[View on TE.com >](#)

Terminals & Splices > Foil Terminals



Foil Terminal Type: **Strip Tap**

Foil Terminal Body Type: **Type 5**

Accepts Foil Thickness (Max): **.76 mm [.03 in]**

Terminal Plating Material: **Tin**

Packaging Method: **Box**

Features

Body Features

Foil Terminal Body Type	Type 5
-------------------------	--------

Contact Features

Foil Terminal Type	Strip Tap
Terminal Plating Material	Tin

Termination Features

Accepts Foil Thickness (Max)	.76 mm[.03 in]
------------------------------	----------------

Dimensions

Wire Size	1.25 - 2 mm ²
-----------	--------------------------

Usage Conditions

Insulation Option	Uninsulated
Operating Temperature Range	150 °C[302 °F]

Packaging Features

Packaging Quantity	2000
Packaging Method	Box

Product Compliance

[For compliance documentation, visit the product page on TE.com>](#)

EU RoHS Directive 2011/65/EU	Compliant
EU ELV Directive 2000/53/EC	Compliant
China RoHS 2 Directive MIIT Order No 32, 2016	No Restricted Materials Above Threshold
EU REACH Regulation (EC) No. 1907/2006	Current ECHA Candidate List: JAN 2024 (240) Candidate List Declared Against: JAN 2024 (240) Does not contain REACH SVHC
Halogen Content	Low Halogen - Br, Cl, F, I < 900 ppm per homogenous material. Also BFR/CFR/PVC Free
Solder Process Capability	Not applicable for solder process capability

Product Compliance Disclaimer

This information is provided based on reasonable inquiry of our suppliers and represents our current actual knowledge based on the information they provided. This information is subject to change. The part numbers that TE has identified as EU RoHS compliant have a maximum concentration of 0.1% by weight in homogenous materials for lead, hexavalent chromium, mercury, PBB, PBDE, DBP, BBP, DEHP, DIBP, and 0.01% for cadmium, or qualify for an exemption to these limits as defined in the Annexes of Directive 2011/65/EU (RoHS2). Finished electrical and electronic equipment products will be CE marked as required by Directive 2011/65/EU. Components may not be CE marked. Additionally, the part numbers that TE has identified as EU ELV compliant have a maximum concentration of 0.1% by weight in homogenous materials for lead, hexavalent chromium, and mercury, and 0.01% for cadmium, or qualify for an exemption to these limits as defined in the Annexes of Directive 2000/53/EC (ELV). Regarding the REACH Regulation, the information TE provides on SVHC in articles for this part number is based on the latest European Chemicals Agency (ECHA) 'Guidance on requirements for substances in articles' posted at this URL: <https://echa.europa.eu/guidance-documents/guidance-on-reach>

Compatible Parts

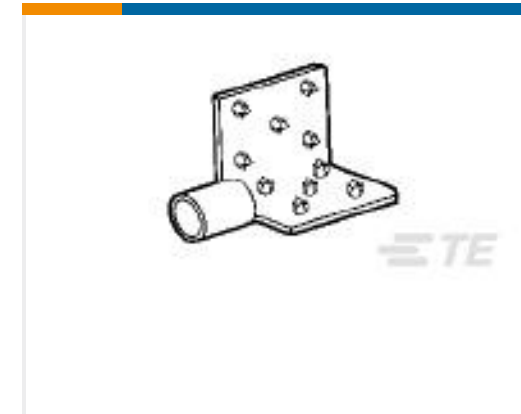
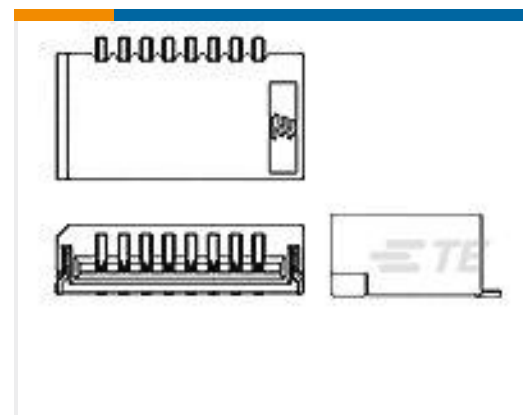
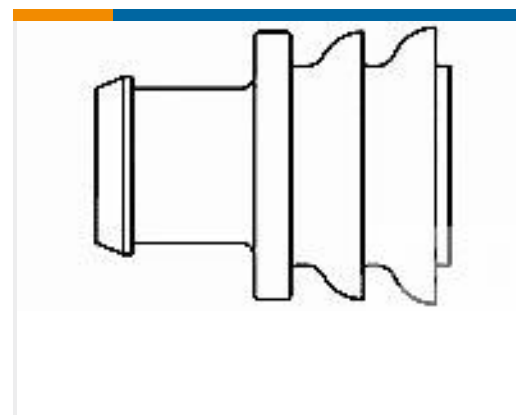
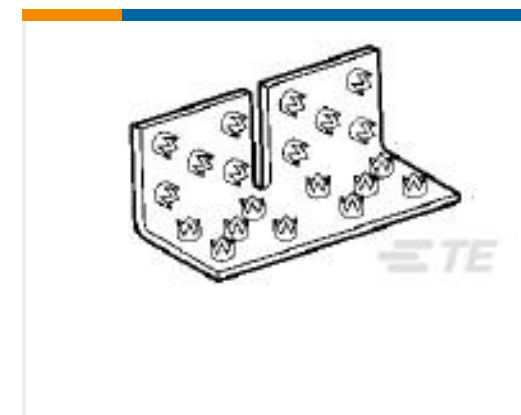
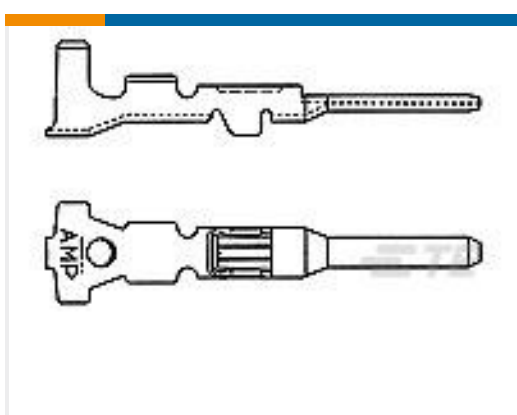


Also in the Series | [TERMI-FOIL](#)



Foil Terminals(23)

Customers Also Bought

TE Part # 8-338069-8
MICRO-MATCH SMD FTETE Part # 282105-1
AMP SUPERSEAL 1.5MM,
CONNECTOR HOUSINGTE Part # 487923-1
FFC SDR TAB 100 FULL SN-PBTE Part # 329254
TERMINAL,TERMI-FOIL 12-10TE Part # 329860
TERMINAL,TERMI-FOIL 16-14TE Part # 3-84981-0
1MM FFC SMT H ASSY 30P EMBOSSTE Part # 281934-4
SINGLE WIRE SEALTE Part # 329657
SPLICE,TERMI-FOIL DBL FACETE Part # 282404-1
MINI MIC SRS TAB CONT

Documents

Product Drawings

[TERMINAL,TERMI-FOIL 16-14](#)

English

CAD Files

[Customer View Model](#)

[ENG_CVM_53645-2_O.3d_igs.zip](#)

English

[Customer View Model](#)



[ENG_CVM_53645-2_O.3d_stp.zip](#)

English

Customer View Model

[ENG_CVM_53645-2_O.2d_dxf.zip](#)

English

3D PDF

English

By downloading the CAD file I accept and agree to the [Terms and Conditions](#) of use.

Datasheets & Catalog Pages

[RADIATION_RESISTANT_PRE-INSULATED_TERMINALS_SPLICES](#)

English