



FASTON | FASTON 250

TE Internal #: 180363-2

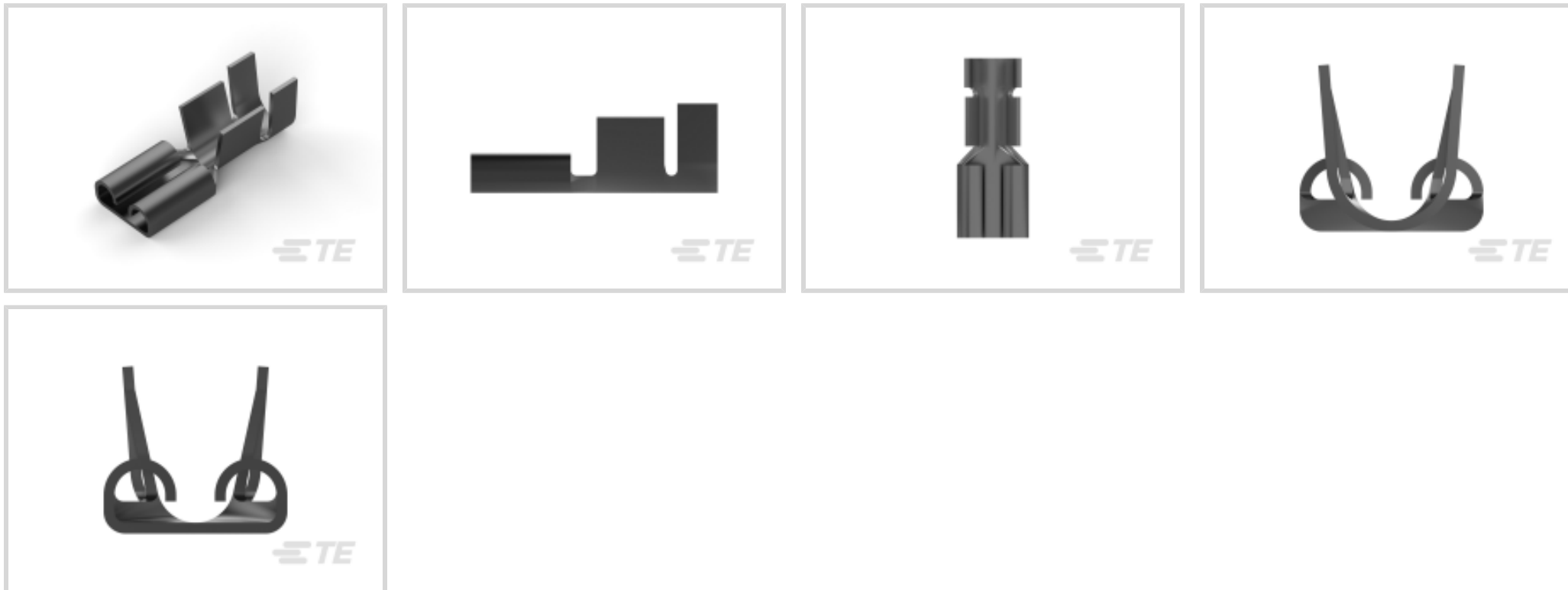
Quick Disconnects, Receptacle, 11 - 9 AWG Wire Size, 4 - 6.63 mm²

Wire Size, Mating Tab Width 6.35 mm [.25 in], Straight, Brass,

FASTON 250

[View on TE.com >](#)

Terminals & Splices > Quick Disconnects



Quick Disconnect Terminal Type: **Receptacle**

Wire Size: **4 - 6.63 mm²**

Mating Tab Width: **6.35 mm [.25 in]**

Mating Tab Thickness: **.81 mm [.032 in]**

Features

Product Type Features

Insertion Force	Normal
-----------------	--------

Configuration Features

Connection Capacity	Single
Compatible With Wire & Cable Type	Discrete Wire

Contact Features

Quick Disconnect Terminal Type	Receptacle
Mating Tab Width	6.35 mm [.25 in]
Mating Tab Thickness	.81 mm [.032 in]
Terminal Orientation	Straight
Contact Base Material	Brass
Terminal Plating Material	Tin
Crimp Type	F-Crimp
Barrel Type	Open

Termination Features

--	--



Product Terminates To	Wire & Cable
-----------------------	--------------

Mechanical Attachment

Extraction Force	80 Newton
Wire Insulation Support	With
Mating Retention Type	Dimple

Dimensions

Terminal Material Thickness	.46 mm[.018 in]
Product Length	19 mm[.748 in]
Compatible Insulation Diameter Range	3.81 - 5.08 mm[.15 - .2 in]
Wire Size	4 - 6.63 mm ²

Usage Conditions

Insulation Option	Uninsulated
Operating Temperature Range	-40 - 110 °C[-40 - 230 °F]

Industry Standards

Compatible With Agency/Standards Products	CSA, UL
---	---------

Packaging Features

Packaging Quantity	4000
Packaging Method	Strip/Reel

Other

Line	Premier
------	---------

Product Compliance

[For compliance documentation, visit the product page on TE.com>](#)

EU RoHS Directive 2011/65/EU	Compliant
EU ELV Directive 2000/53/EC	Compliant
China RoHS 2 Directive MIIT Order No 32, 2016	No Restricted Materials Above Threshold
EU REACH Regulation (EC) No. 1907/2006	Current ECHA Candidate List: JAN 2024 (240) Candidate List Declared Against: JAN 2024 (240) Does not contain REACH SVHC
Halogen Content	Low Halogen - Br, Cl, F, I < 900 ppm per homogenous material. Also BFR/CFR/PVC Free



Solder Process Capability

Not applicable for solder process capability

Product Compliance Disclaimer

This information is provided based on reasonable inquiry of our suppliers and represents our current actual knowledge based on the information they provided. This information is subject to change. The part numbers that TE has identified as EU RoHS compliant have a maximum concentration of 0.1% by weight in homogenous materials for lead, hexavalent chromium, mercury, PBB, PBDE, DBP, BBP, DEHP, DIBP, and 0.01% for cadmium, or qualify for an exemption to these limits as defined in the Annexes of Directive 2011/65/EU (RoHS2). Finished electrical and electronic equipment products will be CE marked as required by Directive 2011/65/EU. Components may not be CE marked. Additionally, the part numbers that TE has identified as EU ELV compliant have a maximum concentration of 0.1% by weight in homogenous materials for lead, hexavalent chromium, and mercury, and 0.01% for cadmium, or qualify for an exemption to these limits as defined in the Annexes of Directive 2000/53/EC (ELV). Regarding the REACH Regulation, the information TE provides on SVHC in articles for this part number is based on the latest European Chemicals Agency (ECHA) 'Guidance on requirements for substances in articles' posted at this URL: <https://echa.europa.eu/guidance-documents/guidance-on-reach>

Compatible Parts



TE Part # 2376595-2
 250 FASTON PCB TAB TPBR



TE Part # 5-160521-2
 375 FASTON REC 12-10 AWG TPBR



TE Part # 2150926-1
 OCEAN_2.0_APPLICATOR-E-160F210F-REM



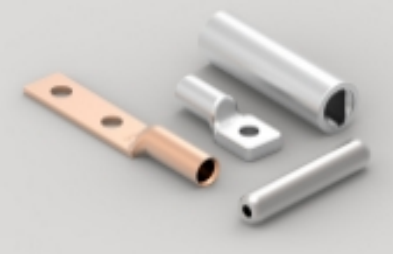
TE Part # 2150926-2
 OCEAN_2.0_APPLICATOR-E-160F210F-REA



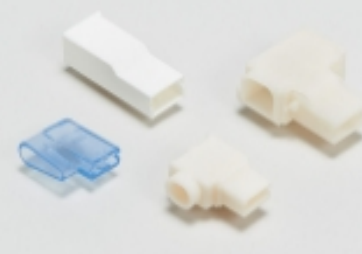
KIT
 REPRESENTATION ONLY

TE Part # 7-2150926-7
 OCEAN_2.0_SPARE_PART_KIT-160F210F


Also in the Series | **FASTON 250**



Compression Connectors(4)



Crimp Terminal Housings(133)



Insertion & Extraction Tools(6)



Magnet Wire Terminals(1)



PCB Terminals(134)

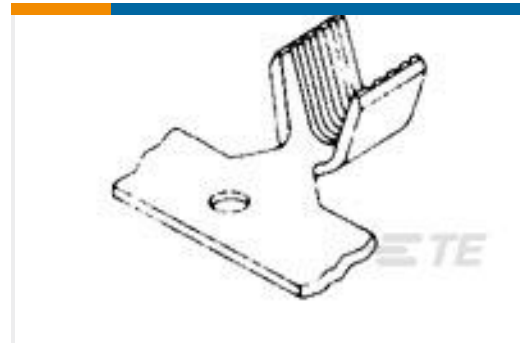
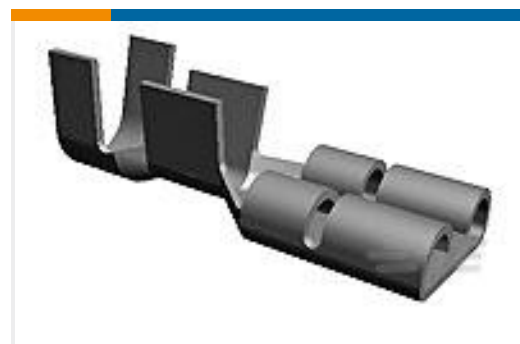
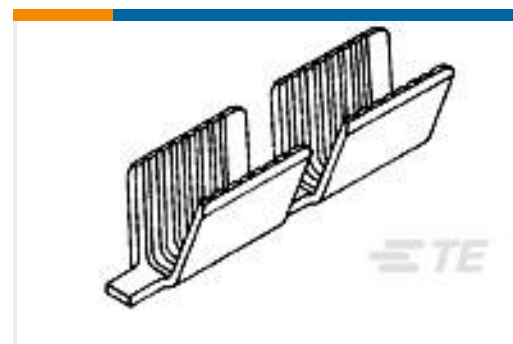
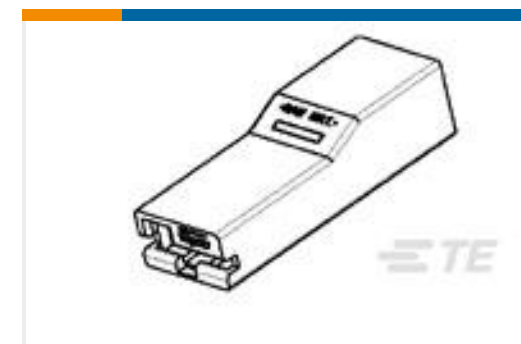


Quick Disconnects(441)



Splices(4)

Customers Also Bought

TE Part # 1658614-1
37 POS HDF RCPT, AP, LEAD FREETE Part # 63562-1
SPLICE 10400-22900 030TPBRTE Part # 770902-1
MINI UMNL SOCK 26-22 AWG SNTE Part # 180464-2
250 FASTON, FLAG, REC., 14-17AWG,
LATONTE Part # 163300-6
MATENLOK SOCKET TPTE Part # 280000-6
250 FASTON, REC., 24-17 AWG, TPBRTE Part # 62295-1
AMVAR SPLC 7000-12000 025TPBRTE Part # 280232
250 FASTON POST INS., REC., 1 POS,
NATURALTE Part # 1745083-1
3 POS. PLUG ASSY AMP SUPERSEAL
1.5 SRS

Documents

Product Drawings

[250 FASTON, REC., 12-10 AWG, TPBR](#)

English

CAD Files

[3D PDF](#)

3D

[Customer View Model](#)

[ENG_CVM_CVM_180363-2_AD.2d_dxf.zip](#)



English

Customer View Model

[ENG_CVM_CVM_180363-2_AD.3d_igs.zip](#)

English

Customer View Model

[ENG_CVM_CVM_180363-2_AD.3d_stp.zip](#)

English

By downloading the CAD file I accept and agree to the [Terms and Conditions](#) of use.

Product Specifications

[Application Specification](#)

English

Agency Approvals

[Agency Approval Document](#)

English