

5-160433-6 ✓ ACTIVE

FASTON | FASTON 187

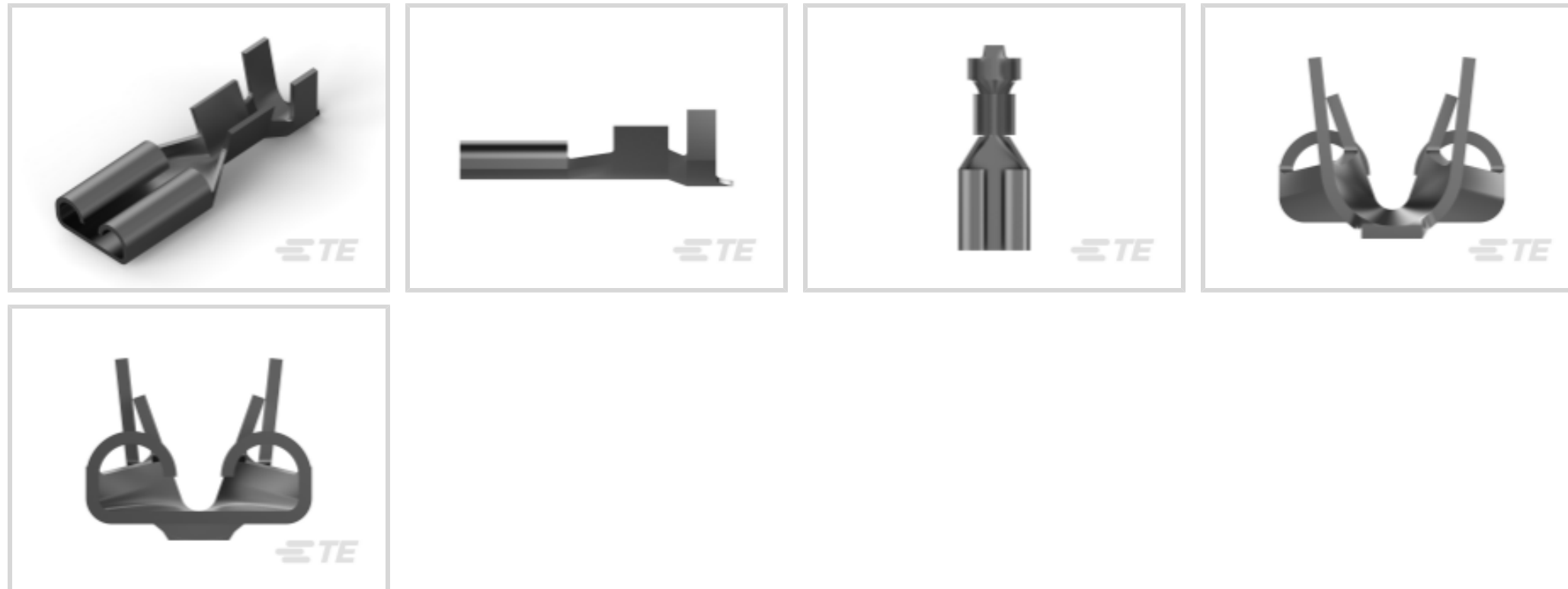
TE Internal #: 5-160433-6

Quick Disconnects, Receptacle, 20 - 16 AWG Wire Size, .51 - 1.65 mm<sup>2</sup> Wire Size, Mating Tab Width 4.75 mm [.187 in], Straight, Brass, FASTON 187

[View on TE.com >](#)



Terminals & Splices > Quick Disconnects



Quick Disconnect Terminal Type: **Receptacle**

Wire Size: **.51 - 1.65 mm<sup>2</sup>**

Mating Tab Width: **4.75 mm [.187 in]**

Mating Tab Thickness: **.51 mm [.02 in]**

## Features

### Product Type Features

Insertion Force	Low
-----------------	-----

### Configuration Features

Connection Capacity	Single
---------------------	--------

Compatible With Wire & Cable Type	Discrete Wire
-----------------------------------	---------------

### Contact Features

Quick Disconnect Terminal Type	Receptacle
--------------------------------	------------

Mating Tab Width	4.75 mm [.187 in]
------------------	-------------------

Mating Tab Thickness	.51 mm [.02 in]
----------------------	-----------------

Terminal Orientation	Straight
----------------------	----------

Contact Base Material	Brass
-----------------------	-------

Terminal Plating Material	Tin
---------------------------	-----

Crimp Type	F-Crimp
------------	---------

Barrel Type	Open
-------------	------

### Termination Features



Product Terminates To	Wire & Cable
-----------------------	--------------

### Mechanical Attachment

Extraction Force	70 Newton
------------------	-----------

Wire Insulation Support	With
-------------------------	------

Mating Retention Type	Dimple
-----------------------	--------

### Dimensions

Terminal Material Thickness	.3 mm[.012 in]
-----------------------------	----------------

Product Length	15 mm[.59 in]
----------------	---------------

Compatible Insulation Diameter Range	2.36 - 3.3 mm[.093 - .13 in]
--------------------------------------	------------------------------

Wire Size	.51 - 1.65 mm <sup>2</sup>
-----------	----------------------------

### Usage Conditions

Insulation Option	Uninsulated
-------------------	-------------

Operating Temperature Range	-40 - 110 °C[-40 - 230 °F]
-----------------------------	----------------------------

### Industry Standards

Compatible With Agency/Standards Products	CSA, UL
---	---------

### Packaging Features

Packaging Quantity	8000
--------------------	------

Packaging Method	Strip/Reel
------------------	------------

### Product Compliance

[For compliance documentation, visit the product page on TE.com>](#)

EU RoHS Directive 2011/65/EU	Compliant
------------------------------	-----------

EU ELV Directive 2000/53/EC	Compliant
-----------------------------	-----------

China RoHS 2 Directive MIIT Order No 32, 2016	No Restricted Materials Above Threshold
---	---

EU REACH Regulation (EC) No. 1907/2006	Current ECHA Candidate List: JAN 2024 (240) Candidate List Declared Against: JAN 2024 (240) Does not contain REACH SVHC
--	---

Halogen Content	Low Halogen - Br, Cl, F, I < 900 ppm per homogenous material. Also BFR/CFR/PVC Free
-----------------	---

Solder Process Capability	Not applicable for solder process capability
---------------------------	--

Product Compliance Disclaimer

This information is provided based on reasonable inquiry of our suppliers and represents our current actual knowledge based on the information they provided. This information is subject to change. The part numbers that TE has identified as EU RoHS compliant have a maximum concentration of 0.1% by weight in homogenous materials for lead, hexavalent chromium, mercury, PBB, PBDE, DBP, BBP, DEHP, DIBP, and 0.01% for cadmium, or qualify for an exemption to these limits as defined in the Annexes of Directive 2011/65/EU (RoHS2). Finished electrical and electronic equipment products will be CE marked as required by Directive 2011/65/EU. Components may not be CE marked. Additionally, the part numbers that TE has identified as EU ELV compliant have a maximum concentration of 0.1% by weight in homogenous materials for lead, hexavalent chromium, and mercury, and 0.01% for cadmium, or qualify for an exemption to these limits as defined in the Annexes of Directive 2000/53/EC (ELV). Regarding the REACH Regulation, the information TE provides on SVHC in articles for this part number is based on the latest European Chemicals Agency (ECHA) 'Guidance on requirements for substances in articles' posted at this URL: <https://echa.europa.eu/guidance-documents/guidance-on-reach>

## Compatible Parts



TE Part # 2150081-1  
OCEAN\_2.0\_APPLICATOR-E-090F130F-REM



TE Part # 2150081-2  
OCEAN\_2.0\_APPLICATOR-E-090F130F-REA

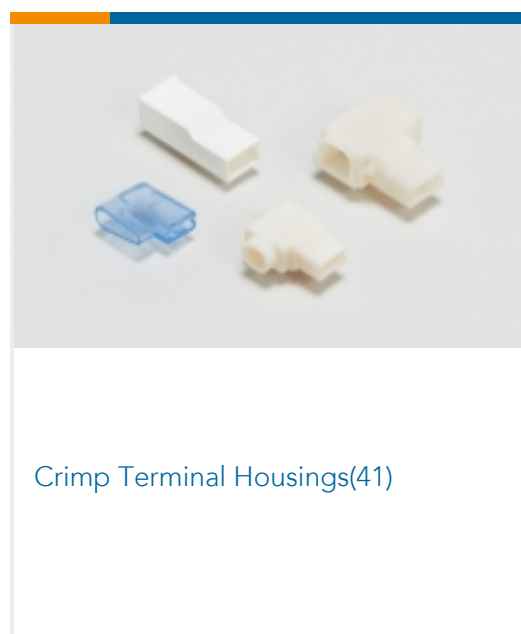


TE Part # 7-2150081-7  
OCEAN\_2.0\_SPARE\_PART\_KIT-090F130F

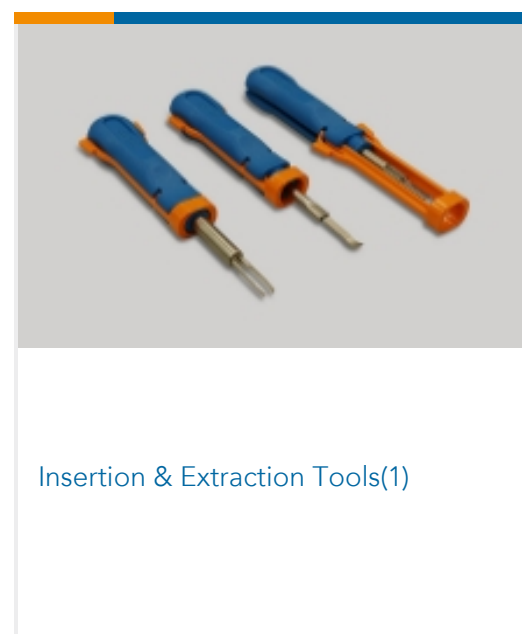


TE Part # 7-2150081-1  
OCEAN\_2.0\_APPLICATOR-E-090F130F

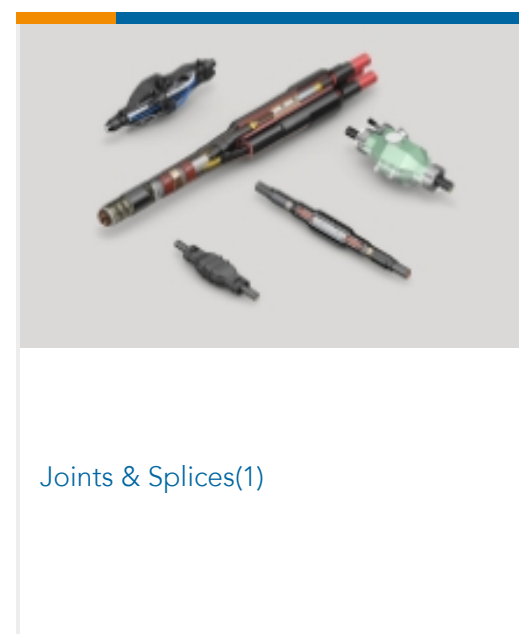
## Also in the Series | FASTON 187



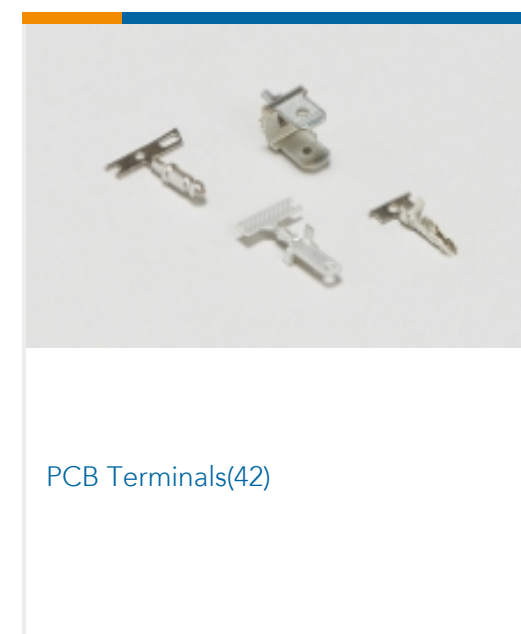
Crimp Terminal Housings(41)



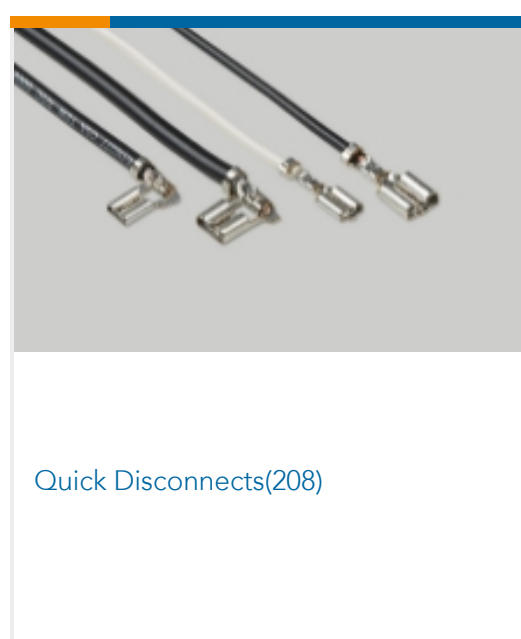
Insertion & Extraction Tools(1)



Joints & Splices(1)



PCB Terminals(42)



Quick Disconnects(208)



Splices(1)

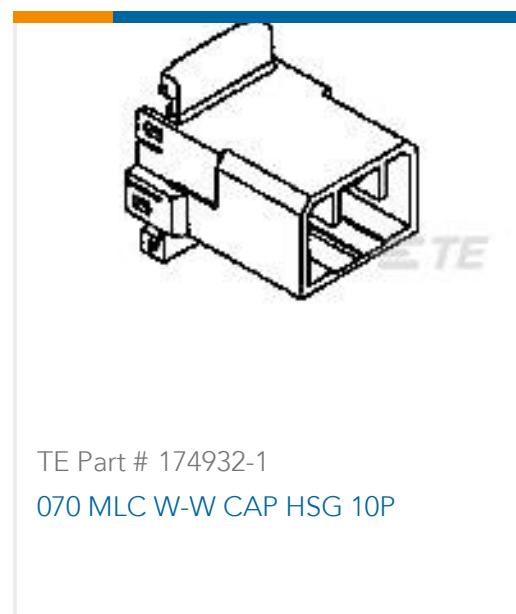
## Customers Also Bought



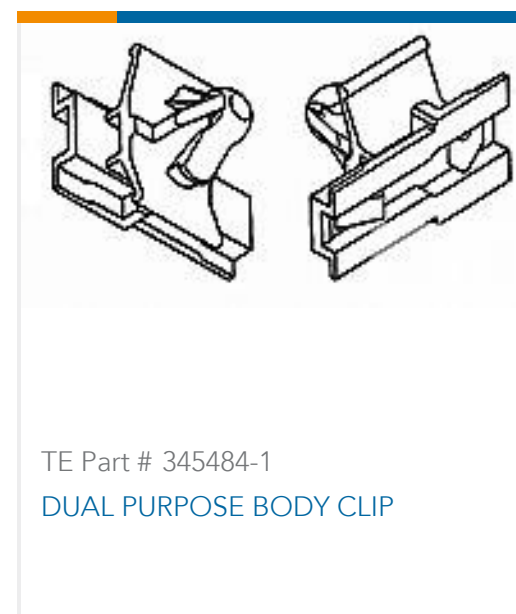
TE Part # 292215-8  
MINI CT SGL RELAY 8P NAT



TE Part # 5552568-1  
HDW KIT, SCR LOCK, PNL MTG,  
CHAMP



TE Part # 174932-1  
070 MLC W-W CAP HSG 10P



TE Part # 345484-1  
DUAL PURPOSE BODY CLIP



TE Part # 1-1969706-1  
250 FASTON HSG, FLAG, REC., 2 POS,  
BLACK



TE Part # 2818553002  
44/7031-18-0



TE Part # 480435-1  
187 FASTON HSG. REC 1P NATURAL



TE Part # BSA078F05420235000  
923 PLUG



TE Part # 690472-2  
STRIPPER



TE Part # 234473-E  
SRCA 1,27 10 F 1 I2426 137 E1 094 1,07  
T

## Documents

### Product Drawings

[187 FASTON REC 20-16 AWG TPBR](#)

English

### CAD Files

[3D PDF](#)

3D

Customer View Model

[ENG\\_CVM\\_CVM\\_5-160433-6\\_BC\\_c-5-160433-6-bc.2d\\_dxf.zip](#)

English

Customer View Model

[ENG\\_CVM\\_CVM\\_5-160433-6\\_BC\\_c-5-160433-6-bc.3d\\_igs.zip](#)

English

Customer View Model

[ENG\\_CVM\\_CVM\\_5-160433-6\\_BC\\_c-5-160433-6-bc.3d\\_stp.zip](#)

English

By downloading the CAD file I accept and agree to the [Terms and Conditions](#) of use.

### Product Specifications



[Appl. spec. FASTON COnn. .187 & .197 sr. rec. ctc. & L.I.F. rec. ctc.](#)

English

[Application Specification](#)

English

---

[Agency Approvals](#)

[Agency Approval Document](#)

English