



Axicom | Axicom Cradle Relay N

TE Internal #: 4-1393807-4

TE Internal Description: V23154D 421F104

Signal Relays: 5 Amp, Monostable DC

[View on TE.com >](#)

Relays & Contactors > Relays > Signal Relays > Signal Relays: 5 Amp, Monostable DC



Contact Voltage Rating: **250 VDC**

Coil Power Rating DC: **125 mW**

Product Mount Type: **Socket**

Coil Voltage Rating: **12 VAC**

[All Signal Relays: 5 Amp, Monostable DC \(1\)](#)

Features

Configuration Features

Contact Special Features	Single Contact
Contact Arrangement	1 Form A (NO)
Contact Number of Poles	2

Electrical Characteristics

Insulation Initial Dielectric Between Open Contacts	1000 Vrms
Contact Limiting Making Current	5 A
Contact Limiting Short-Time Current	5 A
Contact Limiting Continuous Current	5 A
Insulation Initial Dielectric Between Adjacent Contacts	1000 Vrms
Insulation Initial Dielectric Between Contacts & Coil	1500 Vrms
Insulation Initial Resistance	10000000 MΩ
Power Consumption	800 mW
Input Voltage	250 VAC
Contact Limiting Breaking Current	5 A
Coil Resistance	700 Ω
Contact Voltage Rating	250 VDC
Coil Power Rating DC	125 mW
Coil Voltage Rating	12 VAC

Contact Current Rating	.4 A
------------------------	------

Contact Switching Voltage (Max)	250 VDC
---------------------------------	---------

Body Features

Product Weight	25 g[.883 oz]
----------------	---------------

Contact Features

Contact Plating Material	Gold
--------------------------	------

Contact Material	Ruthenium
------------------	-----------

Termination Features

Relay Connection Type	Plug-In
-----------------------	---------

Mechanical Attachment

Product Mounting Feature Type	Mounting Studs
-------------------------------	----------------

Product Mount Type	Socket
--------------------	--------

Dimensions

Product Width	19 mm[.748 in]
---------------	----------------

Product Length	30 mm[1.18 in]
----------------	----------------

Product Height	30 mm[1.18 in]
----------------	----------------

Usage Conditions

Environmental Ambient Temperature (Max)	70 °C[158 °F]
---	---------------

Operating Temperature Range	-40 - 70 °C
-----------------------------	-------------

Operation/Application

Actuating System	AC, DC
------------------	--------

Performance Type	Standard
------------------	----------

Coil Magnetic System	Monostable
----------------------	------------

Packaging Features

Packaging Method	Box & Carton
------------------	--------------

Other

Length Class (Mechanical)	25 - 30 mm
---------------------------	------------

Environmental Ambient Temperature Class	50 - 70 °C
---	------------

Height Class (Mechanical)	25 - 30 mm
---------------------------	------------

Coil Power Rating Class	800 - 1000 mW
-------------------------	---------------

Width Class (Mechanical)	16 - 20 mm
--------------------------	------------

Contact Current Class

2 - 5 A

Product Compliance

[For compliance documentation, visit the product page on TE.com>](#)

EU RoHS Directive 2011/65/EU	Compliant
EU ELV Directive 2000/53/EC	Compliant
China RoHS 2 Directive MIIT Order No 32, 2016	No Restricted Materials Above Threshold
EU REACH Regulation (EC) No. 1907/2006	Current ECHA Candidate List: JAN 2024 (240) Candidate List Declared Against: JAN 2023 (233) Does not contain REACH SVHC
Halogen Content	Low Halogen - Br, Cl, F, I < 900 ppm per homogenous material. Also BFR/CFR/PVC Free
Solder Process Capability	Wave solder capable to 265°C

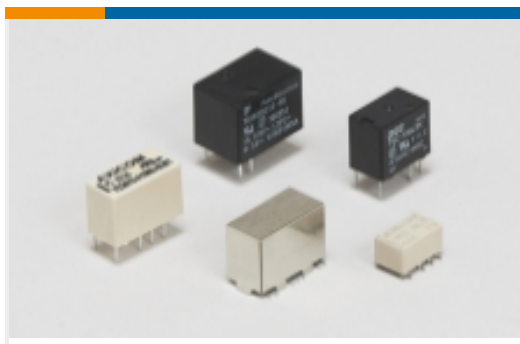
Product Compliance Disclaimer

This information is provided based on reasonable inquiry of our suppliers and represents our current actual knowledge based on the information they provided. This information is subject to change. The part numbers that TE has identified as EU RoHS compliant have a maximum concentration of 0.1% by weight in homogenous materials for lead, hexavalent chromium, mercury, PBB, PBDE, DBP, BBP, DEHP, DIBP, and 0.01% for cadmium, or qualify for an exemption to these limits as defined in the Annexes of Directive 2011/65/EU (RoHS2). Finished electrical and electronic equipment products will be CE marked as required by Directive 2011/65/EU. Components may not be CE marked. Additionally, the part numbers that TE has identified as EU ELV compliant have a maximum concentration of 0.1% by weight in homogenous materials for lead, hexavalent chromium, and mercury, and 0.01% for cadmium, or qualify for an exemption to these limits as defined in the Annexes of Directive 2000/53/EC (ELV). Regarding the REACH Regulation, the information TE provides on SVHC in articles for this part number is based on the latest European Chemicals Agency (ECHA) 'Guidance on requirements for substances in articles' posted at this URL: <https://echa.europa.eu/guidance-documents/guidance-on-reach>

Compatible Parts



Also in the Series | [Axicom Cradle Relay N](#)



Signal Relays(1)

Customers Also Bought



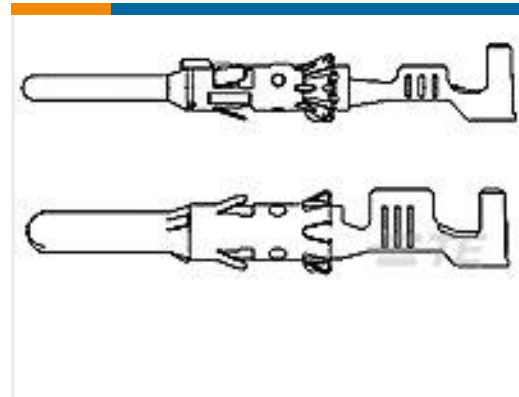
TE Part # 3-641215-6
PCB Header: Polyester, Vertical,
Unshrouded, No Mating Alignment



TE Part # 1-967325-2
2,5MM BU-GEH 3P



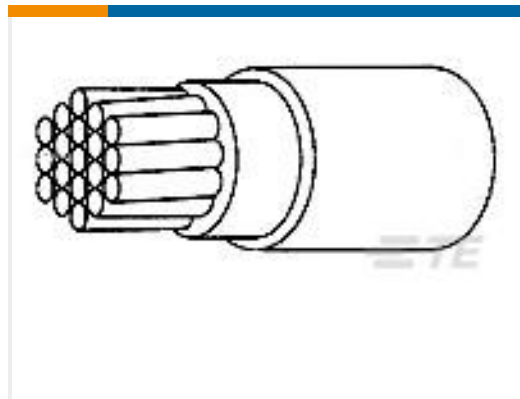
TE Part # 131332
TERM, TAB, PIDG, 12-10



TE Part # 929968-1
2,5MM PIN CONTACT



TE Part # 1-826632-6
16P AMPMODU II STIFT LEI



TE Part # 6459633001
100G0111-0.50-9



TE Part # 41729-2
250 FASTON REC 18-16 AWG TPBR



TE Part # 1SNA165130R2300
M16/12.P

Documents

CAD Files

3D PDF

3D

Customer View Model

[ENG_CVM_CVM_4-1393807-4_A.2d_dxf.zip](#)

English

Customer View Model

[ENG_CVM_CVM_4-1393807-4_A.3d_igs.zip](#)

English

Customer View Model

[ENG_CVM_CVM_4-1393807-4_A.3d_stp.zip](#)

English

By downloading the CAD file I accept and agree to the [Terms and Conditions](#) of use.

Product Specifications

Product Specification

English

