

1-66359-0 ✓ ACTIVE



AMP | AMP Type III+

TE Internal #: 1-66359-0

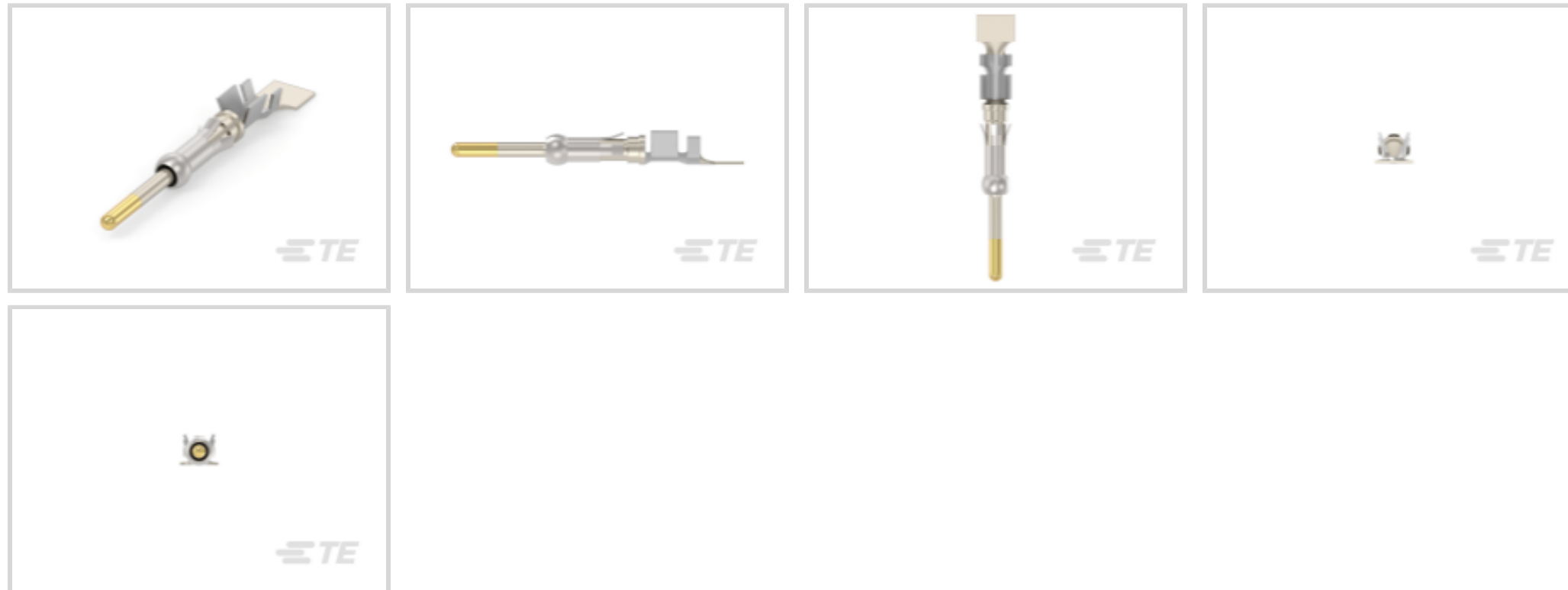
Pin Contact, Precious Metal, Size 16 Contact Size, 18 - 14 AWG

Wire Size, .8 - 2 mm<sup>2</sup> Wire Size, Crimp, Brass, Power & Signal, AMP

Type III+

[View on TE.com >](#)

Connectors > Contacts > Connector Contacts > Strip Pin and Socket Contacts, Type III



Contact Type: **Pin**

Contact Mating Area Plating Material: **Precious Metal**

Wire Contact Termination Area Plating Material: **Tin**

Contact Retention Within Housing: **With**

Contact Size: **Size 16**

[All Strip Pin and Socket Contacts, Type III \(55\)](#)

## Features

### Contact Features

Mating Pin Diameter	1.57 mm[.062 in]
Contact Underplating Material Thickness	1.27 µm[50 µin]
Wire Contact Termination Area Plating Thickness	1.27 µm[50 µin]
Wire Contact Termination Area Plating Material Finish	Matte
Contact Mating Area Plating Material Thickness	.76 µm[30 µin]
Contact Orientation	Straight
Contact Underplating Material	Nickel
Contact Type	Pin
Contact Mating Area Plating Material	Precious Metal
Wire Contact Termination Area Plating Material	Tin
Contact Retention Within Housing	With
Contact Size	Size 16
Contact Base Material	Brass



Contact Current Rating (Max) 13 A

**Termination Features**

Termination Method to Wire & Cable Crimp  
 Product Terminates To Wire & Cable

**Mechanical Attachment**

Wire Insulation Support With

**Dimensions**

Compatible Insulation Diameter Range 2.03 - 2.54 mm [.08 - .1 in]  
 Wire Size .8 - 2 mm<sup>2</sup>

**Usage Conditions**

Operating Temperature Range -55 - 150 °C [-67 - 302 °F]

**Operation/Application**

Circuit Application Power & Signal

**Packaging Features**

Packaging Quantity 4000  
 Packaging Method Reel, Reverse Reel

**Product Compliance**

[For compliance documentation, visit the product page on TE.com>](#)


EU RoHS Directive 2011/65/EU Compliant  
 EU ELV Directive 2000/53/EC Compliant  
 China RoHS 2 Directive MIIT Order No 32, 2016 No Restricted Materials Above Threshold  
 EU REACH Regulation (EC) No. 1907/2006 Current ECHA Candidate List: JAN 2024 (240)  
 Candidate List Declared Against: JAN 2024 (240)  
 Does not contain REACH SVHC  
 Halogen Content Low Halogen - Br, Cl, F, I < 900 ppm per homogenous material. Also BFR/CFR/PVC Free  
 Solder Process Capability Not applicable for solder process capability

Product Compliance Disclaimer

This information is provided based on reasonable inquiry of our suppliers and represents our current actual knowledge based on the information they provided. This information is subject to change. The part numbers that TE has identified as EU RoHS compliant have a maximum concentration of 0.1% by weight in homogenous materials for lead, hexavalent

chromium, mercury, PBB, PBDE, DBP, BBP, DEHP, DIBP, and 0.01% for cadmium, or qualify for an exemption to these limits as defined in the Annexes of Directive 2011/65/EU (RoHS2). Finished electrical and electronic equipment products will be CE marked as required by Directive 2011/65/EU. Components may not be CE marked. Additionally, the part numbers that TE has identified as EU ELV compliant have a maximum concentration of 0.1% by weight in homogenous materials for lead, hexavalent chromium, and mercury, and 0.01% for cadmium, or qualify for an exemption to these limits as defined in the Annexes of Directive 2000/53/EC (ELV). Regarding the REACH Regulation, the information TE provides on SVHC in articles for this part number is based on the latest European Chemicals Agency (ECHA) 'Guidance on requirements for substances in articles' posted at this URL: <https://echa.europa.eu/guidance-documents/guidance-on-reach>

## Compatible Parts



TE Part # CAT-AM71-C83998C  
Circular Plastic Connector, CMC Series 1



TE Part # CAT-AM71-C83998Y  
One-Piece Connector, Sealed, CPC Series 1



TE Part # CAT-AM71-C83998J  
Cable/Panel Mount Connector, CPC Series 1



TE Part # CAT-AM71-C83998K  
Circular Connector, Environmentally Sealed, CPC Series 6



TE Part # 91519-1  
CCII TYPE III+ PIN SKT 18-14 ASSY



TE Part # 200893-2  
INSERTION TOOL CONT



TE Part # 539972-1  
EXTRACTION TOOL



TE Part # 305183  
EXTRACT TOOL TYPE 2 20-16



TE Part # 1-305183-1  
EXTRACT TOOL MATE-N-LOK P



TE Part # 2151101-1  
OCEAN\_2.0\_APPLICATOR-S-090F1200-RSM



TE Part # 2151101-2  
OCEAN\_2.0\_APPLICATOR-S-090F1200-RSA



TE Part # 2305570-1  
Strip Terminal Cutter-Side Feed-No Crimp



TE Part # 5-2151101-1  
OCEAN\_2.0\_APPLICATOR-S-090F1200-RSM



TE Part # 5-2151101-2  
OCEAN\_2.0\_APPLICATOR-S-090F1200-RSA



TE Part # 7-2151101-7  
OCEAN\_2.0\_SPARE\_PART\_KIT-090F1200



TE Part # 7-2151101-2  
OCEAN\_2.0\_APPLICATOR-S-090F1200

Also in the Series | **AMP Type III+**

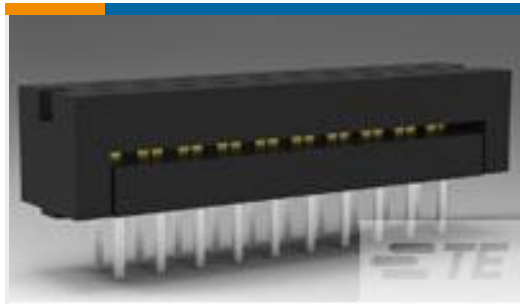


Connector Contacts(409)



Insertion & Extraction Tools(4)

## Customers Also Bought



TE Part # 746610-9  
040 DIP PLUG 100CL TIN



TE Part # 2-2176403-3  
3550 8R2 1%



TE Part # 2176415-1  
8W STD M/OX 5% 30R



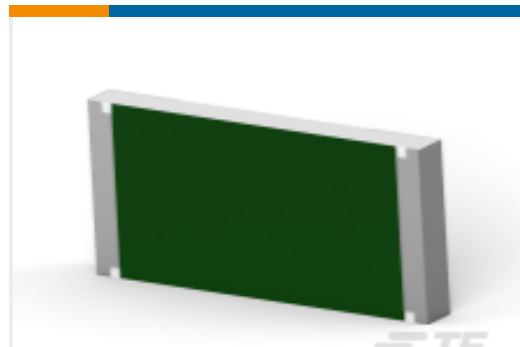
TE Part # 1-1879353-4  
RR02 5% 15K AMMO



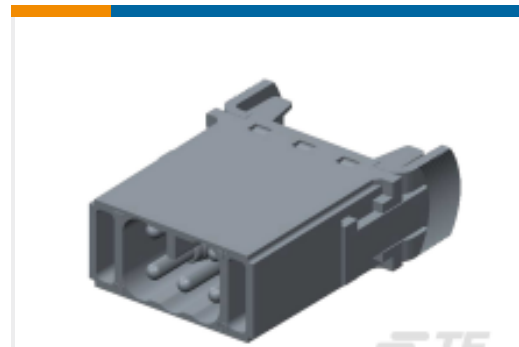
TE Part # T1210100120-000  
H10B-TS-M20



TE Part # T1440101120-000  
H10B-SGRS-M20



TE Part # 1-2176403-6  
3550 4R3 1%



TE Part # T2110052101-000  
HMN-005-MS



TE Part # T2110052201-000  
HMN-005-FS

## Documents

### Product Drawings

III+ PIN,18-14,30AU/FL,STRIP

English

### CAD Files

Customer View Model

ENG\_CVM\_CVM\_1-66359-0\_AG.2d\_dxf.zip

English

3D PDF



3D

Customer View Model

[ENG\\_CVM\\_CVM\\_1-66359-0\\_AG.3d\\_igs.zip](#)

English

Customer View Model

[ENG\\_CVM\\_CVM\\_1-66359-0\\_AG.3d\\_stp.zip](#)

English

By downloading the CAD file I accept and agree to the [Terms and Conditions](#) of use.

---

### Datasheets & Catalog Pages

[AMP Circular Connectors for Commercial Signal & Power Applications](#)

English

[Signal Contacts](#)

English

[M\\_SERIES\\_PIN\\_AND\\_SOCKET\\_CONNECTORS](#)

English

---

### Product Specifications

[Application Specification](#)

English

---

### Instruction Sheets

[Instruction Sheet \(U.S.\)](#)

Japanese

[Instruction Sheet \(U.S.\)](#)

English