

925590-1 ✓ ACTIVE

AMP | Timer Connector System

TE Internal #: 925590-1

Automotive Terminals, Receptacle, Mating Tab Width 2.8 mm [.11 in], Tab Thickness .8 mm [.031 in], 20 - 15 AWG Wire Size, Timer Connector System

[View on TE.com >](#)



Terminals & Splices > Automotive Terminals > TIMER, RECEPTACLE AND TAB



Terminal Type: **Receptacle**

Mating Tab Width: **2.8 mm [.11 in]**

Mating Tab Thickness: **.8 mm [.031 in]**

Terminal Transmits: **0 - 24 A (Low Power)**

Wire Size: **20 - 15 AWG**

[All TIMER, RECEPTACLE AND TAB \(329\)](#)

Features

Product Type Features

Receptacle Style	180°
Sealable	No
Primary Locking Feature	Locking Lance

Contact Features

Contact Size	2.8mm
Contact Fabrication	Stamped & Formed
Typical Current Rating	20 A
Crimp Type	F-Crimp
Terminal Type	Receptacle
Mating Tab Width	2.8 mm[.11 in]
Mating Tab Thickness	.8 mm[.031 in]
Interface Plating	Tin (Sn)

Termination Features

Termination Method to Wire & Cable	Crimp
Product Terminates To	Wire

Dimensions



Compatible Insulation Diameter Range	2 - 3 mm[.079 - .118 in]
Wire Size	.5 - 1.5 mm ²
Wire Size Search	15 AWG, 16 AWG, 17 AWG, 18 AWG, 19 AWG, 20 AWG
Tab Length	18.8 mm[.74 in]

Usage Conditions

Insulation Option	Uninsulated
Operating Temperature (Max)	110 °C[230 °F]
Operating Temperature Range	-40 - 110 °C[-40 - 230 °F]

Operation/Application

Compatible With Wire Base Material	Copper
------------------------------------	--------

Industry Standards

Compatible With Agency/Standards Products	IEC 664/664A (DIN VDE 0110)
---	-----------------------------

Packaging Features

Packaging Quantity	4000
Packaging Method	Reel

Other

Terminal Transmits	0 - 24 A (Low Power)
--------------------	----------------------

Product Compliance

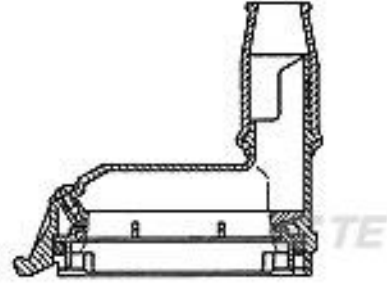
[For compliance documentation, visit the product page on TE.com>](#)

EU RoHS Directive 2011/65/EU	Compliant
EU ELV Directive 2000/53/EC	Compliant
China RoHS 2 Directive MIIT Order No 32, 2016	No Restricted Materials Above Threshold
EU REACH Regulation (EC) No. 1907/2006	Current ECHA Candidate List: JAN 2024 (240) Candidate List Declared Against: JAN 2024 (240) Does not contain REACH SVHC
Halogen Content	Low Halogen - Br, Cl, F, I < 900 ppm per homogenous material. Also BFR/CFR/PVC Free
Solder Process Capability	Not applicable for solder process capability

Product Compliance Disclaimer

This information is provided based on reasonable inquiry of our suppliers and represents our current actual knowledge based on the information they provided. This information is subject to change. The part numbers that TE has identified as EU RoHS compliant have a maximum concentration of 0.1% by weight in homogenous materials for lead, hexavalent chromium, mercury, PBB, PBDE, DBP, BBP, DEHP, DIBP, and 0.01% for cadmium, or qualify for an exemption to these limits as defined in the Annexes of Directive 2011/65/EU (RoHS2). Finished electrical and electronic equipment products will be CE marked as required by Directive 2011/65/EU. Components may not be CE marked. Additionally, the part numbers that TE has identified as EU ELV compliant have a maximum concentration of 0.1% by weight in homogenous materials for lead, hexavalent chromium, and mercury, and 0.01% for cadmium, or qualify for an exemption to these limits as defined in the Annexes of Directive 2000/53/EC (ELV). Regarding the REACH Regulation, the information TE provides on SVHC in articles for this part number is based on the latest European Chemicals Agency (ECHA) 'Guidance on requirements for substances in articles' posted at this URL: <https://echa.europa.eu/guidance-documents/guidance-on-reach>

Compatible Parts



TE Part # 963325-1
25P J-T GRIFFSCHALE



REPRESENTATION ONLY. DIE SET MAY VARY. TE

TE Part # 2063375-1
SDE JPT 0.5-2.5mm² ASSY



TE Part # 2063375-2
SDE JPT 0.5-2.5mm² DIE SET



TE Part # 2151270-1
OCEAN-2.0-APPLICATOR-S-090F130F-RSM



TE Part # 2151270-2
OCEAN-2.0-APPLICATOR-S-090F130F-RSA




TE Part # 2305570-1
Strip Terminal Cutter-Side Feed-No Crimp



KIT REPRESENTATION ONLY TE

TE Part # 7-2151270-7
OCEAN_2.0_SPARE_PART_KIT-090F130F



TE Part # 720788-8
EXTRCTION TOOL FOR MINI SPRING



TE Part # 7-2151270-1
OCEAN-2.0-APPLICATOR-S-090F130F



TE Part # 7-2151270-2
OCEAN-2.0-APPLICATOR-S-090F130F

Also in the Series | Timer Connector System



Automotive Connector Caps & Covers (14)



Automotive Connector Locks & Position Assurance(15)



Automotive Housings(217)



Automotive Terminals(136)



Connector Seals & Cavity Plugs(31)



Crimp Terminal Housings(13)



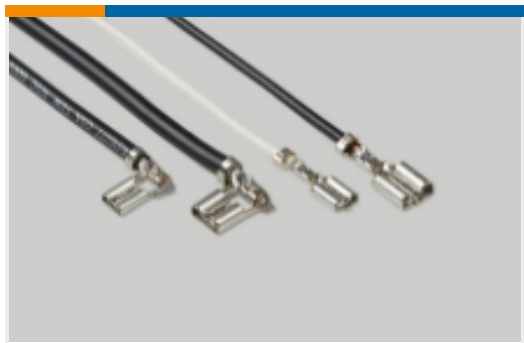
Insertion & Extraction Tools(18)



Other Automotive Connector Accessories(1)



PCB Headers & Receptacles(77)



Quick Disconnects(4)

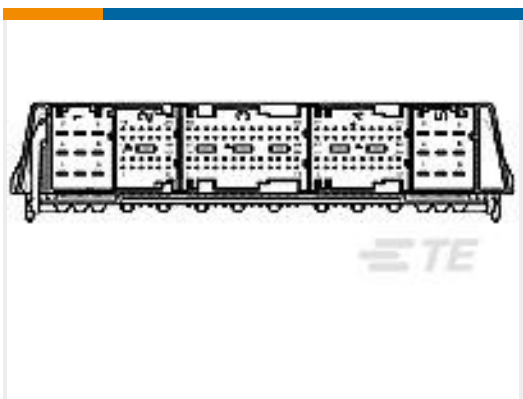
Customers Also Bought



TE Part # 1-967622-1
Timer Connector Housing



TE Part # 173853-1
MULTILOCK, CONNECTOR HOUSING



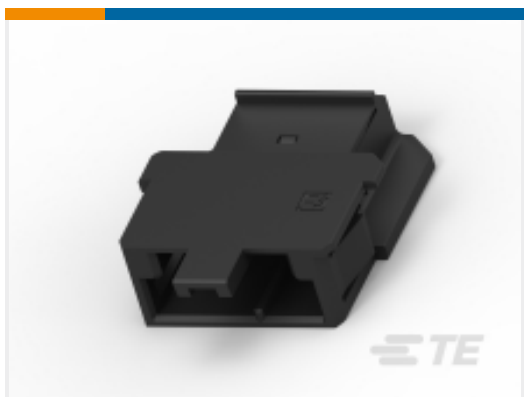
TE Part # 7-967288-1
134pos hybrid MQS .63 header 90deg



TE Part # 1879446-9
TE 150W 4R7 5% Bracket



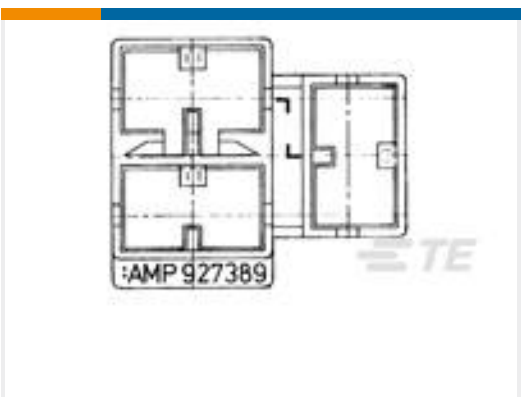
TE Part # 7-1676123-9
1/2W SM M/OX 5% 1K5



TE Part # 1-968977-9
2.8MM FLA-STE-GEH3P



TE Part # 1-962841-1
TAB 2.8x0.8 CONTACT CS SRC Sn



TE Part # 927389-1
PL 3P HOUSING PA66 BLACK

Documents



Product Drawings

JPT REC 2.8 Contact SRC Sn

English

CAD Files

3D PDF

3D

Customer View Model

[ENG_CVM_CVM_925590-1_Y_c-925590-1-y.2d_dxf.zip](#)

English

Customer View Model

[ENG_CVM_CVM_925590-1_Y_c-925590-1-y.3d_igs.zip](#)

English

Customer View Model

[ENG_CVM_CVM_925590-1_Y_c-925590-1-y.3d_stp.zip](#)

English

By downloading the CAD file I accept and agree to the [Terms and Conditions](#) of use.

Datasheets & Catalog Pages

Timer Interconnection System

English

Product Specifications

Application Specification

German

Application Specification

English

Application Specification

Japanese

CRIMPING L-JETRONIC* MINI-SPRING CONTACT

English

CRIMPING L-JETRONIC* MINI-SPRING CONTACT

Japanese

Application Specification

English

Application Specification

German