



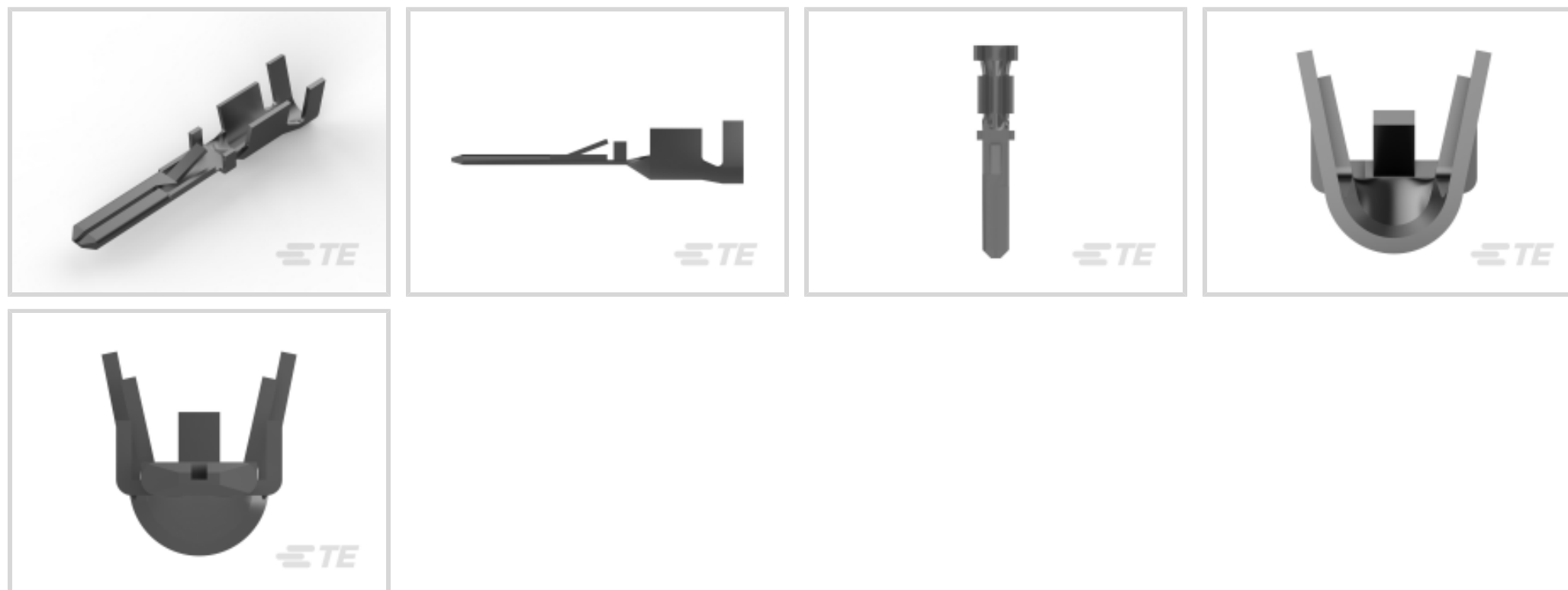
FASTIN-FASTON | FASTIN-FASTON 110

TE Internal #: 928781-2

Quick Disconnects, Tab, 17 - 13 AWG Wire Size, 1 - 2.8 mm<sup>2</sup> Wire Size, 2048 - 5180 CMA Wire Size, Mating Tab Width 2.8 mm [.11 in], FASTIN-FASTON 110

[View on TE.com >](#)

Terminals & Splices > Quick Disconnects



Quick Disconnect Terminal Type: **Tab**

Wire Size: **2048 - 5180 CMA**

Mating Tab Width: **2.8 mm [.11 in]**

**Features**

**Product Type Features**

Insertion Force	Normal
-----------------	--------

**Configuration Features**

Connection Capacity	Single
Compatible With Wire & Cable Type	Discrete Wire

**Contact Features**

Quick Disconnect Terminal Type	Tab
Mating Tab Width	2.8 mm [.11 in]
Mating Tab Thickness	.79 mm [.031 in]
Terminal Orientation	Straight
Contact Base Material	Copper Zinc Alloy
Terminal Plating Material	Tin
Crimp Type	F-Crimp
Barrel Type	Open

**Termination Features**

Product Terminates To	Wire & Cable
-----------------------	--------------



### Mechanical Attachment

Locking Lance Height	1.2 mm[.047 in]
Mating Retention Type	Locking Lance

### Dimensions

Product Length	22.5 mm[.886 in]
Compatible Insulation Diameter Range	1.8 - 2.9 mm[.071 - .114 in]
Wire Size	2048 - 5180 CMA

### Usage Conditions

Insulation Option	Uninsulated
Operating Temperature Range	-40 - 130 °C[-40 - 266 °F]

### Packaging Features

Packaging Quantity	3500
Packaging Method	Reel

### Product Compliance

[For compliance documentation, visit the product page on TE.com>](#)

EU RoHS Directive 2011/65/EU	Compliant
EU ELV Directive 2000/53/EC	Compliant
China RoHS 2 Directive MIIT Order No 32, 2016	No Restricted Materials Above Threshold
EU REACH Regulation (EC) No. 1907/2006	Current ECHA Candidate List: JAN 2024 (240) Candidate List Declared Against: JAN 2024 (240) Does not contain REACH SVHC
Halogen Content	Low Halogen - Br, Cl, F, I < 900 ppm per homogenous material. Also BFR/CFR/PVC Free
Solder Process Capability	Not applicable for solder process capability

#### Product Compliance Disclaimer

This information is provided based on reasonable inquiry of our suppliers and represents our current actual knowledge based on the information they provided. This information is subject to change. The part numbers that TE has identified as EU RoHS compliant have a maximum concentration of 0.1% by weight in homogenous materials for lead, hexavalent chromium, mercury, PBB, PBDE, DBP, BBP, DEHP, DIBP, and 0.01% for cadmium, or qualify for an exemption to these limits as defined in the Annexes of Directive 2011/65/EU (RoHS2). Finished electrical and electronic equipment products will be CE marked as required by Directive 2011/65/EU. Components may not be CE marked. Additionally, the part numbers that TE has identified as EU ELV compliant have a maximum concentration of 0.1% by weight in homogenous materials for lead, hexavalent chromium, and mercury, and 0.01% for cadmium, or qualify for an exemption to these limits as defined in the Annexes of Directive 2000/53/EC (ELV). Regarding the REACH Regulation, the information TE provides on SVHC in articles for this part number is based on the latest European Chemicals Agency (ECHA) 'Guidance on

requirements for substances in articles' posted at this URL: <https://echa.europa.eu/guidance-documents/guidance-on-reach>

## Compatible Parts



TE Part # 1-1579007-4  
EXTRACTION TOOL



TE Part # 4-1579007-3  
EXTRACTION TOOL KIT



TE Part # CAT-T4827-CH8172  
Timer Connector Housing



TE Part # CAT-M9194-CH8172  
MULTILOCK, CONNECTOR HOUSING



TE Part # 2151450-1  
OCEAN-2.0-APPLICATOR-S-110F140OV-RSM



TE Part # 2151450-2  
OCEAN-2.0-APPLICATOR-S-110F140OV-RSA



TE Part # 2305570-1  
Strip Terminal Cutter-Side Feed-No Crimp



TE Part # 5-2151450-1  
OCEAN-2.0-APPLICATOR-S-110F140OV-RSM



TE Part # 5-2151450-2  
OCEAN-2.0-APPLICATOR-S-110F140OV-RSA



TE Part # 7-2151450-7  
OCEAN\_2.0\_SPARE\_PART\_KIT-110F140OV

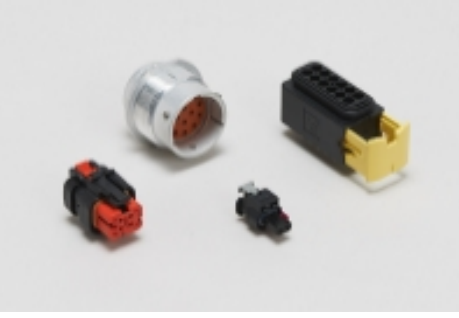


TE Part # 7-2151450-1  
OCEAN-2.0-APPLICATOR-S-110F140OV

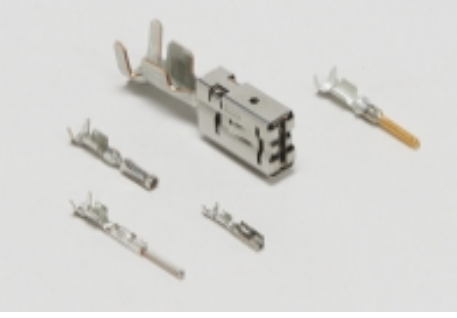


TE Part # 7-2151450-2  
OCEAN-2.0-APPLICATOR-S-110F140OV

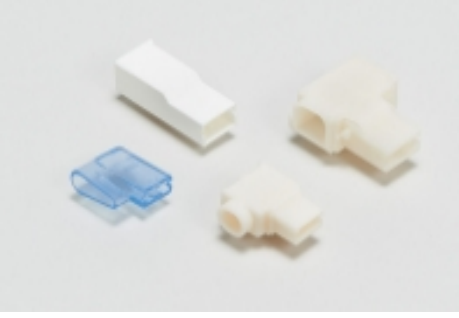
## Also in the Series | FASTIN-FASTON 110




Automotive Housings(6)



Automotive Terminals(5)



Crimp Terminal Housings(34)

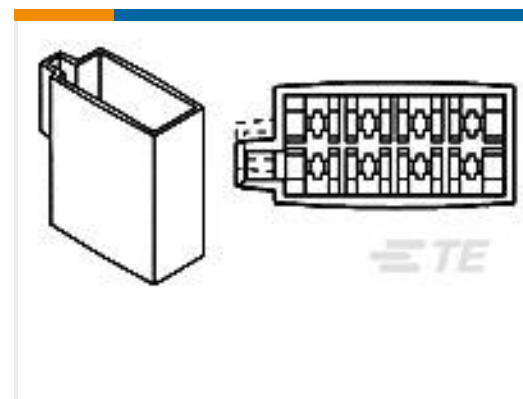


Insertion & Extraction Tools(3)



Quick Disconnects(83)

## Customers Also Bought

TE Part # 929504-2  
Timer Connector HousingTE Part # 1-2369516-1  
18POS, TAB1.6X0.6, HDR ASSY,  
180DEG, COD ATE Part # 964267-4  
TAB A 1.6x0.6 CONTACT CS SRC AgTE Part # 4-1478763-6  
METAL BACKSHELL 15 WAY 45 DEGRTE Part # 100284-1  
2P.4MM SOCK.ASS.M27TE Part # 106455-4  
FF 110 PLUG HSG 8P.TE Part # 963961-2  
FF 110 TAB 0.2-0.5MM2 .070 F PTP  
CUZN30

## Documents

### Product Drawings

[FF 110 TAB 1.0-2.5 MM2 PTP CUZN30](#)

English

### CAD Files

[3D PDF](#)

3D

Customer View Model

[ENG\\_CVM\\_CVM\\_928781-2\\_R.2d\\_dxf.zip](#)

English

Customer View Model

[ENG\\_CVM\\_CVM\\_928781-2\\_R.3d\\_igs.zip](#)

English

Customer View Model

[ENG\\_CVM\\_CVM\\_928781-2\\_R.3d\\_stp.zip](#)

English

By downloading the CAD file I accept and agree to the [Terms and Conditions](#) of use.



---

**Product Specifications**

**2,8 mm Flachstecker**

English

**Application Specification**

English

**Application Specification**

English

**Application Specification**

German