

2-160256-1 ✓ ACTIVE

FASTON | FASTON 250

TE Internal #: 2-160256-1

Quick Disconnects, Receptacle, 17 - 14 AWG Wire Size, 1 - 2.5 mm<sup>2</sup>

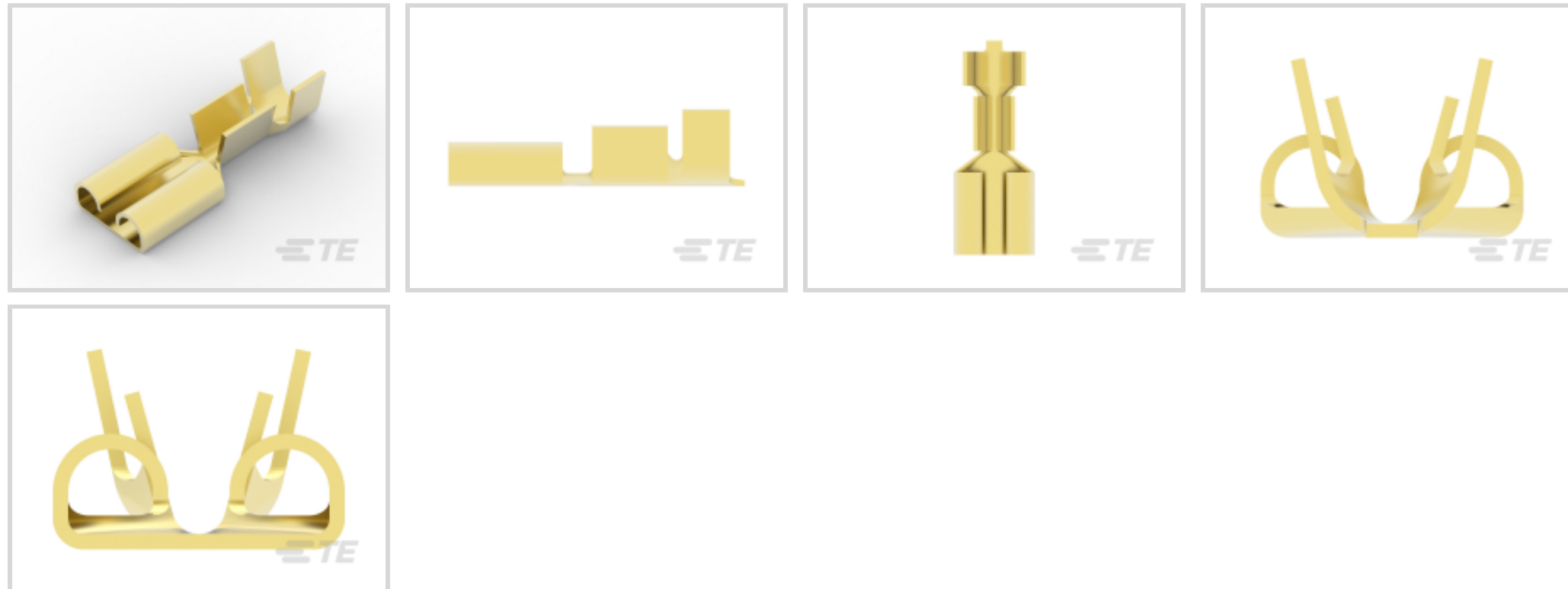
Wire Size, Mating Tab Width 6.35 mm [.25 in], Straight, Brass,

FASTON 250

[View on TE.com >](#)



Terminals & Splices > Quick Disconnects



Quick Disconnect Terminal Type: **Receptacle**

Wire Size: 1 - 2.5 mm<sup>2</sup>

Mating Tab Width: 6.35 mm [.25 in]

Mating Tab Thickness: .81 mm [.032 in]

## Features

### Product Type Features

Insertion Force	Normal
-----------------	--------

### Configuration Features

Connection Capacity	Single
---------------------	--------

Compatible With Wire & Cable Type	Discrete Wire
-----------------------------------	---------------

### Contact Features

Quick Disconnect Terminal Type	Receptacle
--------------------------------	------------

Mating Tab Width	6.35 mm [.25 in]
------------------	------------------

Mating Tab Thickness	.81 mm [.032 in]
----------------------	------------------

Terminal Orientation	Straight
----------------------	----------

Contact Base Material	Brass
-----------------------	-------

Terminal Plating Material	Unplated
---------------------------	----------

Crimp Type	F-Crimp
------------	---------

Barrel Type	Open
-------------	------

### Termination Features



Product Terminates To	Wire & Cable
-----------------------	--------------

### Mechanical Attachment

Extraction Force	80 Newton
------------------	-----------

Wire Insulation Support	With
-------------------------	------

Mating Retention Type	Dimple
-----------------------	--------

### Dimensions

Terminal Material Thickness	.41 mm[.016 in]
-----------------------------	-----------------

Product Length	19 mm[.748 in]
----------------	----------------

Compatible Insulation Diameter Range	3 - 4.3 mm[.118 - .169 in]
--------------------------------------	----------------------------

Wire Size	1 - 2.5 mm <sup>2</sup>
-----------	-------------------------

### Usage Conditions

Insulation Option	Uninsulated
-------------------	-------------

Operating Temperature Range	-40 - 110 °C[-40 - 230 °F]
-----------------------------	----------------------------

### Industry Standards

Compatible With Agency/Standards Products	CSA, UL
---	---------

### Packaging Features

Packaging Quantity	7000
--------------------	------

Packaging Method	Strip/Reel
------------------	------------

### Other

Line	Premier
------	---------

### Product Compliance

[For compliance documentation, visit the product page on TE.com>](#)

EU RoHS Directive 2011/65/EU	Compliant
------------------------------	-----------

EU ELV Directive 2000/53/EC	Compliant
-----------------------------	-----------

China RoHS 2 Directive MIIT Order No 32, 2016	No Restricted Materials Above Threshold
---	---

EU REACH Regulation (EC) No. 1907/2006	Current ECHA Candidate List: JAN 2024 (240) Candidate List Declared Against: JAN 2024 (240) Does not contain REACH SVHC
--	---

Halogen Content	Low Halogen - Br, Cl, F, I < 900 ppm per homogenous material. Also BFR/CFR/PVC Free
-----------------	---



Solder Process Capability

Not applicable for solder process capability

Product Compliance Disclaimer

This information is provided based on reasonable inquiry of our suppliers and represents our current actual knowledge based on the information they provided. This information is subject to change. The part numbers that TE has identified as EU RoHS compliant have a maximum concentration of 0.1% by weight in homogenous materials for lead, hexavalent chromium, mercury, PBB, PBDE, DBP, BBP, DEHP, DIBP, and 0.01% for cadmium, or qualify for an exemption to these limits as defined in the Annexes of Directive 2011/65/EU (RoHS2). Finished electrical and electronic equipment products will be CE marked as required by Directive 2011/65/EU. Components may not be CE marked. Additionally, the part numbers that TE has identified as EU ELV compliant have a maximum concentration of 0.1% by weight in homogenous materials for lead, hexavalent chromium, and mercury, and 0.01% for cadmium, or qualify for an exemption to these limits as defined in the Annexes of Directive 2000/53/EC (ELV). Regarding the REACH Regulation, the information TE provides on SVHC in articles for this part number is based on the latest European Chemicals Agency (ECHA) 'Guidance on requirements for substances in articles' posted at this URL: <https://echa.europa.eu/guidance-documents/guidance-on-reach>

## Compatible Parts



TE Part # 63648-1  
 250 FASTON FLAG REC 20-14 AWG BR



TE Part # 180397-1  
 250 FASTON, FLAG, REC., 17-14 AWG, BR



TE Part # 151321-1  
 250 FASTON, FLAG, P-BACK REC., 18-14 AWG, BR



TE Part # 2150234-1  
 OCEAN\_2.0\_APPLICATOR-E-110F180F-REM



TE Part # 2150234-2  
 OCEAN\_2.0\_APPLICATOR-E-110F180F-REA



TE Part # 7-2150234-7  
 OCEAN\_2.0\_SPARE\_PART\_KIT-110F180F




TE Part # 7-2150234-1  
 OCEAN\_2.0\_APPLICATOR-E-110F180F

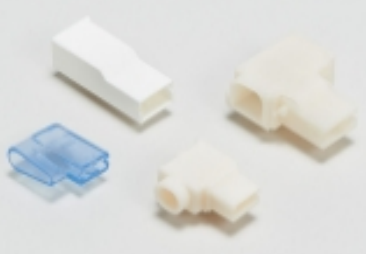


TE Part # 7-2150234-2  
 OCEAN\_2.0\_APPLICATOR-E-110F180F


## Also in the Series | FASTON 250



Compression Connectors(4)



Crimp Terminal Housings(133)



Insertion & Extraction Tools(6)



Magnet Wire Terminals(1)



PCB Terminals(134)



Quick Disconnects(441)



Splices(4)

## Customers Also Bought



TE Part # 3-643814-8  
 08P MTA100 CONN ASSY POL RIB



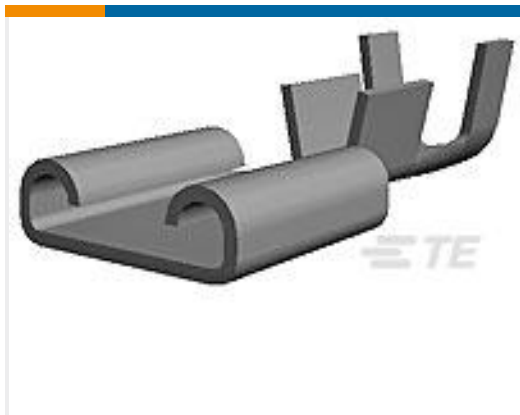
TE Part # NB-PTCO-050  
 Pt1000, 1.2x4.0, Class A,  
 PTFM102A1G0



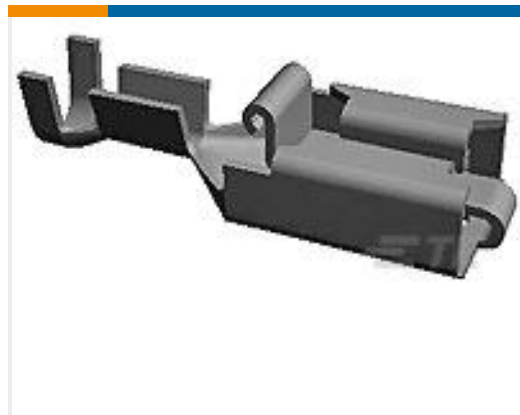
TE Part # T4032014031-000  
 M8.MLE.PNLFRONT.3POS.STR



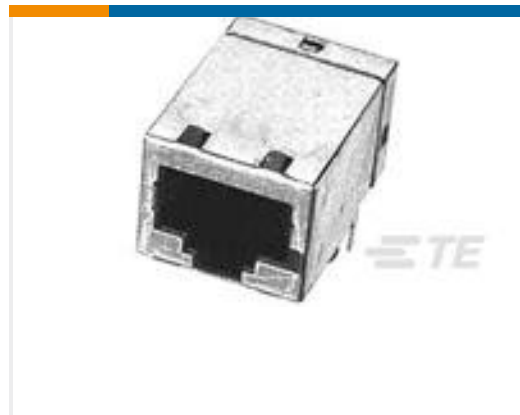
TE Part # 180430-2  
 250 FASTON,FLAG,REC.,20-16 AWG,  
 TPBR



TE Part # 2-160256-2  
 250 FASTON,REC.,17-14 AWG,TPBR



TE Part # 927854-6  
 PL 250 REC TERMINAL 17-13 AWG  
 PTPB



TE Part # 100616-1  
 8/8 MOD.JACK ASSY TE SHIELDED



TE Part # ASA021N00620100000  
 623 PLUG, SPEEDTEC



TE Part # 61-0171-080-026  
 BANDOLEER CONTACT PIN 1MM,  
 400 PCS ROL



TE Part # 61-0171-080-P00  
 BANDOLEER CONTACT PIN 1MM,  
 7000 PCS ROL

## Documents

### Product Drawings

[250 FASTON,REC.,17-14 AWG,BR](#)

English

### CAD Files

[3D PDF](#)

3D

### Customer View Model

[ENG\\_CVM\\_CVM\\_2-160256-1\\_CV\\_c-2-160256-1-cv.2d\\_dxf.zip](#)



English

**Customer View Model**

[ENG\\_CVM\\_CVM\\_2-160256-1\\_CV\\_c-2-160256-1-cv.3d\\_igs.zip](#)

English

**Customer View Model**

[ENG\\_CVM\\_CVM\\_2-160256-1\\_CV\\_c-2-160256-1-cv.3d\\_stp.zip](#)

English

By downloading the CAD file I accept and agree to the [Terms and Conditions](#) of use.

---

**Product Specifications**

[Application Specification](#)

English

---

**Agency Approvals**

[UL Report](#)

English