

PWO 4-POT-SL - Panel feed-through terminal block



3059715

<https://www.phoenixcontact.com/us/products/3059715>

Please be informed that the data shown in this PDF document is generated from our online catalog. Please find the complete data in the user documentation. Our general terms of use for downloads are valid.



Panel feed-through terminal block, connection method: Push-in spring connection, Solder connection, number of positions: 1, load current: 32 A, cross section: 0.2 mm² - 4 mm², connection direction of the conductor to plug-in direction: 45 °, width: 8.1 mm

Your advantages

- Time saving push-in connection, tools not required
- Defined contact force ensures that contact remains stable over the long term
- Tool-free snap-in principle enables easy mounting on the device panel
- Automatic panel thickness compensation enables universal use
- Reliable seal even with low-viscosity molding compounds

Commercial data

Item number	3059715
Packing unit	50 pc
Minimum order quantity	50 pc
Sales key	AA28
Product key	AA1AED
Catalog page	Page 603 (C-1-2013)
GTIN	4046356520874
Weight per piece (including packing)	9.25 g
Weight per piece (excluding packing)	7.521 g
Customs tariff number	85369010
Country of origin	CN

PWO 4-POT-SL - Panel feed-through terminal block



3059715

<https://www.phoenixcontact.com/us/products/3059715>

Technical data

Product properties

Product type	Panel feed-through terminal block
Product family	PWO 4-POT-SL
Number of positions	1
Pitch	8.1 mm
Number of connections	2
Number of rows	1
Number of potentials	1
Potentials	1

Insulation characteristics

Overvoltage category	III
Degree of pollution	3

Electrical properties

Nominal current I_N	32 A
Nominal voltage U_N	800 V
Degree of pollution	3
Rated voltage (III/3)	800 V
Rated surge voltage (III/3)	8 kV

Connection data

Connection technology

Connector system	PW 4
Nominal cross section	4 mm ²

Conductor connection exterior

Connection method	Push-in spring connection
Connection direction of the conductor to plug-in direction	45 °
Conductor cross section rigid	0.2 mm ² ... 4 mm ²
Conductor cross section flexible	0.2 mm ² ... 6 mm ²
Conductor cross section flexible, with ferrule without plastic sleeve	0.25 mm ² ... 6 mm ²
Conductor cross section, flexible, with ferrule, with plastic sleeve	0.25 mm ² ... 4 mm ²
2 conductors with the same cross section, flexible, with TWIN ferrule with plastic sleeve	0.5 mm ² ... 1 mm ²
Internal cylindrical gage	A4
Stripping length	10 mm

Conductor connection interior

Connection method	Solder connection
Connection direction of the conductor to plug-in direction	0 °

PWO 4-POT-SL - Panel feed-through terminal block



3059715

<https://www.phoenixcontact.com/us/products/3059715>

Mounting

Attachment to feed-through panel

Tightening torque	0.5 Nm ... 0.6 Nm (Mounting screw torque)
-------------------	---

Material specifications

Material data - contact

Note	WEEE/RoHS-compliant, free of whiskers according to IEC 60068-2-82/JEDEC JESD 201
Contact material	Cu alloy
Surface characteristics	tin-plated

Material data - housing

Color (Housing)	gray (7042)
Insulating material	PA
Insulating material group	I
CTI according to IEC 60112	600
Flammability rating according to UL 94	V0
Glow wire flammability index GWFI according to EN 60695-2-12	850
Glow wire ignition temperature GWIT according to EN 60695-2-13	775
Temperature for the ball pressure test according to EN 60695-10-2	125 °C

Material data – actuating element

Insulating material	PA
Insulating material group	I
CTI according to IEC 60112	600
Flammability rating according to UL 94	V0

Notes

Safety note

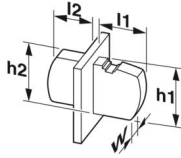
Safety note	<ul style="list-style-type: none">• Only electrically qualified personnel may install and operate the product. To recognize and prevent danger, the qualified personnel must be familiar with the basics of electrical engineering.• Observe the technical data provided here and refer to the documents listed under “Downloads”. The download area contains important information, such as installation notes, technical drawings, and 3D data.• To maintain the nominal voltage, cast the terminals on the inside.
-------------	---

Dimensions

PWO 4-POT-SL - Panel feed-through terminal block

3059715

<https://www.phoenixcontact.com/us/products/3059715>

Dimensional drawing	
Pitch	8.1 mm
Width [w]	8.1 mm

Mechanical tests

Test for conductor damage and slackening

Specification	IEC 60947-7-1:2009-04
Result	Test passed

Pull-out test

Specification	IEC 60947-7-1:2009-04
Conductor cross section/conductor type/tractive force setpoint/actual value	0.2 mm ² / solid / > 10 N
	0.2 mm ² / flexible / > 10 N
	4 mm ² / solid / > 60 N
	4 mm ² / flexible / > 60 N

Electrical tests

Temperature-rise test

Specification	IEC 60512-5-1:2002-02
Requirement temperature-rise test	Increase in temperature ≤ 45 K

Short-time withstand current

Specification	IEC 60947-7-1:2009-04
---------------	-----------------------

Air clearances and creepage distances | 1. Insulation coordination

Application	Metal wall 1.0 mm ... 4.0 mm
Specification	IEC 60664-1:2007-04
Insulating material group	I
Comparative tracking index (IEC 60112)	CTI 600
Rated insulation voltage (III/3)	800 V
Rated surge voltage (III/3)	8 kV
minimum clearance value - non-homogenous field (III/3)	8 mm
minimum creepage distance (III/3)	10 mm

Environmental and real-life conditions

Vibration test

Specification	IEC 60068-2-6:2007-12
Frequency	10 Hz ... 150 Hz
Sweep speed	1 octave/min

PWO 4-POT-SL - Panel feed-through terminal block



3059715

<https://www.phoenixcontact.com/us/products/3059715>

Amplitude	0.35 mm (10 Hz ... 60.1 Hz)
Acceleration	5g (60.1 Hz ... 150 Hz)
Test duration per axis	2.5 h

Glow-wire test

Specification	IEC 60695-2-11:2000-10
Temperature	960 °C
Time of exposure	30 s

Ambient conditions

Ambient temperature (operation)	-40 °C ... 100 °C (Depending on the current carrying capacity/derating curve)
Ambient temperature (storage/transport)	-40 °C ... 70 °C
Relative humidity (storage/transport)	30 % ... 70 %
Ambient temperature (assembly)	-5 °C ... 100 °C

Packaging specifications

Type of packaging	packed in cardboard
-------------------	---------------------

PWO 4-POT-SL - Panel feed-through terminal block

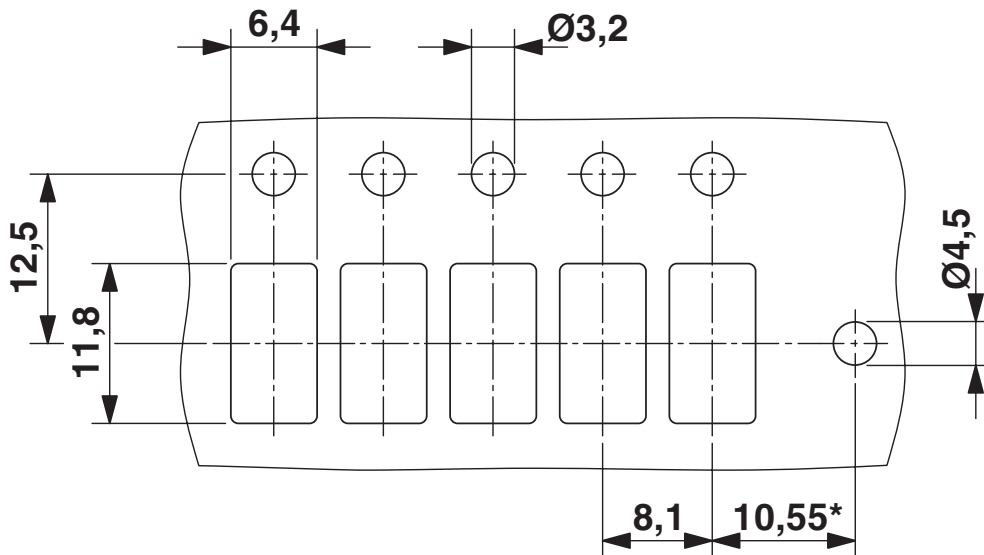


3059715

<https://www.phoenixcontact.com/us/products/3059715>

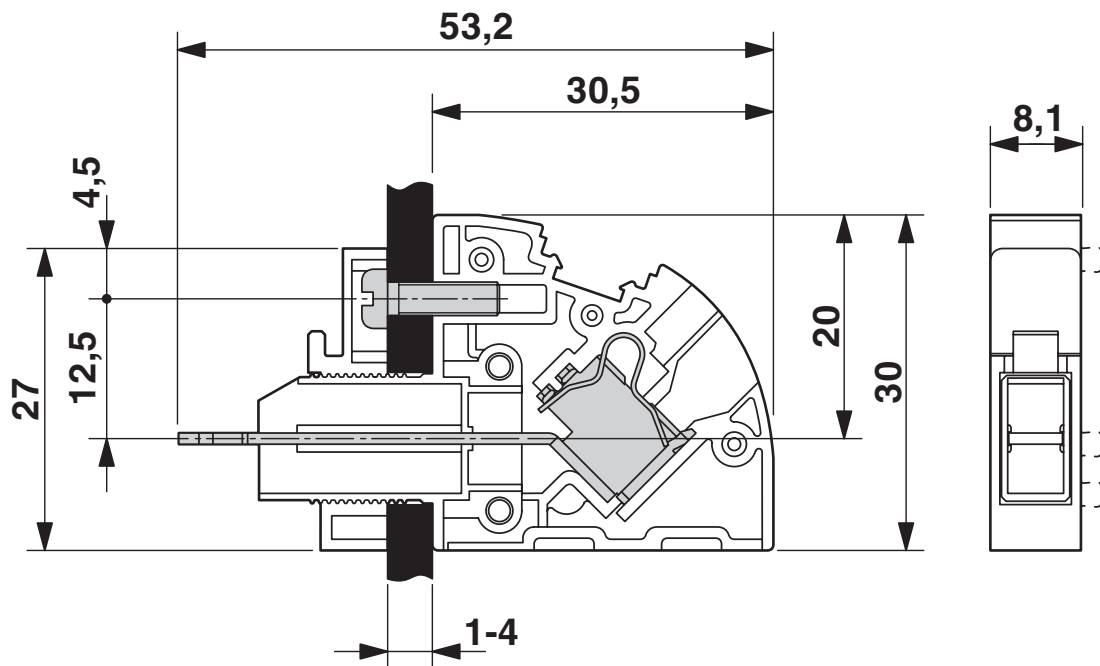
Drawings

Dimensional drawing



*Only when using the PW 4-F flange plate

Dimensional drawing

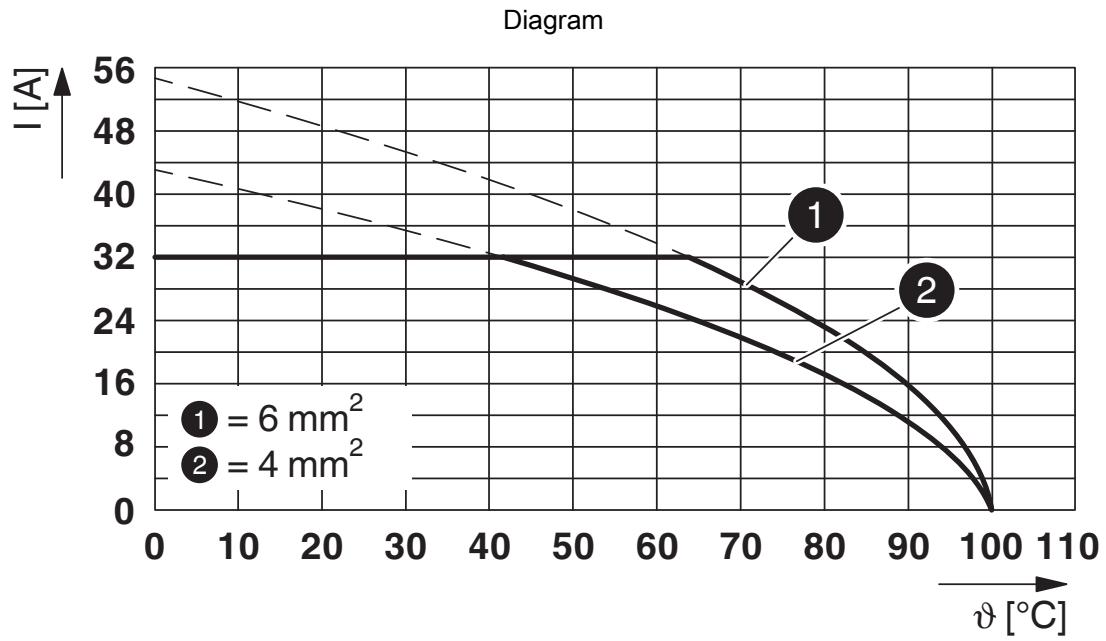


PWO 4-POT-SL - Panel feed-through terminal block



3059715

<https://www.phoenixcontact.com/us/products/3059715>



Type: PW(O) 4-POT-SL(/S)

PWO 4-POT-SL - Panel feed-through terminal block





3059715

<https://www.phoenixcontact.com/us/products/3059715>

Approvals

To download certificates, visit the product detail page: <https://www.phoenixcontact.com/us/products/3059715>

 CSA Approval ID: 2618381-158887				
	Nominal voltage U_N	Nominal current I_N	Cross section AWG	Cross section mm^2
Use group B	300 V	30 A	24 - 10	-
Use group D	300 V	10 A	24 - 10	-

 cULus Recognized Approval ID: E60425-20100423				
	Nominal voltage U_N	Nominal current I_N	Cross section AWG	Cross section mm^2
Use group B	300 V	30 A	24 - 10	-
Use group C	300 V	30 A	24 - 10	-
Use group D	600 V	5 A	24 - 10	-

PWO 4-POT-SL - Panel feed-through terminal block



3059715

<https://www.phoenixcontact.com/us/products/3059715>

Classifications

ECLASS

ECLASS-11.0	27141134
ECLASS-13.0	27141134
ECLASS-12.0	27141134

ETIM

ETIM 9.0	EC001283
----------	----------

UNSPSC

UNSPSC 21.0	39121400
-------------	----------

PWO 4-POT-SL - Panel feed-through terminal block



3059715

<https://www.phoenixcontact.com/us/products/3059715>

Environmental product compliance

EU RoHS

Fulfills EU RoHS substance requirements	Yes, No exemptions
---	--------------------

China RoHS

Environment friendly use period (EFUP)	EFUP-E
	No hazardous substances above the limits

EU REACH SVHC

REACH candidate substance (CAS No.)	No substance above 0.1 wt%
-------------------------------------	----------------------------

PWO 4-POT-SL - Panel feed-through terminal block



3059715

<https://www.phoenixcontact.com/us/products/3059715>

Accessories

EB 2- 8 - Insertion bridge

0202154

<https://www.phoenixcontact.com/us/products/0202154>

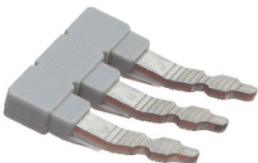


Insertion bridge, pitch: 8 mm, number of positions: 2, color: gray

EB 3- 8 - Insertion bridge

0202141

<https://www.phoenixcontact.com/us/products/0202141>



Insertion bridge, pitch: 8 mm, number of positions: 3, color: gray

PWO 4-POT-SL - Panel feed-through terminal block



3059715

<https://www.phoenixcontact.com/us/products/3059715>

EB 4- 8 - Insertion bridge

0202142

<https://www.phoenixcontact.com/us/products/0202142>

Insertion bridge, pitch: 8 mm, number of positions: 4, color: gray

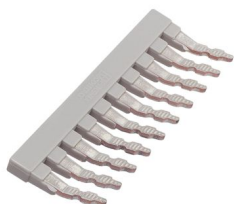


EB 10- 8 - Insertion bridge

0202138

<https://www.phoenixcontact.com/us/products/0202138>

Insertion bridge, pitch: 8 mm, number of positions: 10, color: gray



PWO 4-POT-SL - Panel feed-through terminal block



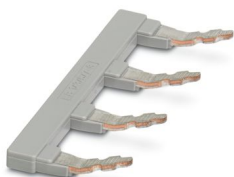
3059715

<https://www.phoenixcontact.com/us/products/3059715>

EB 1/3/5/7-8 - Insertion bridge

3072340

<https://www.phoenixcontact.com/us/products/3072340>

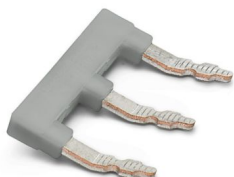


Insertion bridge, pitch: 16.4 mm, number of positions: 4, pin assignment: 1, 3, 5, 7, length: 24 mm, color: gray

EB 1/3/5-8 - Insertion bridge

3072341

<https://www.phoenixcontact.com/us/products/3072341>



Insertion bridge, pitch: 16.4 mm, number of positions: 3, pin assignment: 1,3,5, length: 24 mm, color: gray

PWO 4-POT-SL - Panel feed-through terminal block



3059715

<https://www.phoenixcontact.com/us/products/3059715>

TMT (EX9,5)R - Marker for terminal blocks

0828295

<https://www.phoenixcontact.com/us/products/0828295>



Marker for terminal blocks, Roll, white, unlabeled, can be labeled with: THERMOMARK E.300 (D)/600 (D), THERMOMARK ROLL 2.0, THERMOMARK ROLL, THERMOMARK ROLL X1, THERMOMARK ROLLMASTER 300/600, THERMOMARK X1.2, mounting type: snapped, snap into tall marker groove, for terminal block width: 30000 mm, lettering field size: 9.5 x 50000 mm, Number of individual labels: 1

UC-TM 8 - Marker for terminal blocks

0818072

<https://www.phoenixcontact.com/us/products/0818072>



Marker for terminal blocks, Sheet, white, unlabeled, can be labeled with: BLUEMARK ID COLOR, BLUEMARK ID, BLUEMARK CLED, PLOTMARK, CMS-P1-PLOTTER, mounting type: snapped, for terminal block width: 8.2 mm, lettering field size: 7.6 x 10.5 mm, Number of individual labels: 56

PWO 4-POT-SL - Panel feed-through terminal block



3059715

<https://www.phoenixcontact.com/us/products/3059715>

UC-TMF 8 - Marker for terminal blocks

0818137

<https://www.phoenixcontact.com/us/products/0818137>

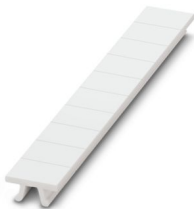


Marker for terminal blocks, Sheet, white, unlabeled, can be labeled with: BLUEMARK ID COLOR, BLUEMARK ID, BLUEMARK CLED, PLOTMARK, CMS-P1-PLOTTER, mounting type: snapped, for terminal block width: 8.2 mm, lettering field size: 7.6 x 5.1 mm, Number of individual labels: 56

ZB 8:UNBEDRUCKT - Zack marker strip

1052002

<https://www.phoenixcontact.com/us/products/1052002>



Zack marker strip, Strip, white, unlabeled, can be labeled with: PLOTMARK, CMS-P1-PLOTTER, mounting type: snapped, for terminal block width: 8.2 mm, lettering field size: 10.5 x 8.15 mm, Number of individual labels: 10

PWO 4-POT-SL - Panel feed-through terminal block



3059715

<https://www.phoenixcontact.com/us/products/3059715>

ZB 8 CUS - Zack marker strip

0825011

<https://www.phoenixcontact.com/us/products/0825011>



Zack marker strip, can be ordered: Strip, white, labeled according to customer specifications, mounting type: snap into tall marker groove, for terminal block width: 8.2 mm, lettering field size: 10.5 x 8.15 mm, Number of individual labels: 10

UC-TMF 8 CUS - Marker for terminal blocks

0824654

<https://www.phoenixcontact.com/us/products/0824654>



Marker for terminal blocks, can be ordered: by sheet, white, labeled according to customer specifications, mounting type: snap into flat marker groove, for terminal block width: 8.2 mm, lettering field size: 7.6 x 5.1 mm, Number of individual labels: 56

PWO 4-POT-SL - Panel feed-through terminal block



3059715

<https://www.phoenixcontact.com/us/products/3059715>

UC-TM 8 CUS - Marker for terminal blocks

0824597

<https://www.phoenixcontact.com/us/products/0824597>



Marker for terminal blocks, can be ordered: by sheet, white, labeled according to customer specifications, mounting type: snap into tall marker groove, for terminal block width: 8.2 mm, lettering field size: 7.6 x 10.5 mm, Number of individual labels: 56

ZBF 8:UNBEDRUCKT - Zack Marker strip, flat

0808781

<https://www.phoenixcontact.com/us/products/0808781>



Zack Marker strip, flat, Strip, white, unlabeled, can be labeled with: PLOTMARK, CMS-P1-PLOTTER, mounting type: snapped, for terminal block width: 8 mm, lettering field size: 5.15 x 8.15 mm, Number of individual labels: 10

PWO 4-POT-SL - Panel feed-through terminal block



3059715

<https://www.phoenixcontact.com/us/products/3059715>

ZBF 8 CUS - Zack Marker strip, flat

0825030

<https://www.phoenixcontact.com/us/products/0825030>



Zack Marker strip, flat, can be ordered: Strip, white, labeled according to customer specifications, mounting type: snap into flat marker groove, for terminal block width: 8 mm, lettering field size: 5.15 x 8.15 mm, Number of individual labels: 10

SZF 1-0,6X3,5 - Screwdriver

1204517

<https://www.phoenixcontact.com/us/products/1204517>



Actuation tool, for ST terminal blocks, also suitable for use as a bladed screwdriver, size: 0.6 x 3.5 x 100 mm, 2-component grip, with non-slip grip

PWO 4-POT-SL - Panel feed-through terminal block



3059715

<https://www.phoenixcontact.com/us/products/3059715>

UCT-TM 8 - Marker for terminal blocks

0828740

<https://www.phoenixcontact.com/us/products/0828740>



Marker for terminal blocks, Sheet, white, unlabeled, can be labeled with: TOPMARK NEO, TOPMARK LASER, BLUEMARK ID COLOR, BLUEMARK ID, BLUEMARK CLED, THERMOMARK PRIME, THERMOMARK CARD 2.0, THERMOMARK CARD, mounting type: snapped, for terminal block width: 8.2 mm, lettering field size: 7.6 x 10.5 mm, Number of individual labels: 42

Phoenix Contact 2024 © - all rights reserved

<https://www.phoenixcontact.com>

Phoenix Contact USA
586 Fulling Mill Road
Middletown, PA 17057, United States
(+717) 944-1300
info@phoenixcon.com