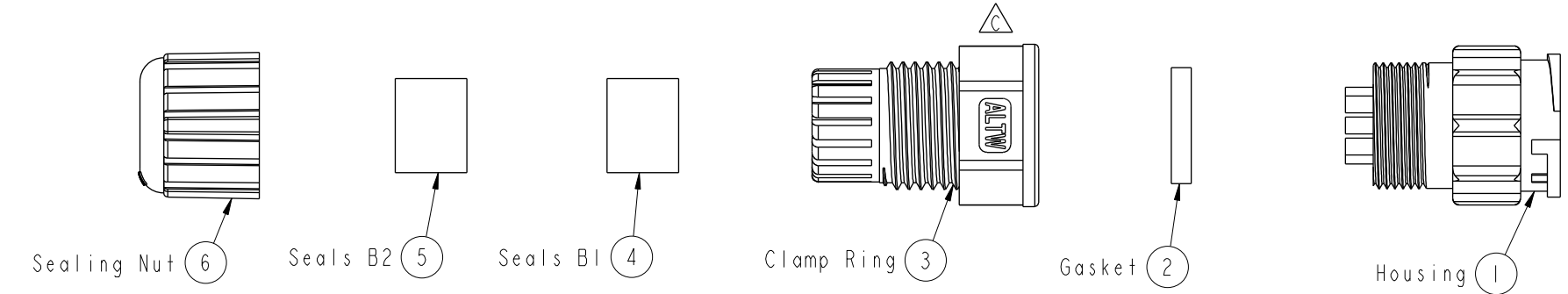


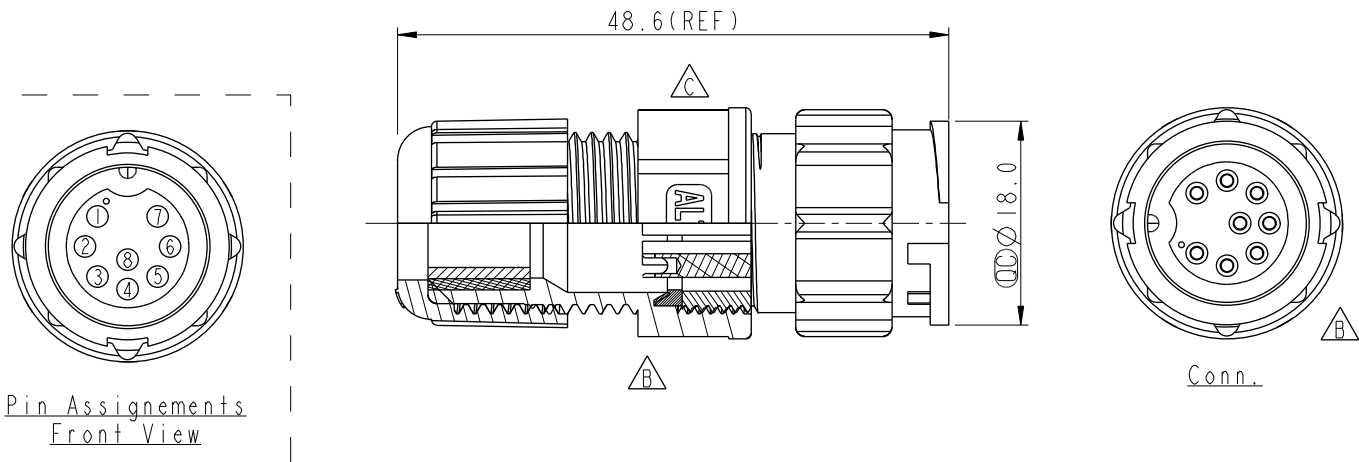
THIS DOCUMENT IS SUBJECT TO CHANGE WITHOUT NOTICE. IT IS CONFIDENTIAL AND A PROPERTY OF AMPHENOL LTW. DISCLOSURE TO THIRD PARTY HAS TO BE AUTHORIZED BY AMPHENOL LTW.

REV.	ECN NO.	DATE	SIGN	DESCRIPTION
B	LEN-0C0102	2009/11/23	Ivan	Change 前導角 View
C	LEN1741319	2017/04/24	Ruru	Change Logo

ALTW
CONFIDENTIAL
 2017-04-24
R&D DEPT.



ALTW
 DCC. DEPT.
CONFIDENTIAL
 2017.04.27
ISSUED



- Note:
- * \varnothing Important Dimension To Check.
 - * Waterproof Rate: IP67
 - * Housing: Nylon+GF, Black
 - * Female Pin: Copper Alloy, Gold Plated
 - * Gasket: Silicon, Black
 - * Clamp Ring: Nylon, Black
 - * Sealing Nut: Nylon, Black
 - * Seal B1 for Cable OD: $\varnothing 7.6\text{mm} \sim \varnothing 9.6\text{mm}$
 - * Seal B2 for Cable OD: $\varnothing 4.0\text{mm} \sim \varnothing 7.6\text{mm}$
 - * One Set Unassembled in One PE Bag

UNIT:mm		TITLE Middle, Assy Lock 8Pin M Conn F Pin			ITEM NO CD-08BMFA-LL7001		DRAWN BY Ruru		DATE 2017-04-24	
		SCALE 1:1 SIZE A4 SHEET 1 OF 1			DWG NO CD-08BMFA-LL7001		CHECKED BY Rita		DATE 2017-04-24	
TOLERANCE .X ±0.25 .XX ±0.1 .XXX ±0.05 ANGLES ±1°		REV. C WC-REV. A.2 \varnothing : Inspection item			CUSTOMER ALTW		APPROVED BY Max		DATE 2017-04-24	

Amphenol LTW
安費諾亮泰企業股份有限公司