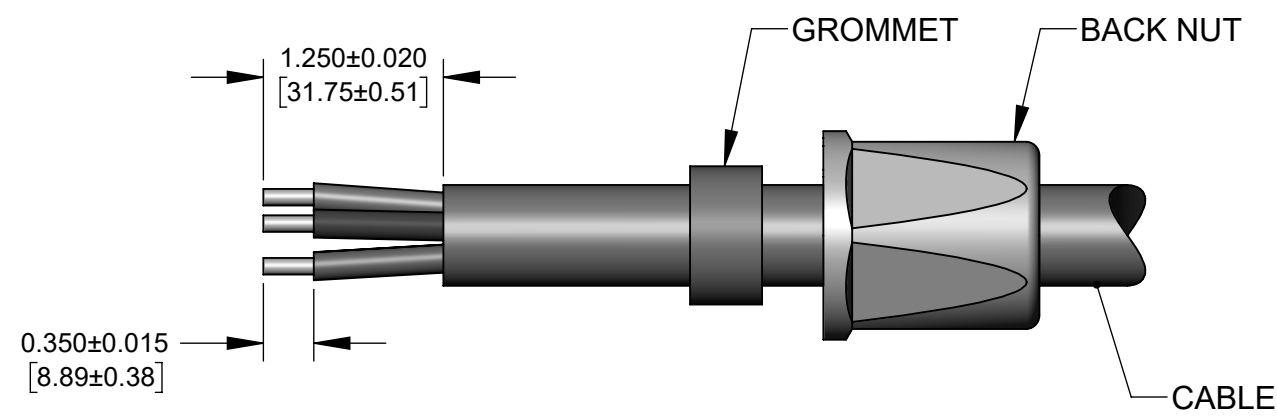


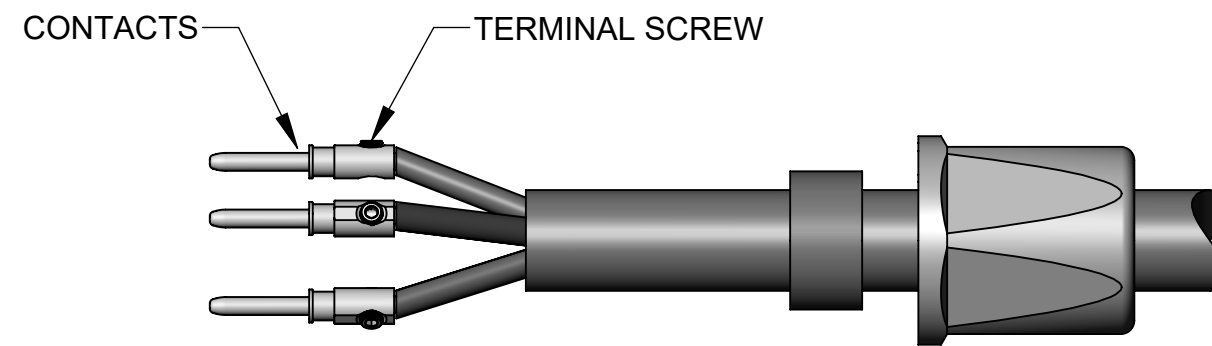
STEP 1



FEED THE FREE END OF CABLE THROUGH THE BACK NUT AND GROMMET IN THE ORDER SHOWN.
STRIP THE CABLE JACKET AND THE CONDUCTORS AS SHOWN.

STEP 2

5-POSITION PINS SHOWN



INSERT EACH STRIPPED CONDUCTOR INTO BARREL OF EACH CONTACT AND TIGHTEN TERMINAL SCREW USING A HEX DRIVE SIZE 2.
NOTE: THE PRE-ASSEMBLED TERMINAL SCREW ONTO CONTACT MAY HAVE TO BE BACKED OFF A LITTLE IN ORDER TO FIT THE 10 AWG WIRE IN THE BARREL WELL WITH EASE.

STEP 3

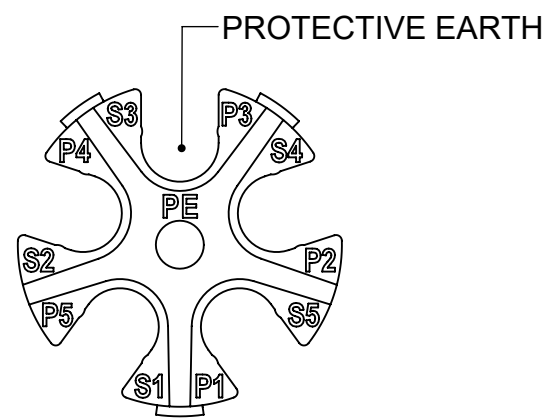
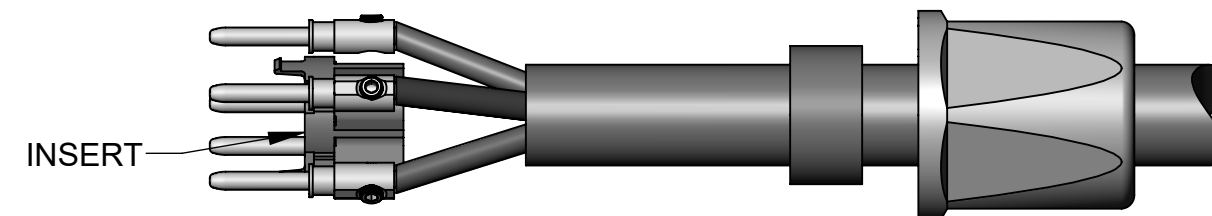


FIG A: INSERT (CONTACT CARRIER) REAR VIEW
S1-S5: SOCKET CONTACT POSITIONS, COUNTED CLOCKWISE
P1-P5: PIN CONTACT POSITIONS, COUNTED COUNTERCLOCKWISE



SPREAD THE WIRED CONTACTS APART RADIALLY AND POSITION INSERT BETWEEN CONTACTS PER WIRING DIAGRAM SHOWN IN FIG A.
ALIGN AND SNAP EACH CONTACT IN THE APPROPRIATE INSERT POCKET BY PUSHING FROM THE SIDE.

STEP 4

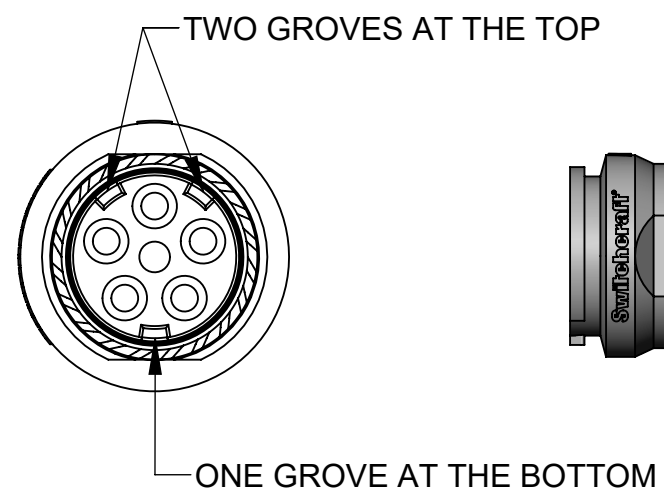
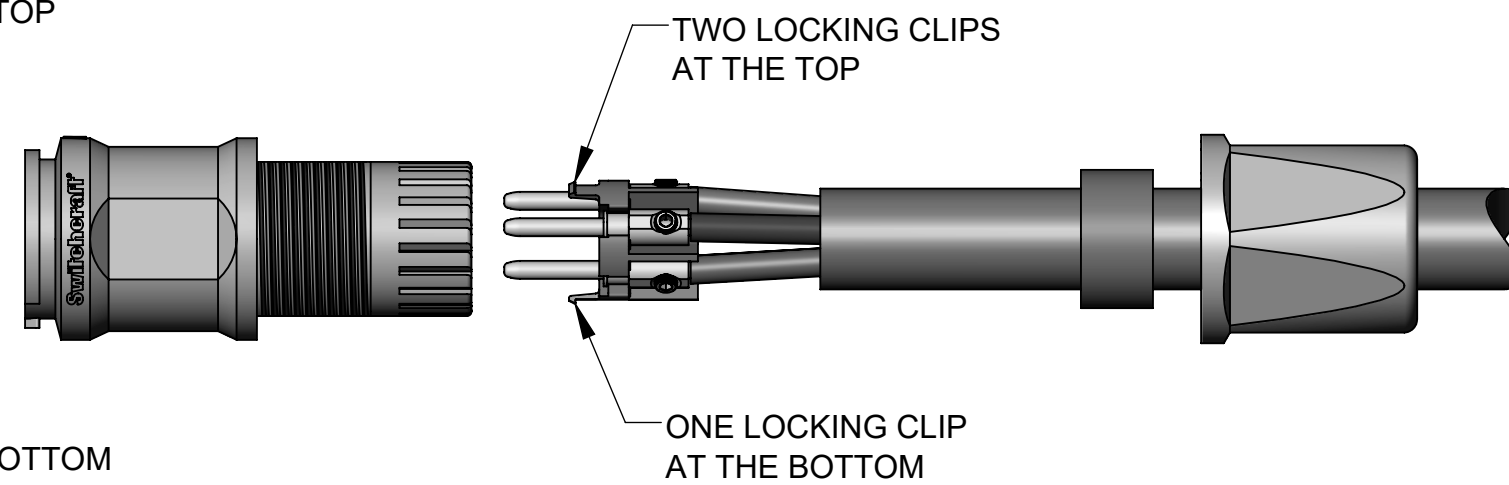
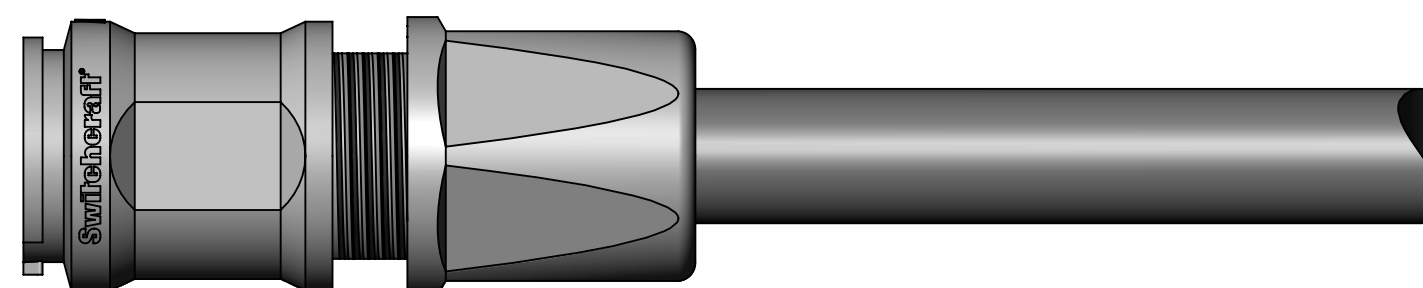


FIG B: SHELL ASSEMBLY REAR VIEW



ALIGN LOCKING CLIPS OF INSERT ASSEMBLY INTO GROOVES ON THE REAR OF THE SHELL ASSEMBLY (SEE FIG B) AND PUSH FORWARD UNTIL IT LOCKS IN PLACE.

STEP 5



FINISHED ASSEMBLY

SLIDE GROMMET INTO THE REAR OF SHELL. TIGHTEN BACK NUT TO SECURE CABLE. A 33 mm WRENCH CAN BE USED, IF NECESSARY.

CUSTOMER DRAWING

SCALE 1:1	Switchcraft®	
DATE DRAWN 04/04/23		
DRAWN BY PNK	PART No. EP7L SERIES	REV A