

RM44 and RM58 rotary magnetic encoders



The RM44/RM58 is an encoder for integration onto electric motors or other devices for measuring shaft position and rotational speed.

The solid metal housing provides highest IP protection classes, high EMC immunity, extended operating temperature range and best possible shock and vibration resistance.

The output signals are provided in industry standard absolute, incremental, analogue sinusoidal and linear voltage formats. Available are resolutions of up to 13 bit absolute SSI and/or 8,192 counts per revolution incremental for 5 V or 24 V power supply.

A system accuracy of $\pm 0.5^\circ$ can be achieved with supplied magnet. For easy integration onto or into the shaft, a range of magnetic actuators is also available.

Product range

RM44/RM58AC

Analogue with a single sine/cosine cycle per revolution.

RM44/RM58DC

BiSS-C interface with up to 8,192 counts per revolution and optional revolution counter.

RM44/RM58I

Incremental with 80 to 2,048 pulses per revolution (320 to 8,192 counts per revolution with x 4 evaluation) and/or complementary analogue outputs with a single sine/cosine cycle per revolution.

RM44/RM58SC

Synchro serial interface (SSI) with 320 to 8,192 positions per revolution.

RM44/RM58SI

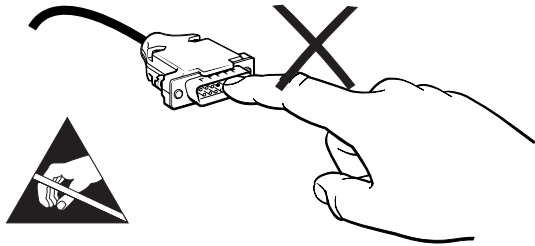
Synchro serial interface (SSI) with 320 to 8,192 positions per revolution and incremental with 80 to 2,048 pulses per revolution (320 to 8,192 counts per revolution with x 4 evaluation).

RM44/RM58Vx

Linear voltage output in a range of variants.

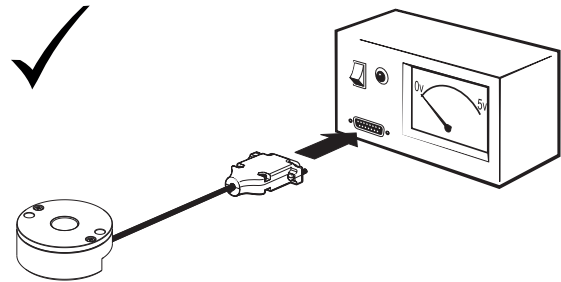
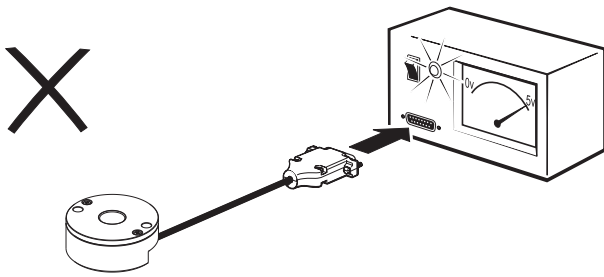
- Easy to install – with self locating design
- Inexpensive solution for OEM integration
- Fully sealed to IP68
- High reliability from proven non-contact sensing technology

Storage and handling

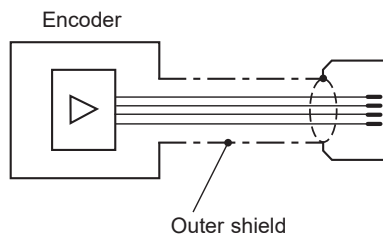


IMPORTANT: Power to RM44 encoders must be supplied from a DC SELV supply complying with the essential requirements of EN (IEC) 60950 or similar specification.

The RM44 series encoders have been designed to the relevant EMC standards, but must be correctly integrated to achieve EMC compliance. In particular, attention to shielding arrangements is critical.



Connections



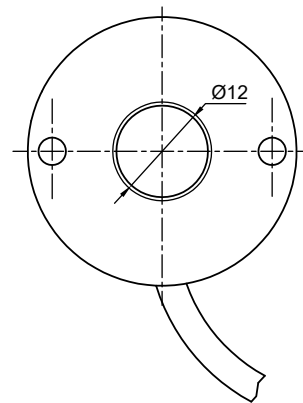
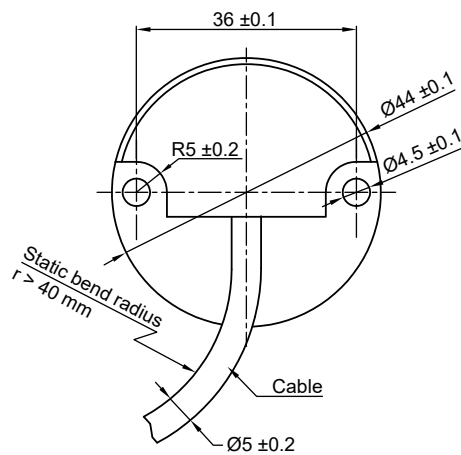
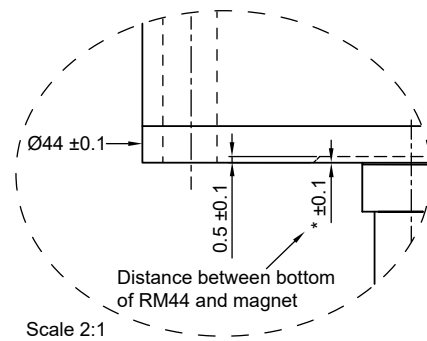
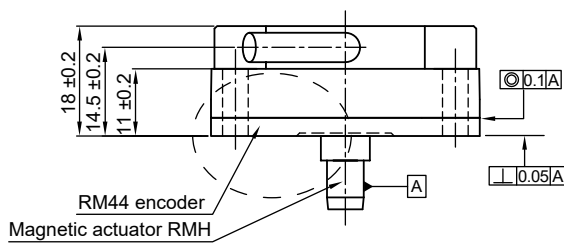
	RM44/RM58AC		RM44/RM58DC		RM44/RM58IA, IC, IG		RM44/RM58IB, IE		RM44/RM58SC		RM44/RM58SI		RM44/RM58Vx	
Pin Nr.	Function	Wire colour	Function	Wire colour	Function	Wire colour	Function	Wire colour	Function	Wire colour	Function	Wire colour	Function	Wire colour
1	Shield - see connection diagram				Shield - see connection diagram				Shield - see connection diagram					
2	V _A	Black	MA	White	Z+	White	Z	White	Clock	White	A+	Grey	NC	-
3	V _B	Brown	MA-	Brown	B+	Green	B	Green	Clock-	Brown	A-	Pink	V _{out}	Black
4	NC	-	NC	-	A+	Grey	A	Grey	NC	-	B+	Green	NC	-
5	V _{dd}	Red	V _{dd}	Red	V _{dd}	Red	V _{dd}	Red	V _{dd}	Red	B-	Yellow	V _{dd+}	Red
6	NC	-	SLO	Green	Z-	Brown	NC	-	Data	Green	Z+	White	NC	-
7	NC	-	SLO-	Yellow	B-	Yellow	NC	-	Data-	Yellow	Z-	Brown	NC	-
8	NC	-	NC	-	A-	Pink	NC	-	NC	-	V _{dd}	Red	NC	-
9	GND	Orange	GND	Blue	GND	Blue	GND	Blue	GND	Blue	Clock+	Black	GND	Orange
10											Clock-	Violet		
11											NC	-		
12											Data+	Grey/ Pink		
13											Data-	Red/ Blue		
14											NC	-		
15											GND	Blue		

Operating and electrical specifications

EMC compliance	EN 61326
Cable	Outside diameter 5 mm
Mass	Encoder unit 1 m cable (no connector) IP64 112 g, IP68 129 g. Magnetic actuator <2 g
Environmental sealing	IP64 (IP68 optional) EN 60529
Temperature drift error	0.004°/°C

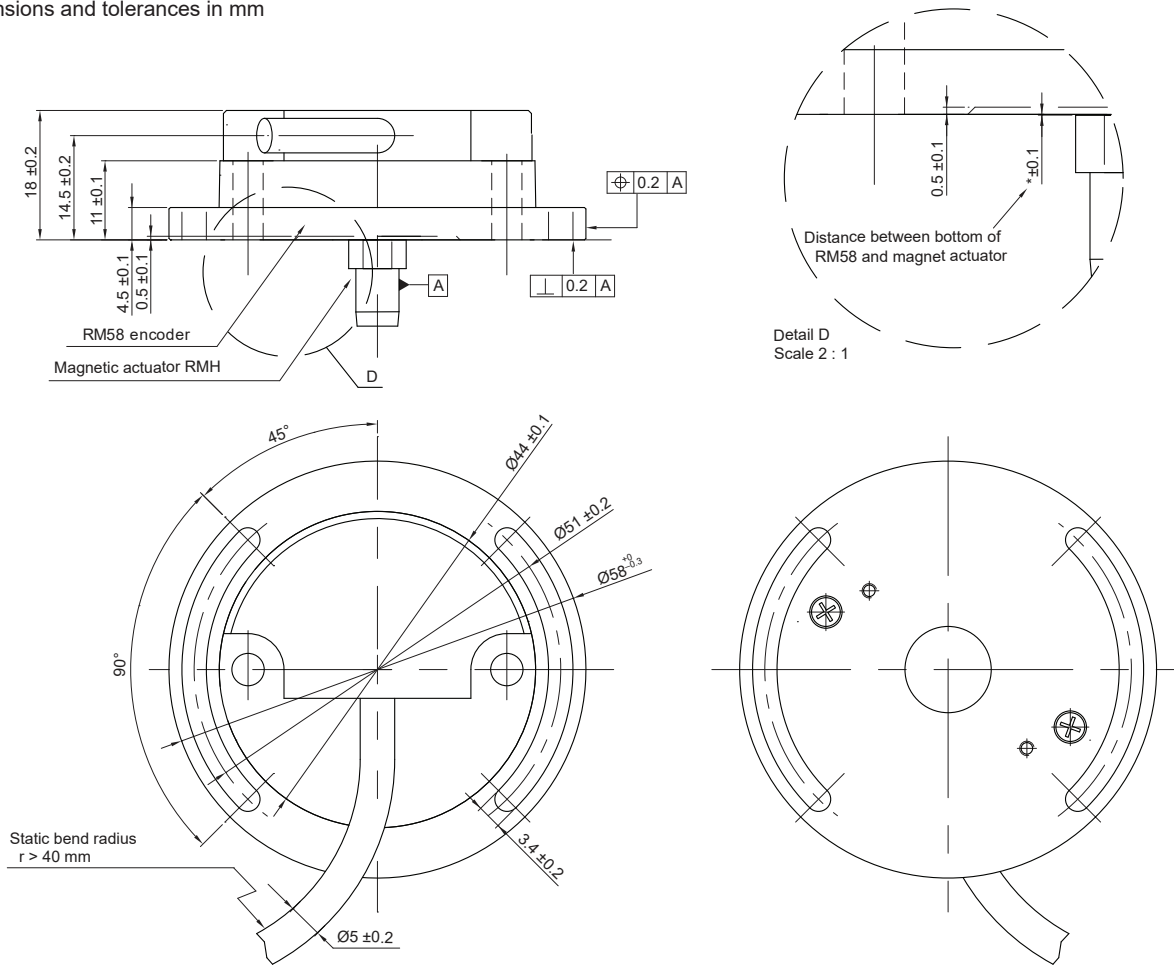
RM44 dimensions

Dimensions and tolerances in mm



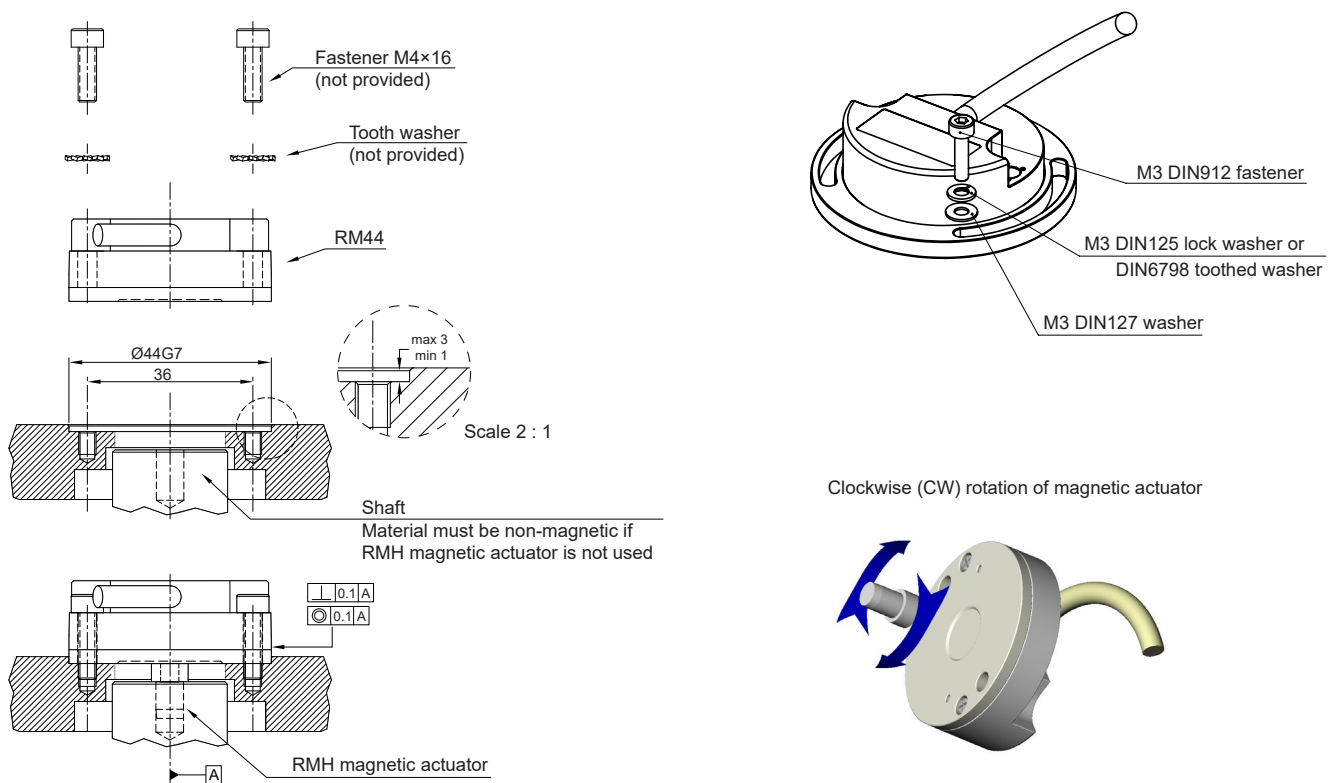
RM58 dimensions

Dimensions and tolerances in mm



RM44 installation drawing

Dimensions and tolerances in mm



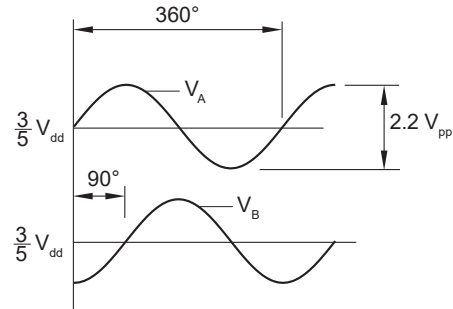
Output specifications – 5 V supply

RM44 / RM58AC – Analogue sinusoidal outputs

2 channels V_A , V_B sinusoids (90° phase shifted, single ended)

Power supply	$V_{dd} = 5\text{ V} \pm 5\%$
Current consumption	13 mA
Outputs	Signal amplitude $2.2 \pm 0.2 V_{pp}$ Signal offset $\frac{3}{5} V_{dd} \pm 5\text{ mV}$
Internal serial impedance	720 Ω
Maximum speed	60,000 rpm
Maximum cable length	3 m
Operating temperature	-30 °C to +80 °C

Timing diagram

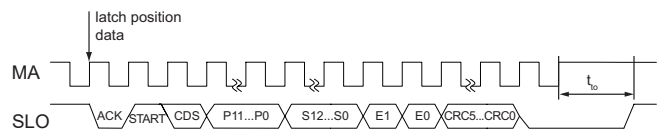


V_A leads V_B by 90° for clockwise rotation of magnetic actuator.

RM44 / RM58DC – Absolute natural binary BiSS-C interface

Output code	Natural binary
Power supply	$V_{dd} = 5\text{ V} \pm 5\%$
Current consumption	Max. 50 mA
Clock input	MA (RS422)
Data output	SLO (RS422)
Accuracy	Typ. $\pm 0.5^\circ$
Hysteresis	0.18°
Resolution	320, 400, 500, 512, 800, 1,000, 1,024, 1,600, 2,000, 2,048, 4,096, 8,192 positions per revolution
Revolution counter	12 bit (4096 revolutions)
Maximum speed	30,000 rpm
Operating temperature	-40 °C to +125 °C (IP64) -40 °C to +85 °C (IP68)
Max MA frequency	8 MHz

Timing diagram – BiSS C



Data	Length	Description
P11 – P0	0 or 12 bit	Revolution counter value when enabled (see Part numbering/ resolution)*
S12 – S0	7 to 13 bit	Position inside the revolution (length depends on the resolution)
E1 – E0	2 bit	Error data
CRC5 – CRC0	5 to 6 bit	Cyclic redundancy check data; polynomial 0x43; inverted bit output

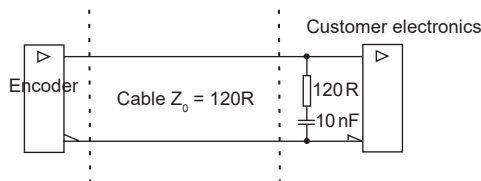
Error	E0	E1
No error	1	1
Amplitude error	0	1
Too high velocity	1	0
Undervoltage; Configuration; System error	0	0

* The revolution counter counts the number of mechanical revolutions of the shaft or magnet of the encoder. Counting is possible only when the encoder is powered. When the encoder is powered off, the revolution counter is reset to 0.

For more information on BiSS C protocol please visit www.biss-interface.com.

Recommended signal termination

For data output lines only

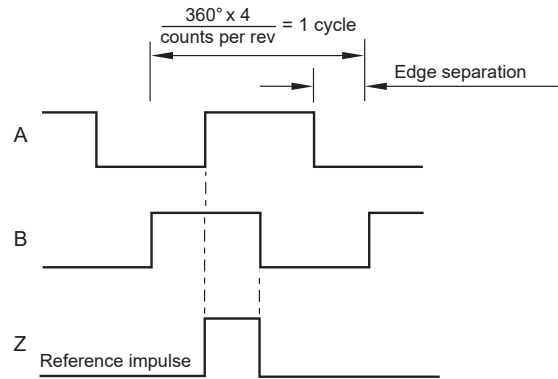


RM44 / RM581E – Incremental, open collector

Low cost alternative for ball bearing encoders

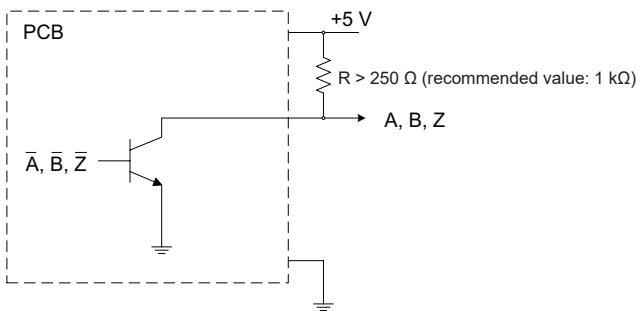
Power supply	$V_{dd} = 5\text{ V} \pm 5\%$
Current consumption	35 mA (not loaded)
Output signals	A, B, Z
Maximum output load	20 mA
Accuracy	Typ. $\pm 0.5^\circ$
Hysteresis	0.18°
Resolution	80 to 2,048 pulses per revolution (320, 400, 500, 512, 800, 1,000, 1,024, 1,600, 2,000, 2,048, 4,096, 8,192 counts per revolution)
Maximum speed	30,000 rpm
Maximum cable length	20 m
Operating temperature	-40 °C to +125 °C (IP64) -40 °C to +85 °C (IP68)

Timing diagram



B leads A for clockwise rotation of magnetic actuator.

Recommended signal termination



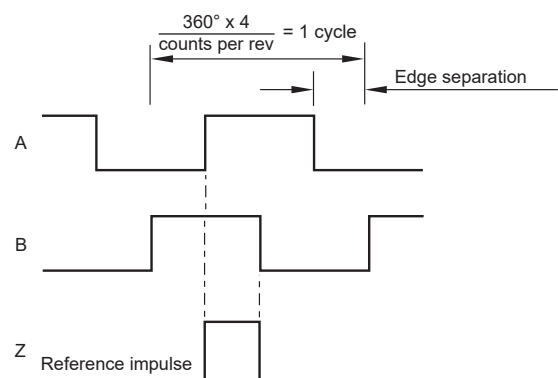
RM44 / RM581C – Incremental, RS422

Square wave differential line driver to RS422

Power supply	$V_{dd} = 5\text{ V} \pm 5\%$
Current consumption	Max. 35 mA
Output signals	A, B, Z, A-, B-, Z- (RS422)
Accuracy	Typ. $\pm 0.5^\circ$
Hysteresis	0.18°
Resolution	80 to 2,048 pulses per revolution (320, 400, 500, 512, 800, 1,000, 1,024, 1,600, 2,000, 2,048, 4,096, 8,192 counts per revolution)
Maximum speed	30,000 rpm
Maximum cable length	50 m
Operating temperature	-40 °C to +125 °C (IP64) -40 °C to +85 °C (IP68)

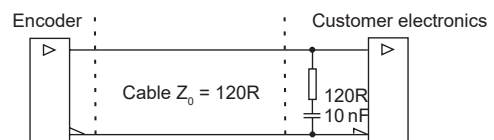
Timing diagram

Complementary signals not shown



B leads A for clockwise rotation of magnetic actuator.

Recommended signal termination

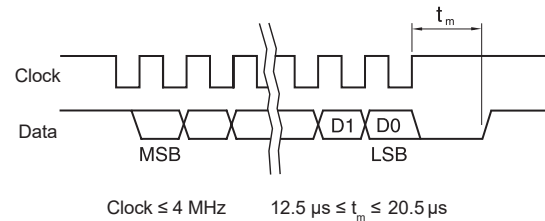


RM44 / RM58SC – Absolute binary synchro-serial interface (SSI)

Serial encoded absolute position measurement

Output code	Natural binary
Power supply	$V_{dd} = 5\text{ V} \pm 5\%$
Current consumption	Max. 35 mA
Data output	Serial data (RS422)
Data input	Clock (RS422)
Accuracy	Typ. $\pm 0.5^\circ$
Hysteresis	0.18°
Resolution	320, 400, 500, 512, 800, 1,000, 1,024, 1,600, 2,000, 2,048, 4,096, 8,192 positions per revolution
Maximum speed	30,000 rpm
Maximum cable length	100 m (at 1 MHz)
Operating temperature	-40°C to $+125^\circ\text{C}$ (IP64) -40°C to $+85^\circ\text{C}$ (IP68)

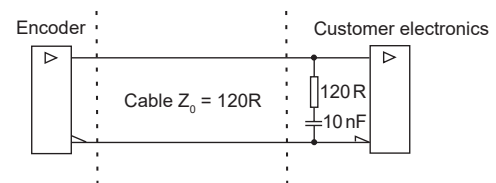
Timing diagram



Position increases for clockwise rotation of magnetic actuator.

Recommended signal termination

For data output lines only



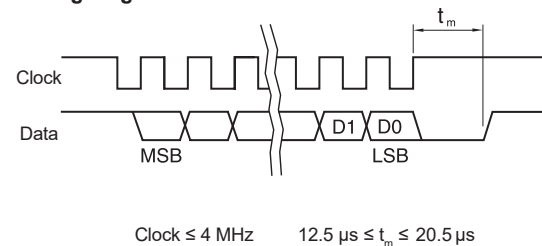
RM44 / RM58SI – Absolute binary synchro-serial (SSI) + Incremental, RS422

Complex feedback device for absolute position at start up as well as during operation + incremental outputs.

Both the incremental and the SSI output always have the same fixed resolution.

Output code	Natural binary
Power supply	$V_{dd} = 5\text{ V} \pm 5\%$
Current consumption	Max. 35 mA
Incremental outputs	A, B, Z, A-, B-, Z- (RS422)
Data output	Serial data (RS422)
Data input	Clock (RS422)
Accuracy	Typ. $\pm 0.5^\circ$
Hysteresis	0.18°
Resolution	80 to 2,048 pulses per revolution (320, 400, 500, 512, 800, 1,000, 1,024, 1,600, 2,000, 2,048, 4,096, 8,192 counts per revolution)
Maximum speed	30,000 rpm
Maximum cable length	50 m
Operating temperature	-40°C to $+125^\circ\text{C}$ (IP64) -40°C to $+85^\circ\text{C}$ (IP68)

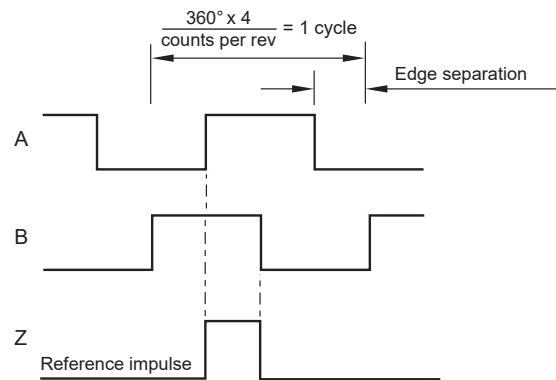
Timing diagram - SSI



Position increases for clockwise rotation of magnetic actuator.

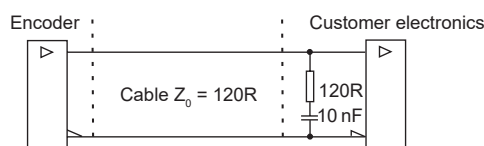
Timing diagram - Incremental

Complementary signals not shown



Recommended signal termination

For incremental signals + SSI data output lines only



RM44 / RM58Vx – Linear voltage output

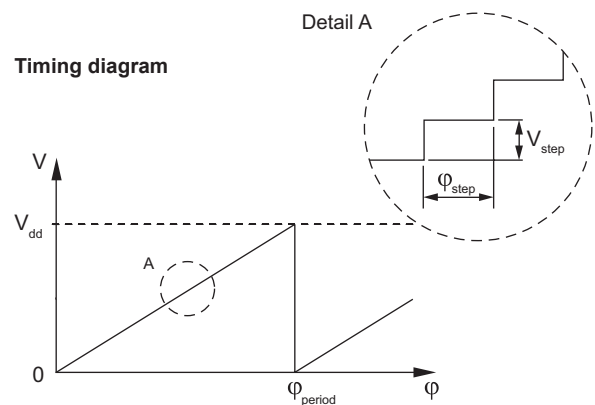
Alternative for potentiometers

Power supply	$V_{dd} = 5\text{ V} \pm 5\%$
Current consumption	Typ. 26 mA
Output voltage	0 V to V_{dd}
Output loading	Max. 10 mA
Nonlinearity	1 %
Maximum speed	30,000 rpm
Maximum cable length	20 m
Operating temperature	-30 °C to +80 °C

Φ_{period}	N_{period}	N_{step}	Φ_{step}
360°	1	1,024	0.35°
180°	2	1,024	0.18°
90°	4	1,024	0.09°
45°	8	512	0.09°

Output type and electrical variant

Φ_{period}	360°	180°	90°	45°
Rotation				
Clockwise	VA	VB	VC	VD
Counterclockwise	VE	VF	VG	VH



$$\Phi_{\text{step}} = \frac{\Phi_{\text{period}}}{N_{\text{step}}} \quad V_{\text{step}} = \frac{V_{dd}}{N_{\text{step}}}$$

- Φ_{period} = Angle covered in one period (one sawtooth)
- V_{period} = Output voltage range for one period
- Φ_{step} = Step angle (angular movement needed to register a change in the position)
- V_{step} = Output voltage range for one step
- N_{period} = Number of periods in one revolution
- N_{step} = Number of steps in one period

Output specifications - 24 V supply

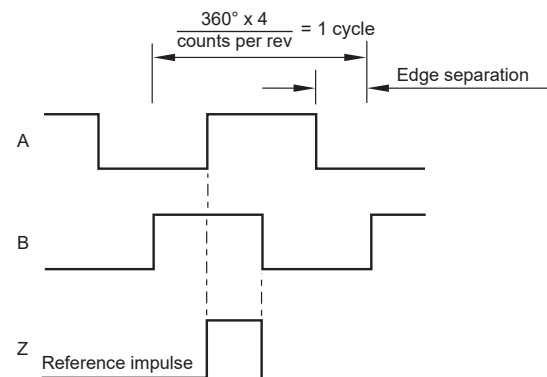
RM44 / RM58IA – Incremental, push-pull

Square wave output

Power supply	$V_{dd} = 8\text{ V to }26\text{ V}$
Current consumption	50 mA
Output signals	A, B, Z, A-, B-, Z- (RS422)
Maximum output load	30 mA
Accuracy	Typ. $\pm 0.5^\circ$
Hysteresis	0.18°
Resolution	80 to 2,048 pulses per revolution (320, 400, 500, 512, 800, 1,000, 1,024, 1,600, 2,000, 2,048, 4,096, 8,192 counts per revolution)
Maximum speed	30,000 rpm
Maximum cable length	20 m
Operating temperature	-40 °C to +125 °C (IP64) -40 °C to +85 °C (IP68)

Timing diagram

Complementary signals not shown



B leads A for clockwise rotation of magnetic actuator.

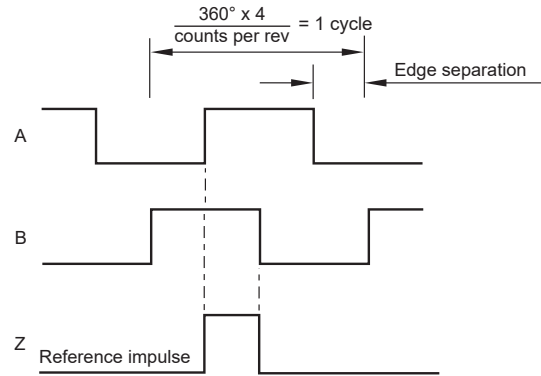
RM44 / RM581G – Incremental, push-pull

Square wave output

Power supply	$V_{dd} = 8\text{ V to }26\text{ V}$
Current consumption	50 mA
Output signals	A, B, Z, A-, B-, Z- (5 V RS422)
Maximum output load	30 mA
Accuracy	Typ. $\pm 0.5^\circ$
Hysteresis	0.18°
Resolution	80 to 2,048 pulses per revolution (320, 400, 500, 512, 800, 1,000, 1,024, 1,600, 2,000, 2,048, 4,096, 8,192 counts per revolution)
Maximum speed	30,000 rpm
Maximum cable length	20 m
Operating temperature	$-40\text{ }^\circ\text{C to }+125\text{ }^\circ\text{C}$ (IP64) $-40\text{ }^\circ\text{C to }+85\text{ }^\circ\text{C}$ (IP68)

Timing diagram

Complementary signals not shown



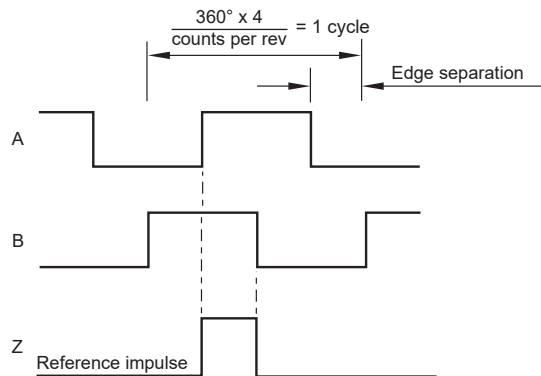
B leads A for clockwise rotation of magnetic actuator.

RM44 / RM581B – Incremental, open collector NPN

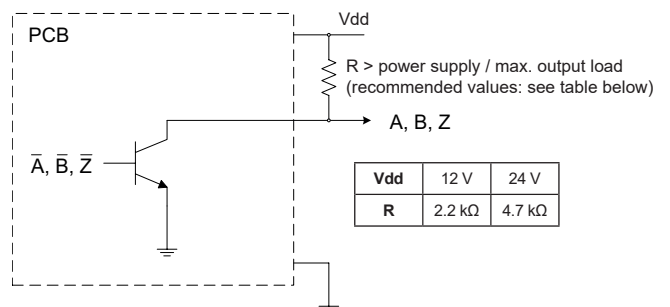
Square wave output

Power supply	$V_{dd} = 8\text{ V to }26\text{ V}$
Current consumption	50 mA
Output signals	A, B, Z
Maximum output load	20 mA
Accuracy	Typ. $\pm 0.5^\circ$
Hysteresis	0.18°
Resolution	80 to 2,048 pulses per revolution (320, 400, 500, 512, 800, 1,000, 1,024, 1,600, 2,000, 2,048, 4,096, 8,192 counts per revolution)
Maximum speed	30,000 rpm
Maximum cable length	20 m
Operating temperature	$-40\text{ }^\circ\text{C to }+125\text{ }^\circ\text{C}$ (IP64) $-40\text{ }^\circ\text{C to }+85\text{ }^\circ\text{C}$ (IP68)

Timing diagram



Recommended signal termination



Part numbering

Encoder system = Encoder body + Magnetic actuator or flange



RM44 encoder-sensor unit
eg. **RM44IC0013B10F2E10**

Magnetic actuator
eg. **RMA06A3A00**

Flange
eg. **RE58A10**

RM44 IC 00 13B 10 F 2 E 10

Series
RM44 - Ø44 mm body
RM58 - Ø58 mm body

Output type
AC - Analogue sinusoidal, 5 V
DC - Absolute natural binary BiSS-C, RS422, 5 V
IA - Incremental, push pull, 24 V
IB - Incremental, open collector NPN, 24 V
IC - Incremental, RS422, 5 V
IE - Incremental, open collector, 5 V
IG - Incremental, RS422, 5 V, supply 24 V
SC - Absolute binary synchro-serial (SSI), RS422, 5 V
SI - SSI + Incremental, RS422, 5 V
Vx - Linear voltage:

Linear voltage output 0 - 5 V, supply 5 V DC				
	360°	180°	90°	45°
CW	VA	VB	VC	VD
CCW	VE	VF	VG	VH

Shaft size
00 - n/a

Special requirements
10 - No special requirements (standard)
1M - Cable length in meters

Environment and material
E - IP64, die-cast body (Zinc alloy), standard EMC grade (standard)
F - IP68, die-cast body (Zinc alloy), standard EMC grade

Body style and cable exit
2 - Cylindrical body, radial cable exit

Connector options
A - 'D' type connector - 9 way
B - 'D' type connector - 15 way (for output type SI only)
F - Flying lead (no connector)

Cable length
10 - 1.0 meter (or 10 meters if 1M special requirement is chosen)

Resolution
For AC:
01S - One sine/cosine period per revolution
For DC, IA, IB, IC, IE, IG, SC and SI (counts/positions per revolution):

NOTE: Not all combinations are valid.

Decimal			Binary		
D32 - 320	D80 - 800	2D0 - 2000	07B - 128	10B - 1024	13B - 8192
D40 - 400	1D0 - 1000		08B - 256	11B - 2048	
D50 - 500	1D6 - 1600		09B - 512	12B - 4096	

For output types DC with enabled 12 bit revolution counter:

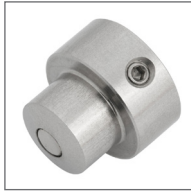
Decimal			Binary		
M32 - 320	M80 - 800	2M0 - 2000	07M - 128	10M - 1024	13M - 8192
M40 - 400	1M0 - 1000		08M - 256	11M - 2048	
M50 - 500	1M6 - 1600		09M - 512	12M - 4096	

For Vx:
10B - 1024 counts/positions per revolution

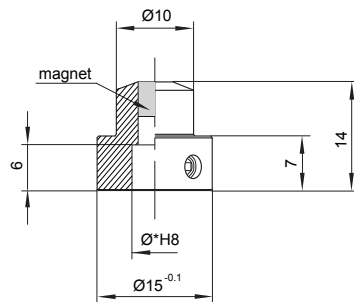
Magnetic actuators and magnets ordering information

Dimensions and tolerances in mm

Actuator for integration onto shaft



Shaft = \varnothing^*h7
Fixing: Grub screw provided

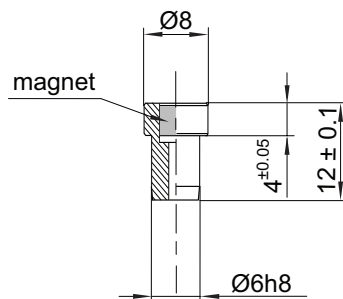


Part numbers:

For resolutions up to 9 bit absolute (512 cpr incremental)
RMA04A2A00 – $\varnothing 4$ mm shaft **RMA10A2A00** – $\varnothing 10$ mm shaft
RMA05A2A00 – $\varnothing 5$ mm shaft **RMA19A2A00** – $\varnothing 3/16''$ shaft
RMA06A2A00 – $\varnothing 6$ mm shaft **RMA25A2A00** – $\varnothing 1/4''$ shaft
RMA08A2A00 – $\varnothing 8$ mm shaft **RMA37A2A00** – $\varnothing 3/8''$ shaft

For resolutions from 10 bit absolute (800 cpr incremental) and above
RMA04A3A00 – $\varnothing 4$ mm shaft **RMA10A3A00** – $\varnothing 10$ mm shaft
RMA05A3A00 – $\varnothing 5$ mm shaft **RMA19A3A00** – $\varnothing 3/16''$ shaft
RMA06A3A00 – $\varnothing 6$ mm shaft **RMA25A3A00** – $\varnothing 1/4''$ shaft
RMA08A3A00 – $\varnothing 8$ mm shaft **RMA37A3A00** – $\varnothing 3/8''$ shaft

Actuator for integration into shaft



Part numbers:

For resolutions up to 9 bit absolute (512 cpr incremental)
RMH06A2A00

For resolutions from 10 bit absolute (800 cpr incremental) and above
RMH06A3A00

With N-pole marker scribed to a $\pm 5^\circ$ accuracy:

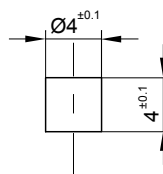
For resolutions up to 9 bit absolute (512 cpr incremental)
RMH06A2A02

For resolutions from 10 bit absolute (800 cpr incremental) and above
RMH06A3A02

Hole = $\varnothing 6G7$

Fixing: Glue (recommended – LOCTITE 648 or LOCTITE 2701)

Magnet for direct recessing in non-ferrous shafts



Fixing: Glue (recommended – LOCTITE 648 or LOCTITE 2701)

Part numbers:

For resolutions up to 9 bit absolute (512 cpr incremental)
RMM44A2A00 (individually packed) – for sample quantities only
RMM44A2C00 (packed in tubes)

For resolutions from 10 bit absolute (800 cpr incremental) and above
RMM44A3A00 (individually packed) – for sample quantities only
RMM44A3C00 (packed in tubes)

RE58 flange part numbering

Refer to RE58 datasheet for further details.



Part numbers:

RE58A10 - $\varnothing 58$ mm, 10 mm shaft



RE58B06 - $\varnothing 58$ mm, 6 mm shaft



RE58C10 - $\varnothing 58$ mm, 10 mm shaft

All RE58 flanges are supplied with required washer and M4 fasteners for RM44 encoder attachment.

Head office

RLS Merilna tehnika d. o. o.
 Poslovna cona Žeje pri Komendi
 Pod vrbami 2
 SI-1218 Komenda
 Slovenia

T +386 1 5272100

E mail@rls.si

www.rls.si

Document issues

Issue	Date	Page	Amendments done
11	15. 10. 2018	3, 4	RM58 installation drawing added, RM44 dimensions amended
12	19. 12. 2019	2	Connections amended
		5, 9	Signal termination amended
13	3. 2. 2020	4	RM58 dimension tolerance amended
14	22. 9. 2020	1, 2, 5, 10	RM44/58DC interface added
		3	RM44 dimensions drawing amended, Temperature drift error added
15	14. 2. 2022	2, 10	Connections table amended and connector added
16	23. 1. 2023	General	Connections table amended, revolution counter added
		3, 4	RM44 and RM58 dimension drawings amended
		5	Temperature amended

This product is not designed or intended for use outside the environmental limitations and operating parameters expressly stated on the product's datasheet. Products are not designed or intended for use in medical, military, aerospace, automotive or oil & gas applications or any safety-critical applications where a failure of the product could cause severe environmental or property damage, personal injury or death. Any use in such applications must be specifically agreed to by seller in writing, and is subject to such additional terms as the seller may impose in its sole discretion. Use of products in such applications is at buyer's own risk, and buyer will indemnify and hold harmless seller and its affiliates against any liability, loss, damage or expense arising from such use. Information contained in this datasheet was derived from product testing under controlled laboratory conditions and data reported thereon is subject to the stated tolerances and variations, or if none are stated, then to tolerances and variations consistent with usual trade practices and testing methods. The product's performance outside of laboratory conditions, including when one or more operating parameters is at its maximum range, may not conform to the product's datasheet. Further, information in the product's datasheet does not reflect the performance of the product in any application, end-use or operating environment buyer or its customer may put the product to. Seller and its affiliates make no recommendation, warranty or representation as to the suitability of the product for buyer's application, use, end-product, process or combination with any other product or as to any results buyer or its customer might obtain in their use of the product. Buyer should use its own knowledge, judgment, expertise and testing in selecting the product for buyer's application, end-use and/or operating environment, and should not rely on any oral or written statement, representation, or samples made by seller or its affiliates for any purpose. EXCEPT FOR THE WARRANTIES EXPRESSLY SET FORTH IN THE SELLER'S TERMS AND CONDITIONS OF SALE, SELLER MAKES NO WARRANTY EXPRESS OR IMPLIED WITH RESPECT TO THE PRODUCT, INCLUDING ANY WARRANTY OF MERCHANTABILITY OR FITNESS FOR ANY PARTICULAR PURPOSE, WHICH ARE DISCLAIMED AND EXCLUDED. All sales are subject to seller's exclusive terms and conditions of sale which, where the seller is (a) RLS Merilna tehnika d. o. o., are available at <https://www.rls.si/customer-service>, (b) Renishaw, Inc., are available at <http://www.renishaw.com/Shop/legal/en/-42186>, or (c) another person, are available on request, and in each case, are incorporated herein by reference, and are the exclusive terms of sale. No other terms and conditions apply. Buyer is not authorized to make any statements or representations that expand upon or extend the environmental limitations and operating parameters of the products, or which imply permitted usage outside of that expressly stated on the datasheet or agreed to in writing by seller.

RLS Merilna tehnika d. o. o. has made considerable effort to ensure the content of this document is correct at the date of publication but makes no warranties or representations regarding the content. RLS Merilna tehnika d. o. o. excludes liability, howsoever arising, for any inaccuracies in this document. © 2023 RLS d.o.o.