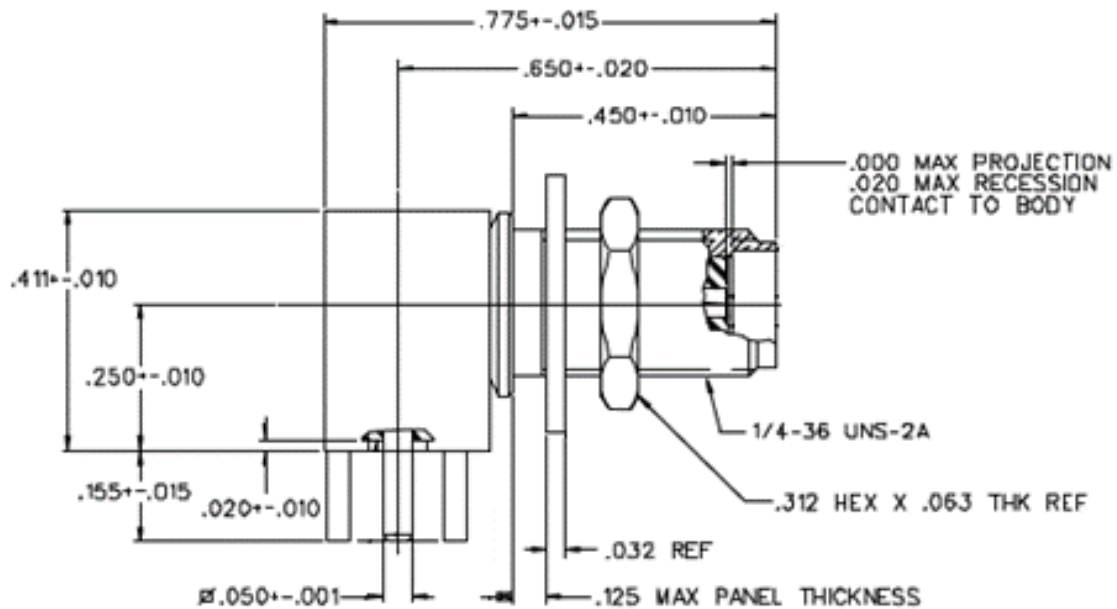
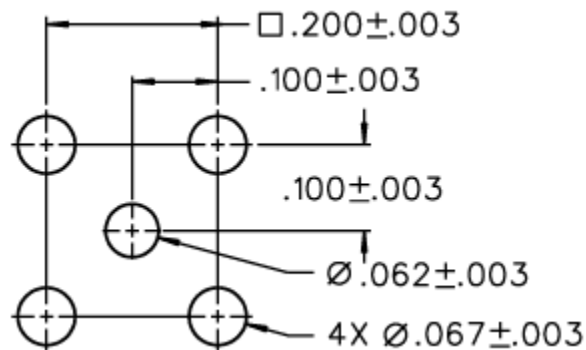
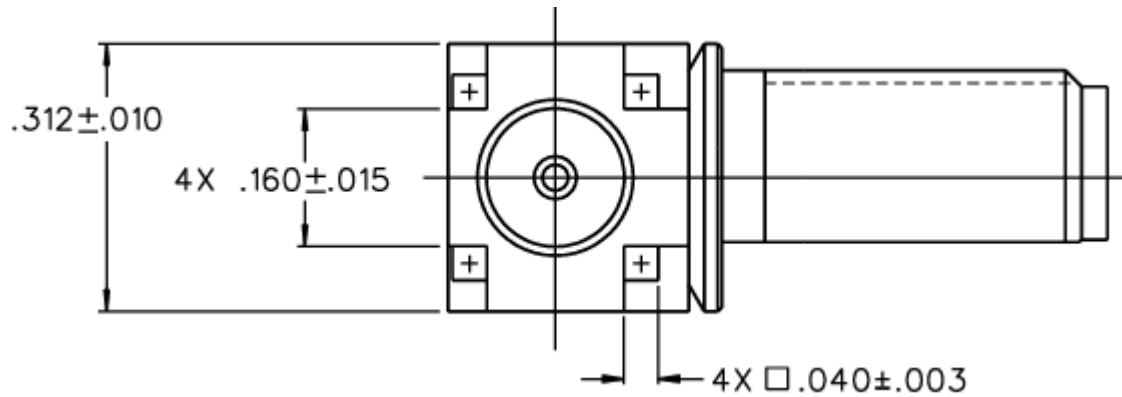


### BU-1420701507

(Jack Receptacle RA PC Mount Bulkhead SMA)





**Mounting Hole Positions**  
(Dimensions in Inches)

- Low VSWR Board edge, end launch mounting
- Designed to mount on .062" (1.57mm) Circuit Boards.
- Impedance:  $50 \Omega$
- Insulation Resistance:  $5000 M\Omega$
- Frequency: DC to 18 GHz.
- Working Voltage: 335 VRMS Max
- Dielectric Withstand: 1000 VRMS
- Contact Resistance: 3 milliohms
- Insertion Loss: .15 dB Maximum
- Mating Cycles: 500 Minimum
- Meets or exceeds the applicable paragraph of MIL-PRF-39012
- Operating Temperature:  $-65^{\circ}\text{C}$  to  $165^{\circ}\text{C}$
- RoHS 3 Compliant