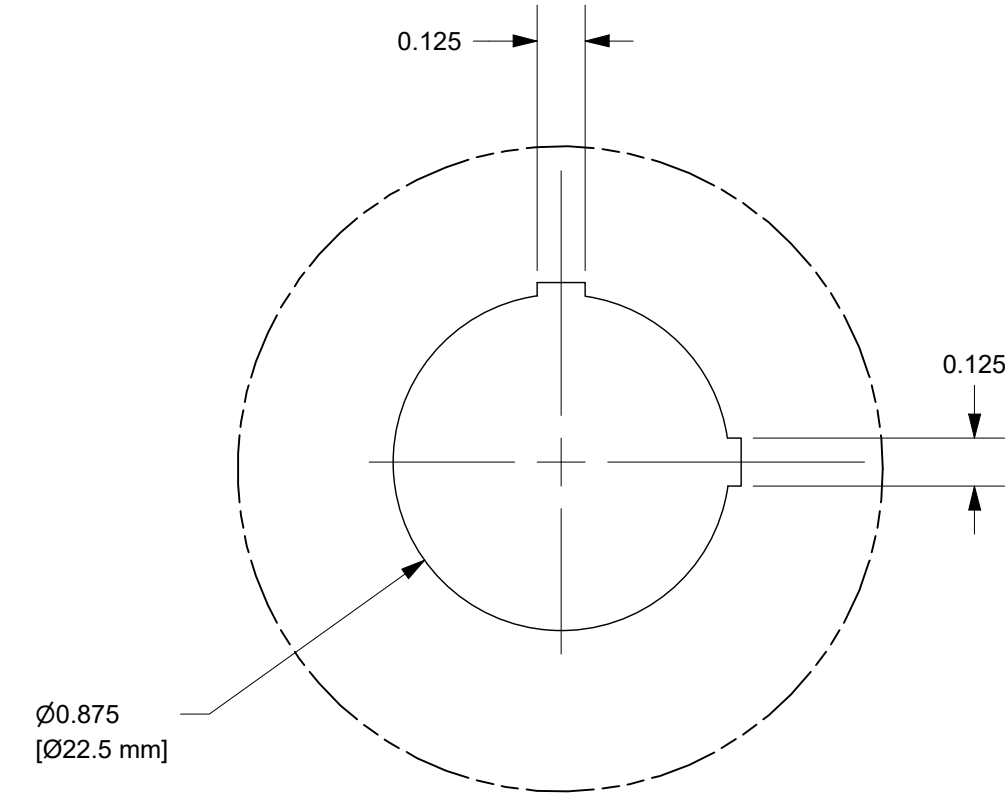
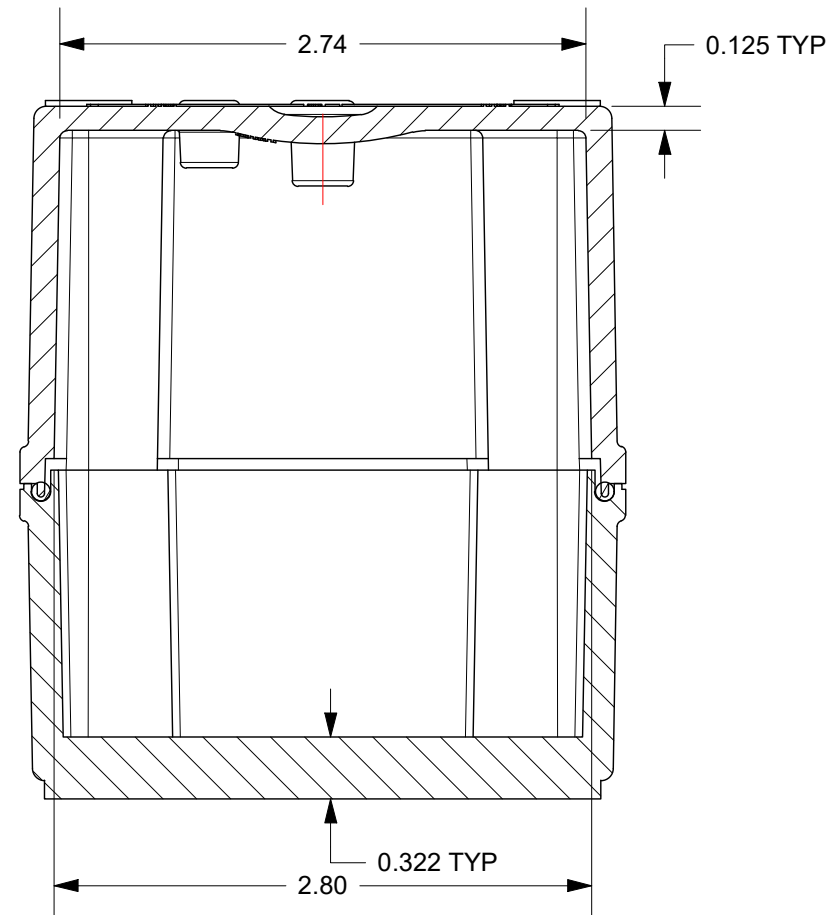


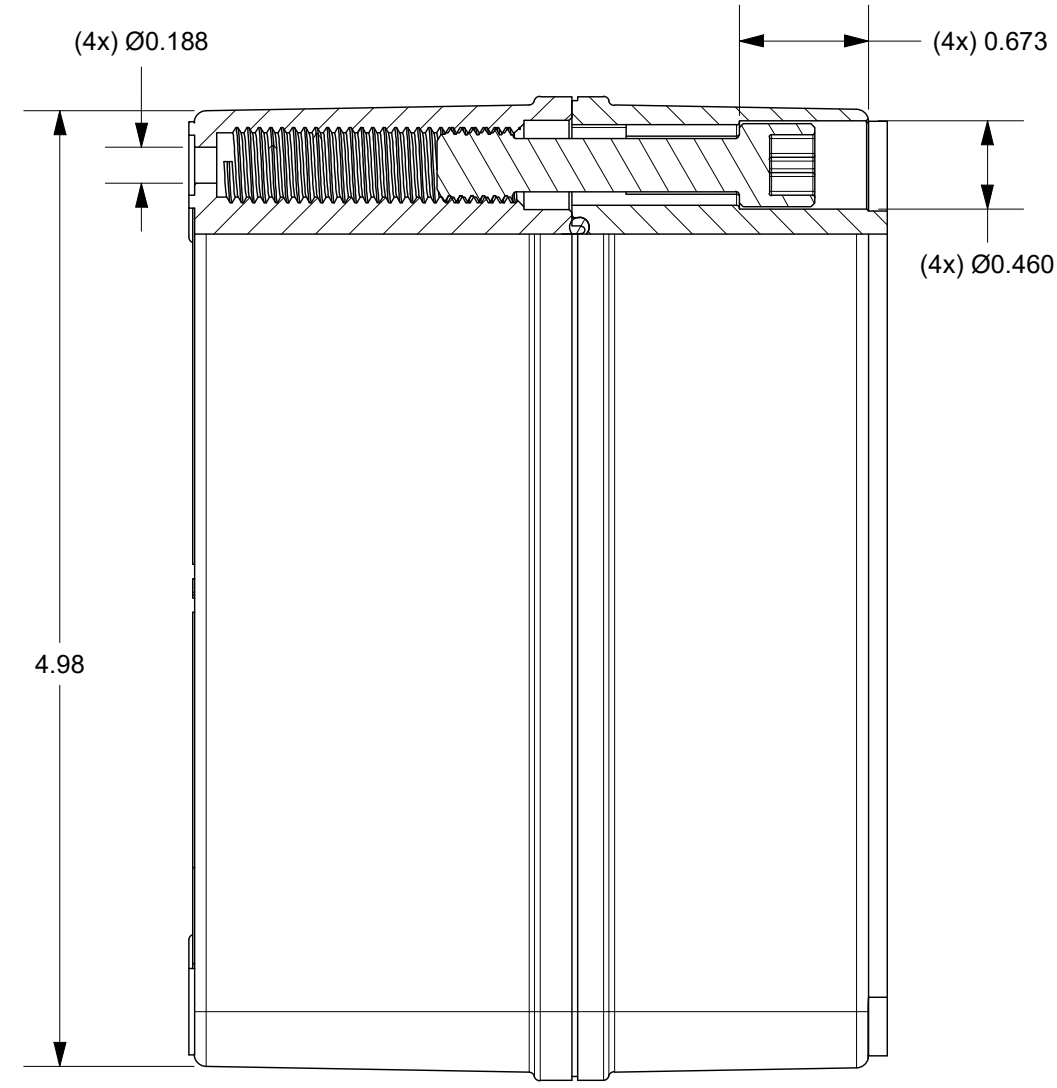
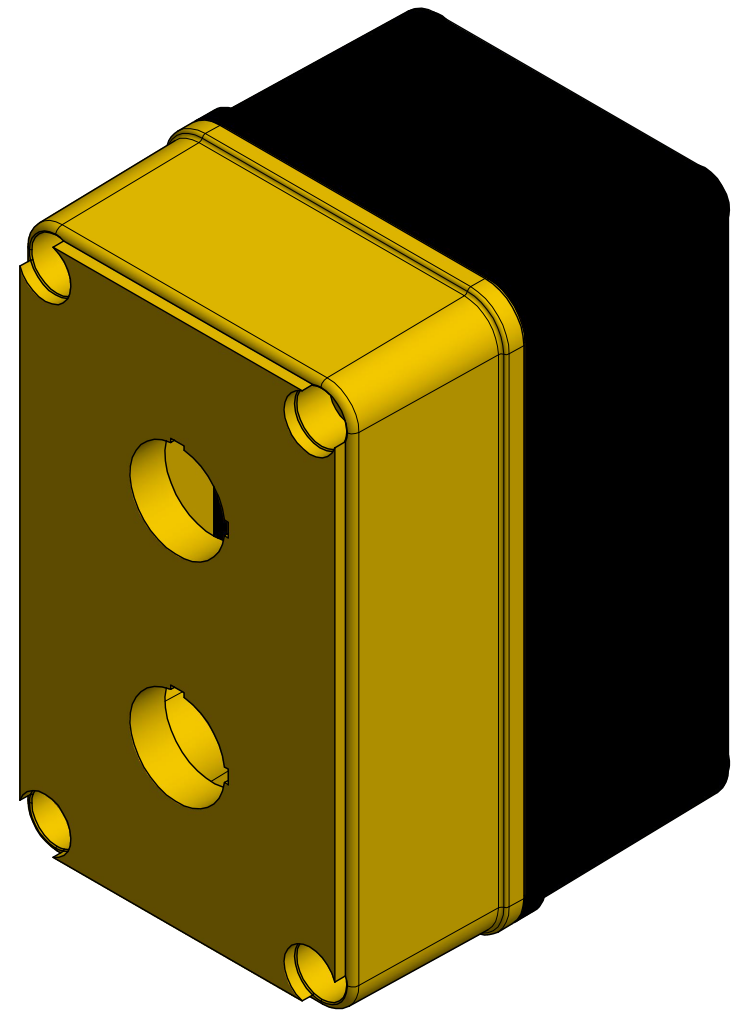
8 7 6 5 4 3 2 1



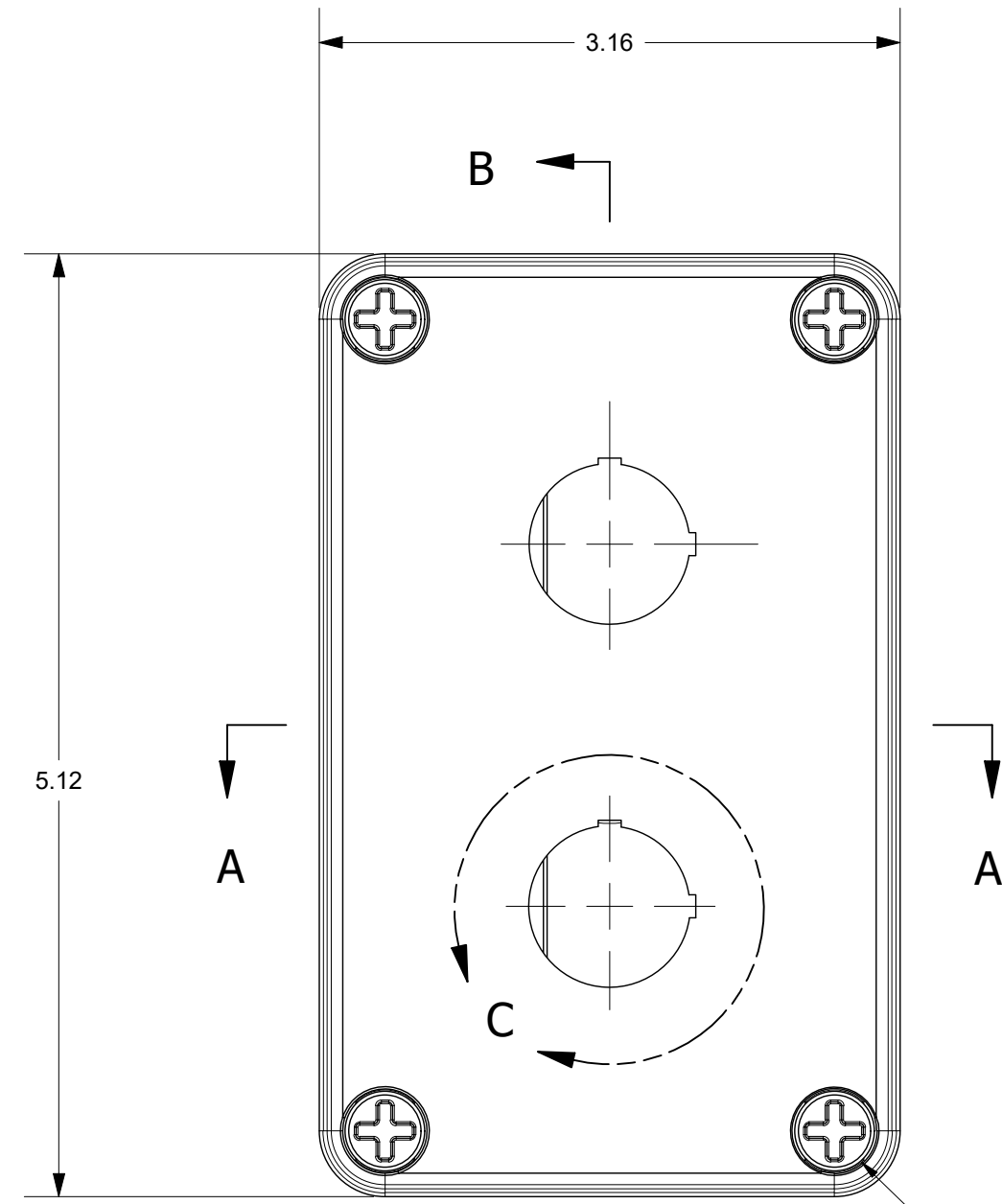
**DETAIL C**  
SOME DETAILS REMOVED FOR CLARITY  
(2X)



**SECTION A-A**

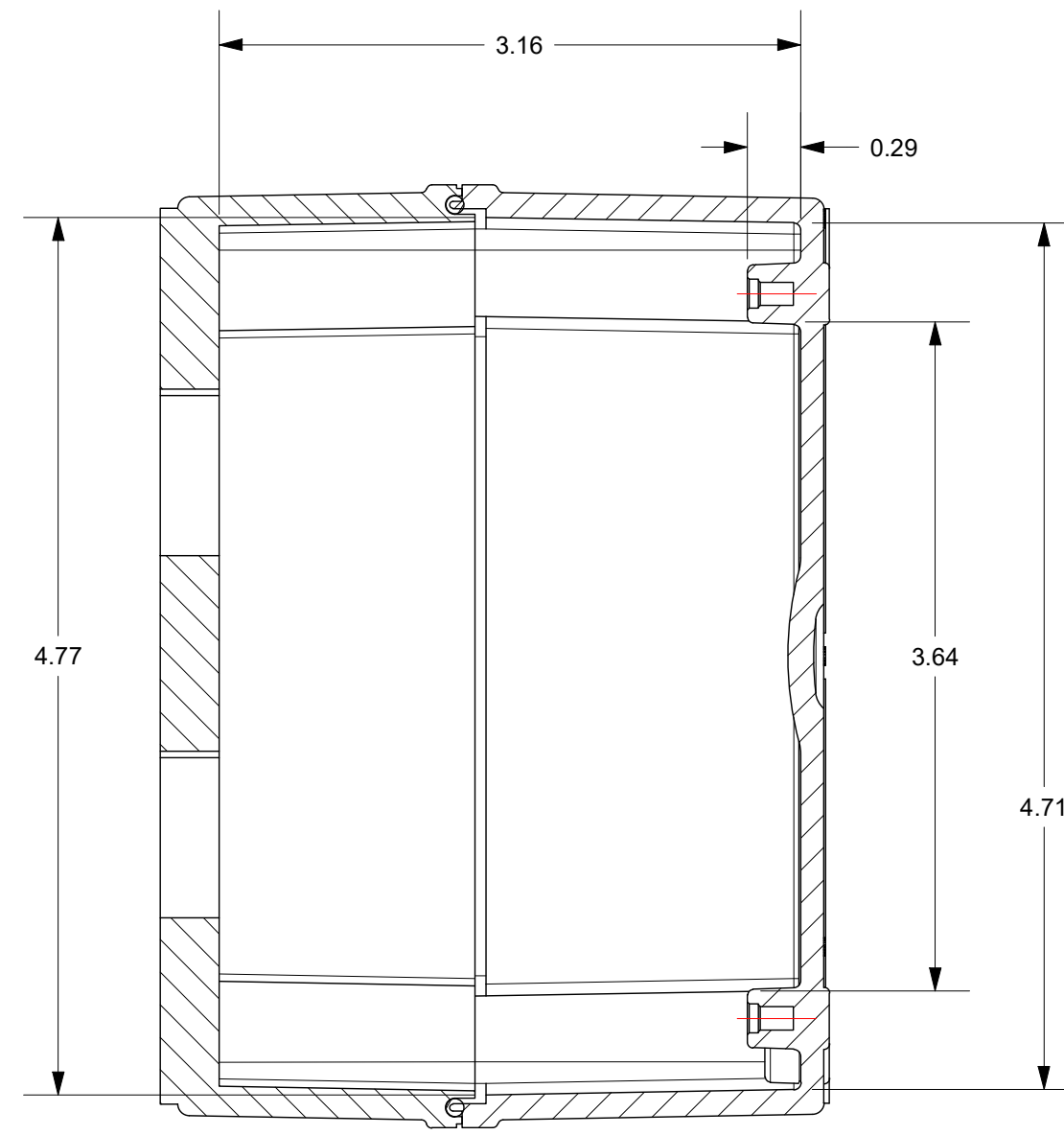


**LEFT VIEW**

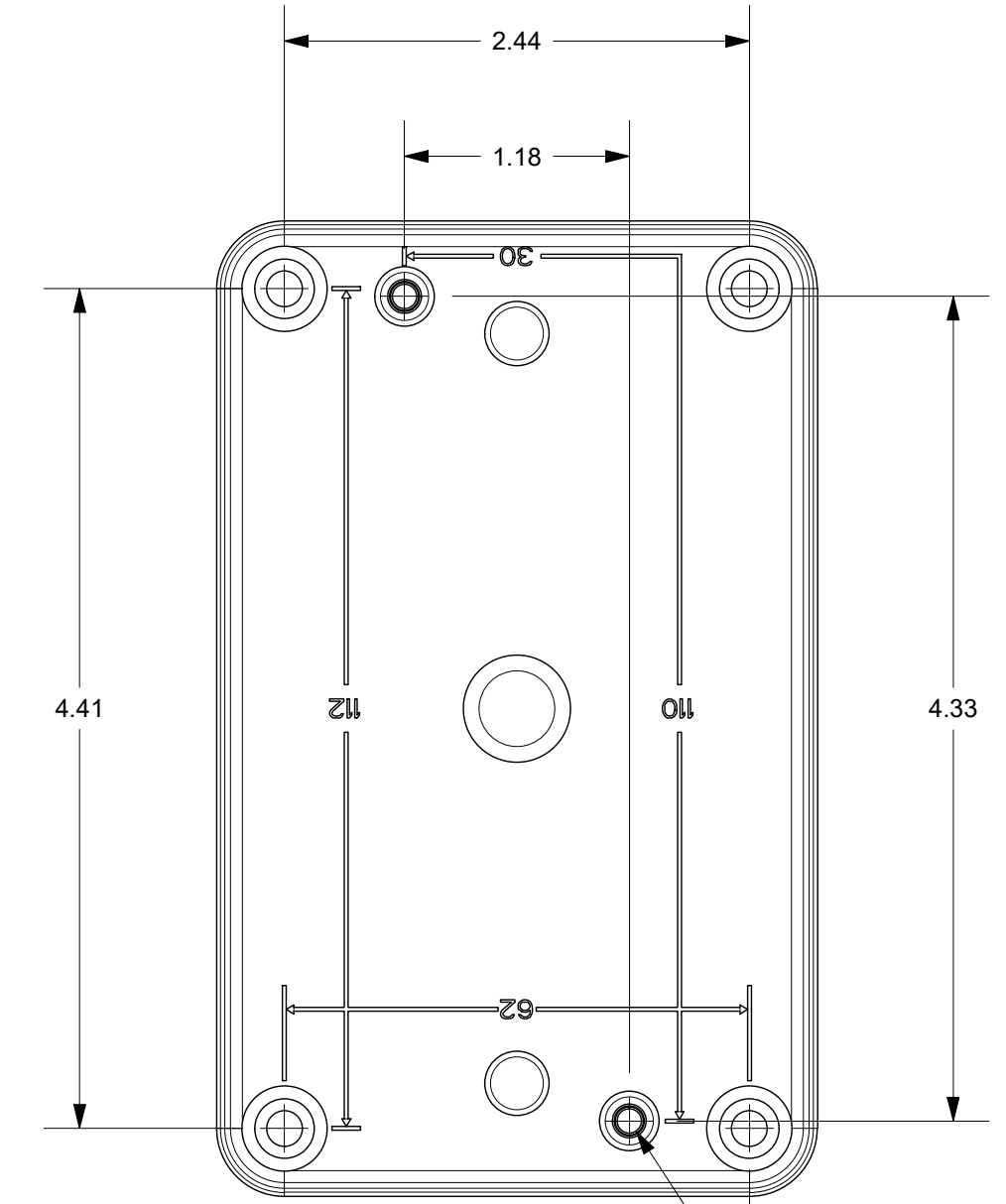


**FRONT VIEW**

COVER SCREW  
CUSTOM POLYCARBONATE  
(4X)

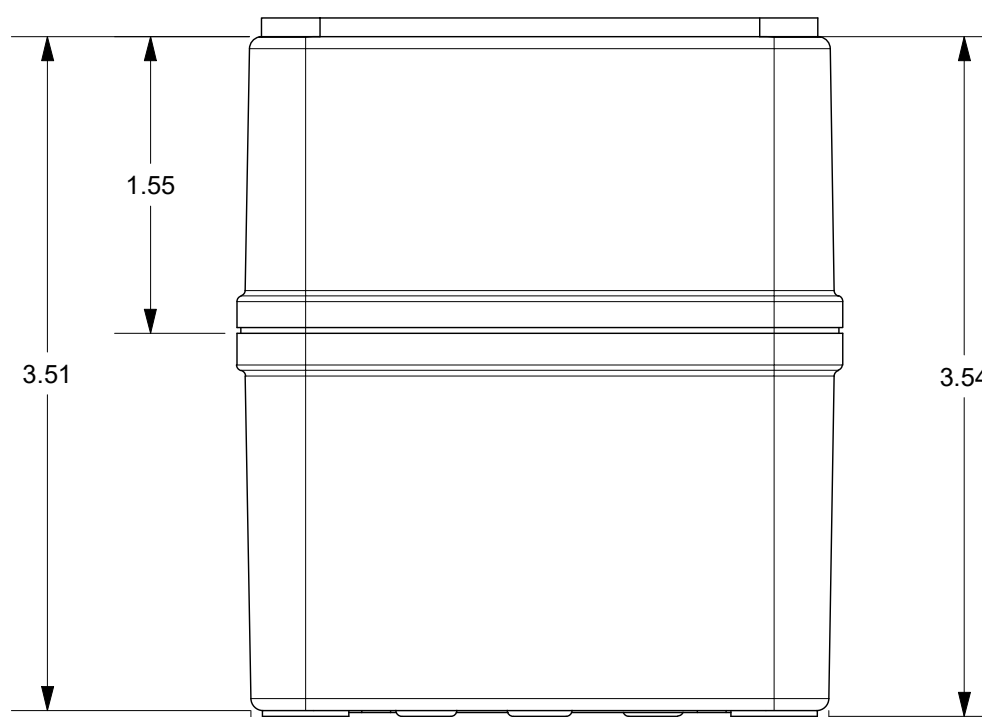


**SECTION B-B**

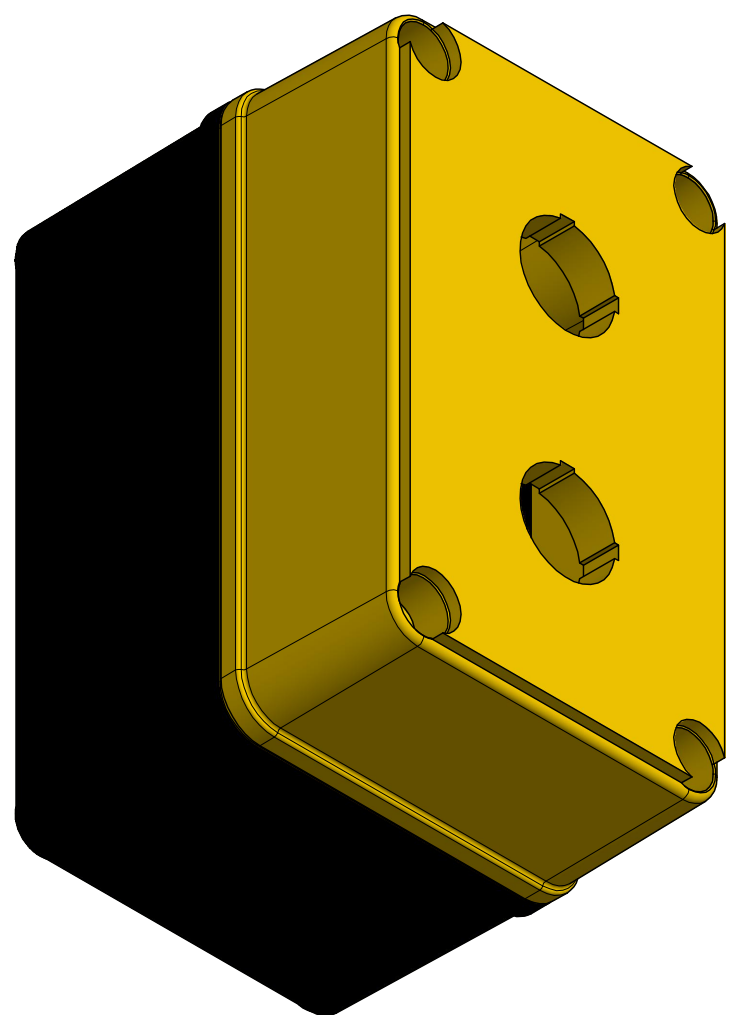


**BACK VIEW**

2X  $\phi$ 0.13



**BOTTOM VIEW**




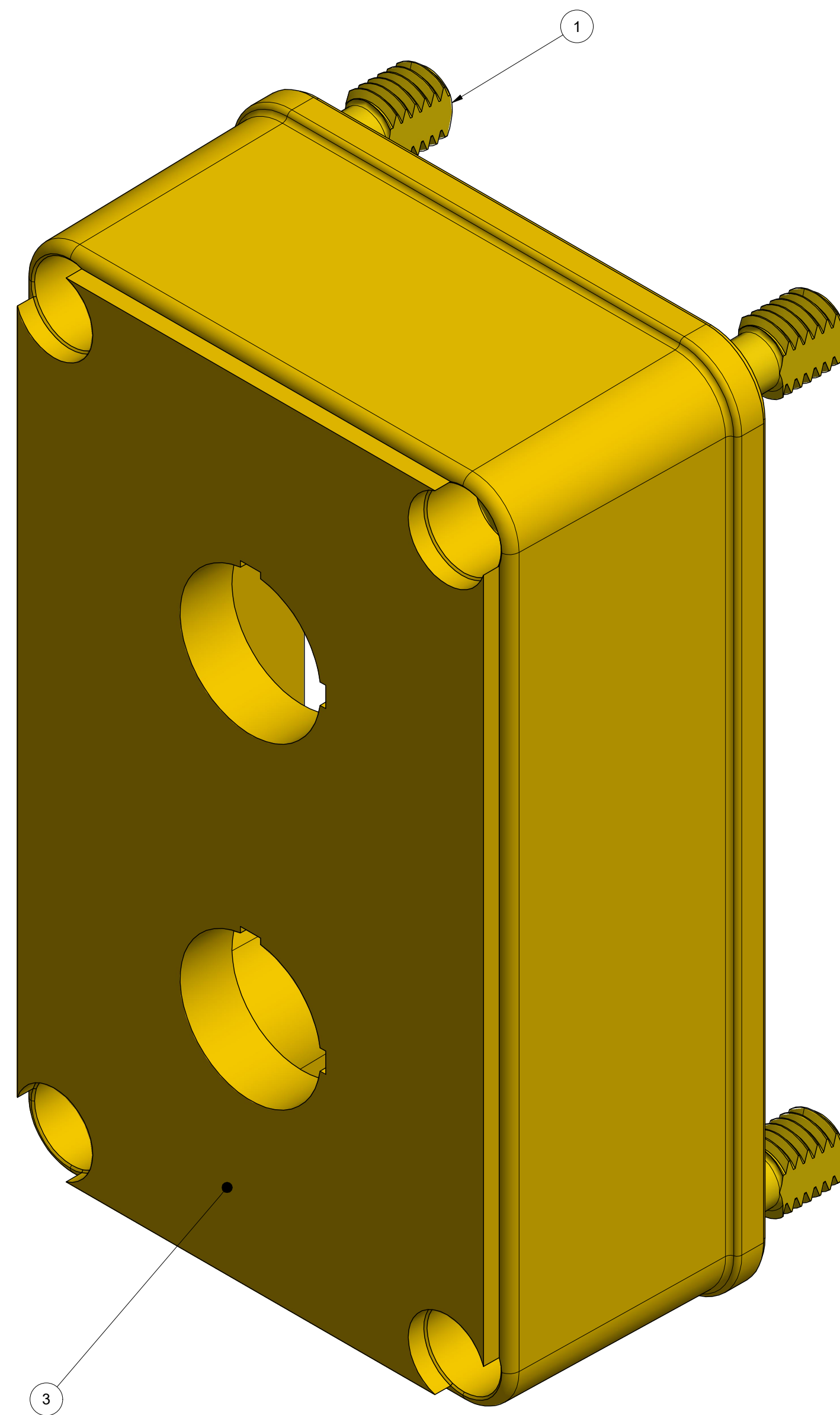
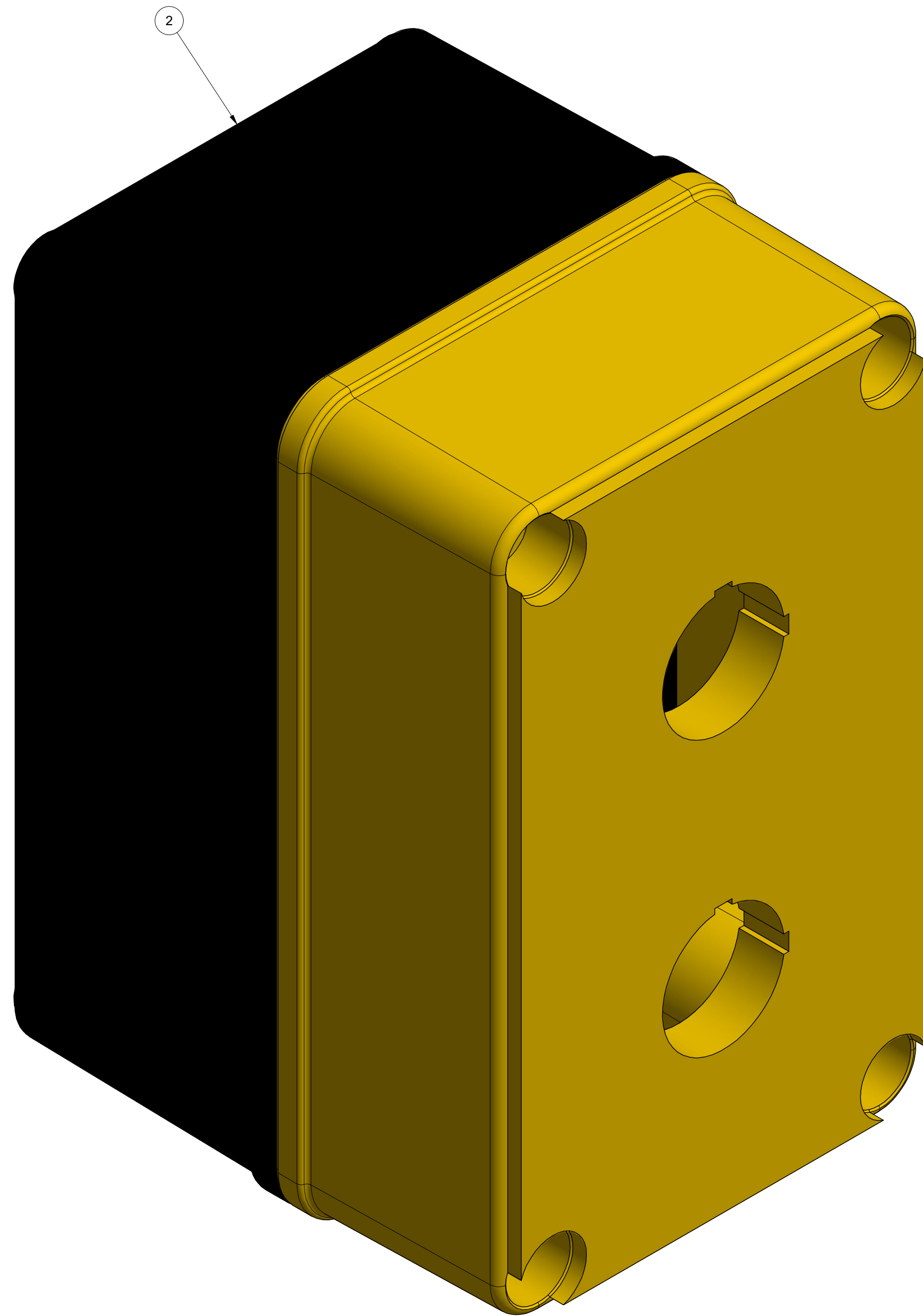
THIS DRAWING IS THE SOLE AND EXCLUSIVE PROPERTY OF ROBROY ENCLOSURES. NO PART OF THIS DRAWING MAY BE REPRODUCED, DISTRIBUTED, OR PUBLICALLY DISPLAYED IN ANY FORM OR BY ANY MEANS WITHOUT THE EXPRESS WRITTEN PERMISSION OF ROBROY ENCLOSURES. ALL RIGHTS RESERVED. UNDER THE COPYRIGHT LAWS. COPYRIGHT © 2021 ROBROY ENCLOSURES

**SPECIAL REQUIREMENTS**

- END USER NOTES:**  
1. TORQUE COVER SCREWS TO 16 IN.-LBS. TO MAINTAIN RATINGS  
2. RECOMMEND #10-24 x 1" - IF MOUNTING BOX THROUGH MOUNTING WELLS

- MOLDING:**  
1. BOX SHALL BE MOLDED IN BLACK  
2. COVER SHALL BE MOLDED IN YELLOW  
3. COVER SCREW (4X) SHALL BE MOLDED IN YELLOW (YWS70009)

NEMA 250: TYPE 1, 3R, 4X, 6P, 12 IEC 60529: IP66, IP68		STANDARD P/N: YW-COPC2PB22	ALL DIMENSIONS ARE IN INCHES UNLESS OTHERWISE SPECIFIED	TOLERANCES UNLESS SPECIFIED	.XX ± 0.03	.XXX ± 0.010																																
COLOR: N/A COLOR STANDARD: BLACK / SAFETY YELLOW (W2029)		CUSTOMER DWG: N/A	 <b>AttaBox</b> A ROBROY ENCLOSURES™ BRAND Robroy Enclosures 500 Maple Street Belding, Michigan 48809 Phone: 616-794-0700 Fax: 616-749-3378																																			
MATERIAL: POLYCARBONATE																																						
<table border="1"> <thead> <tr> <th colspan="4">REVISION HISTORY</th> </tr> <tr> <th>REV</th> <th>DESCRIPTION</th> <th>DATE</th> <th>ENG</th> </tr> </thead> <tbody> <tr><td>-</td><td>-</td><td>-</td><td>-</td></tr> <tr><td>-</td><td>-</td><td>-</td><td>-</td></tr> <tr><td>-</td><td>-</td><td>-</td><td>-</td></tr> <tr><td>-</td><td>-</td><td>-</td><td>-</td></tr> <tr><td>-</td><td>-</td><td>-</td><td>-</td></tr> <tr><td>-</td><td>-</td><td>-</td><td>-</td></tr> </tbody> </table>							REVISION HISTORY				REV	DESCRIPTION	DATE	ENG	-	-	-	-	-	-	-	-	-	-	-	-	-	-	-	-	-	-	-	-	-	-	-	-
REVISION HISTORY																																						
REV	DESCRIPTION	DATE	ENG																																			
-	-	-	-																																			
-	-	-	-																																			
-	-	-	-																																			
-	-	-	-																																			
-	-	-	-																																			
-	-	-	-																																			
DRAWN BY: BH		DATE: 2/16/21	CUSTOMER:	DWG: YW-COPC2PB22																																		
SCALE: DO NOT SCALE		DESCRIPTION: STANDARD ENCLOSURE	PART NUMBER: ATYW-COPC2PB22																																			



BOX DETAIL


ITEM	QTY	PART NUMBER	DESCRIPTION
1	4	WPPCSCKIT-YL	4-PACK POLYCARBONATE MOLDED SCREWS (WPPCPBSCREW)
2	1	WPPC532BOX-BK	5x3x2 POLYCARBONATE BOX - BLACK
3	1	WPPC2PB22U-YL	COPC2PB22 GASKETED COVER - YELLOW
4	1	RMLABLANK3X2	PRODUCT LABEL

THIS DRAWING IS THE SOLE AND EXCLUSIVE PROPERTY OF ROBROY ENCLOSURES. NO PART OF THIS DRAWING MAY BE REPRODUCED, DISTRIBUTED, OR PUBLICALLY DISPLAYED IN ANY FORM OR BY ANY MEANS WITHOUT THE EXPRESS WRITTEN PERMISSION OF ROBROY ENCLOSURES. ALL RIGHTS RESERVED. UNDER THE COPYRIGHT LAWS. COPYRIGHT © 2021 ROBROY ENCLOSURES.

**SPECIAL REQUIREMENTS**

**END USER NOTES:**  
 1. TORQUE COVER SCREWS TO 16 IN.-LBS. TO MAINTAIN RATINGS  
 2. RECOMMEND #10-24 x 1" - IF MOUNTING BOX THROUGH MOUNTING WELLS

**MOLDING:**  
 1. BOX SHALL BE MOLDED IN BLACK  
 2. COVER SHALL BE MOLDED IN YELLOW  
 3. COVER SCREW (4X) SHALL BE MOLDED IN YELLOW (YWS70009)

NEMA 250: TYPE 1, 3R, 4X, 6P, 12 IEC 60529: IP66, IP68 COLOR: N/A COLOR STANDARD: BLACK / SAFETY YELLOW (W2029)	STANDARD P/N: YW-COPC2PB22 CUSTOMER DWG: N/A	ALL DIMENSIONS ARE IN INCHES UNLESS OTHERWISE SPECIFIED	TOLERANCES UNLESS SPECIFIED .XX ± 0.03 .XXX ± 0.010		
MATERIAL: POLYCARBONATE		 <b>Robroy Enclosures</b> 500 Maple Street Belding, Michigan 48809 Phone: 616-794-0700 Fax: 616-749-3378			
DRAWN BY: BH	DATE: 2/16/21			CUSTOMER:	DWG: YW-COPC2PB22
SCALE: DO NOT SCALE	DESCRIPTION: STANDARD ENCLOSURE			PART NUMBER: ATYW-COPC2PB22	