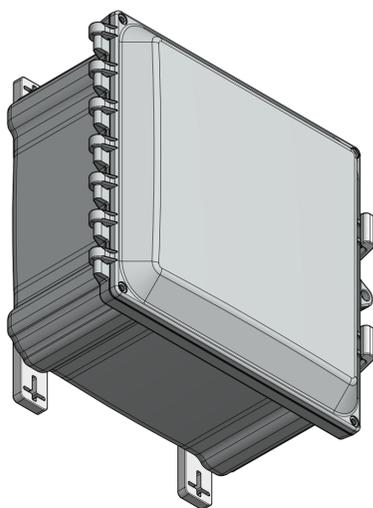
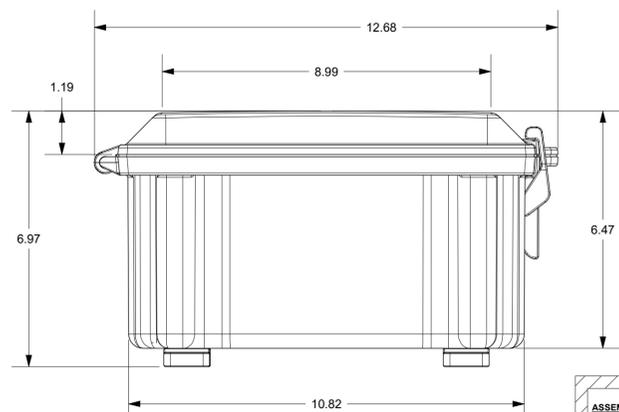
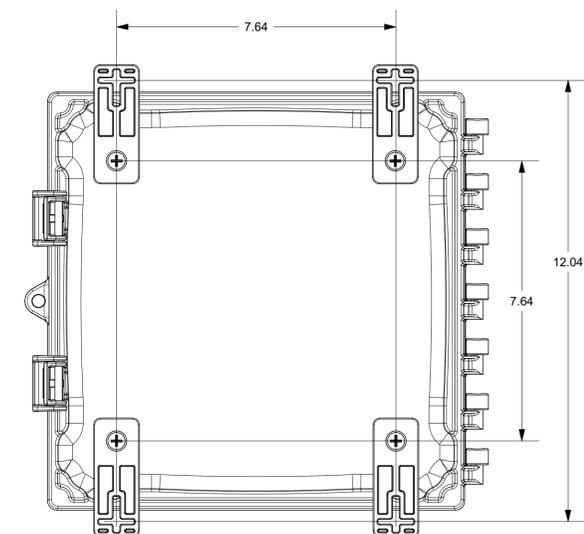
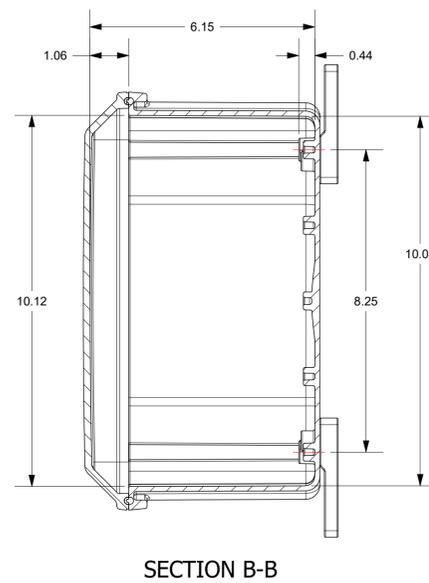
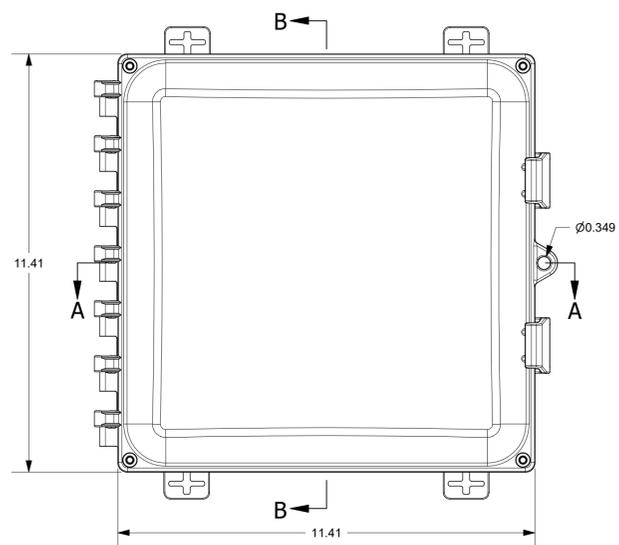
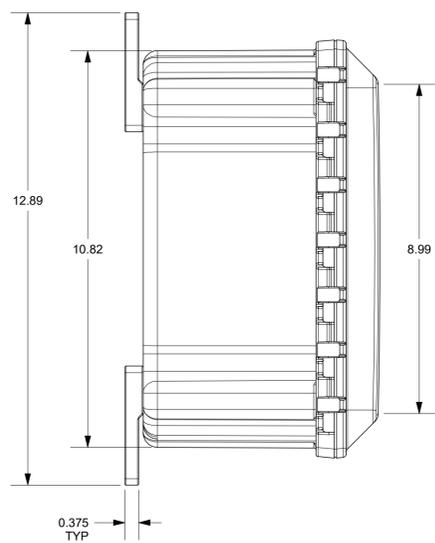


FOR REFERENCE ONLY
MOUNTING FEET SHOWN AS INSTALLED



THIS DRAWING IS THE SOLE AND EXCLUSIVE PROPERTY OF ROBROY ENCLOSURES. NO PART OF THIS DRAWING MAY BE REPRODUCED, DISTRIBUTED, OR PUBLICALLY DISPLAYED IN ANY FORM OR BY ANY MEANS WITHOUT THE EXPRESS WRITTEN PERMISSION OF ROBROY ENCLOSURES. ALL RIGHTS RESERVED. UNDER THE COPYRIGHT LAWS. COPYRIGHT © 2017 ROBROY ENCLOSURES

- SPECIAL REQUIREMENTS**
- ASSEMBLY:
- (1) POLYCARBONATE ACCESSORY KIT (WPPCACCKIT) SHALL BE PACKAGED LOOSELY INSIDE ENCLOSURE
 - (1) STYROFOAM SHEET SHALL BE PLACED ON TOP OF COVER INSIDE CARTON
- HARDWARE INCLUDED:
- (4) 1/4-20 x 1/2 FLAT HEAD PHILLIPS MACHINE SCREW (RMSC1/4-20X.5FLPH)
 - (4) #10-32 x 5/8 PAN HEAD PHILLIPS MACHINE SCREW (RMSC10/32X5/8SS)
 - (4) #10-32 x 3/8 PAN HEAD SCREW (RMSC10/32X3/8ZN)
 - (4) #10 WASHER (RMMWAS10ZN)

NEMA 250: TYPE 1, 3R, 4, 4X, 12 IEC 60529: IP66		STANDARD P/N: AH10106	ALL DIMENSIONS ARE IN INCHES UNLESS OTHERWISE SPECIFIED		TOLERANCES UNLESS SPECIFIED	.XX ± 0.03	.XXX ± 0.010																																				
COLOR: N/A COLOR STANDARD: PANTONE 7541 C		CUSTOMER DWG:	 AttaBox A ROBROY ENCLOSURES™ BRAND					Robroy Enclosures 500 Maple Street Belding, Michigan 48809 Phone: 616-794-0700 Fax: 616-749-3378																																			
MATERIAL: POLYCARBONATE																																											
<table border="1"> <thead> <tr> <th colspan="4">REVISION HISTORY</th> </tr> <tr> <th>REV</th> <th>DESCRIPTION</th> <th>DATE</th> <th>ENG</th> </tr> </thead> <tbody> <tr><td>-</td><td>-</td><td>-</td><td>-</td></tr> <tr><td>-</td><td>-</td><td>-</td><td>-</td></tr> <tr><td>-</td><td>-</td><td>-</td><td>-</td></tr> <tr><td>-</td><td>-</td><td>-</td><td>-</td></tr> <tr><td>-</td><td>-</td><td>-</td><td>-</td></tr> <tr><td>-</td><td>-</td><td>-</td><td>-</td></tr> <tr><td>-</td><td>-</td><td>-</td><td>-</td></tr> </tbody> </table>								REVISION HISTORY				REV	DESCRIPTION	DATE	ENG	-	-	-	-	-	-	-	-	-	-	-	-	-	-	-	-	-	-	-	-	-	-	-	-	-	-	-	-
REVISION HISTORY																																											
REV	DESCRIPTION	DATE	ENG																																								
-	-	-	-																																								
-	-	-	-																																								
-	-	-	-																																								
-	-	-	-																																								
-	-	-	-																																								
-	-	-	-																																								
-	-	-	-																																								
DRAWN BY: DRH		DATE: 06/08/17	CUSTOMER:		DWG: AH10106																																						
SCALE: DO NOT SCALE		DESCRIPTION: STANDARD ENCLOSURE		PART NUMBER: ATAH10106																																							