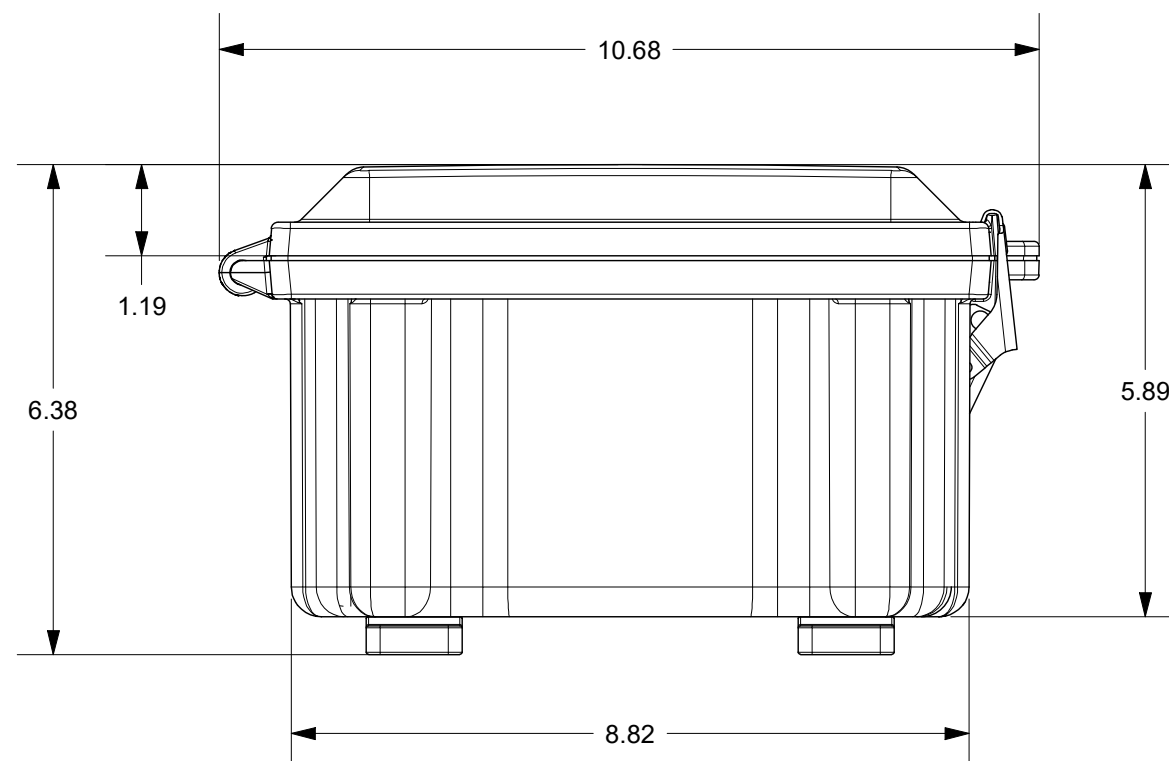
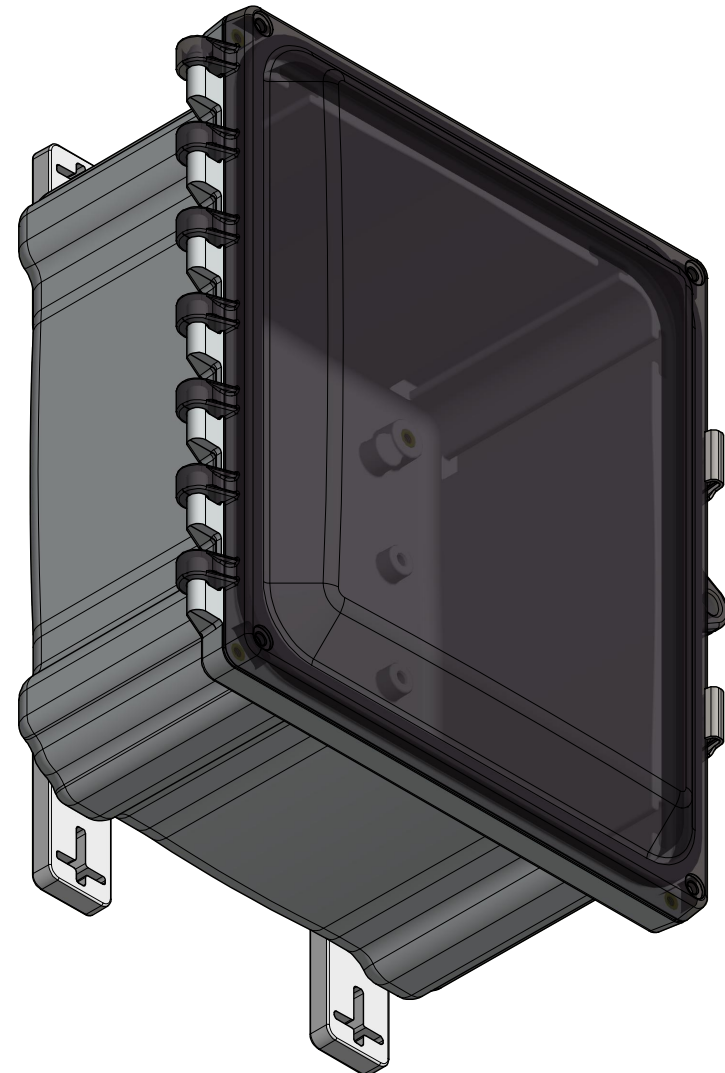
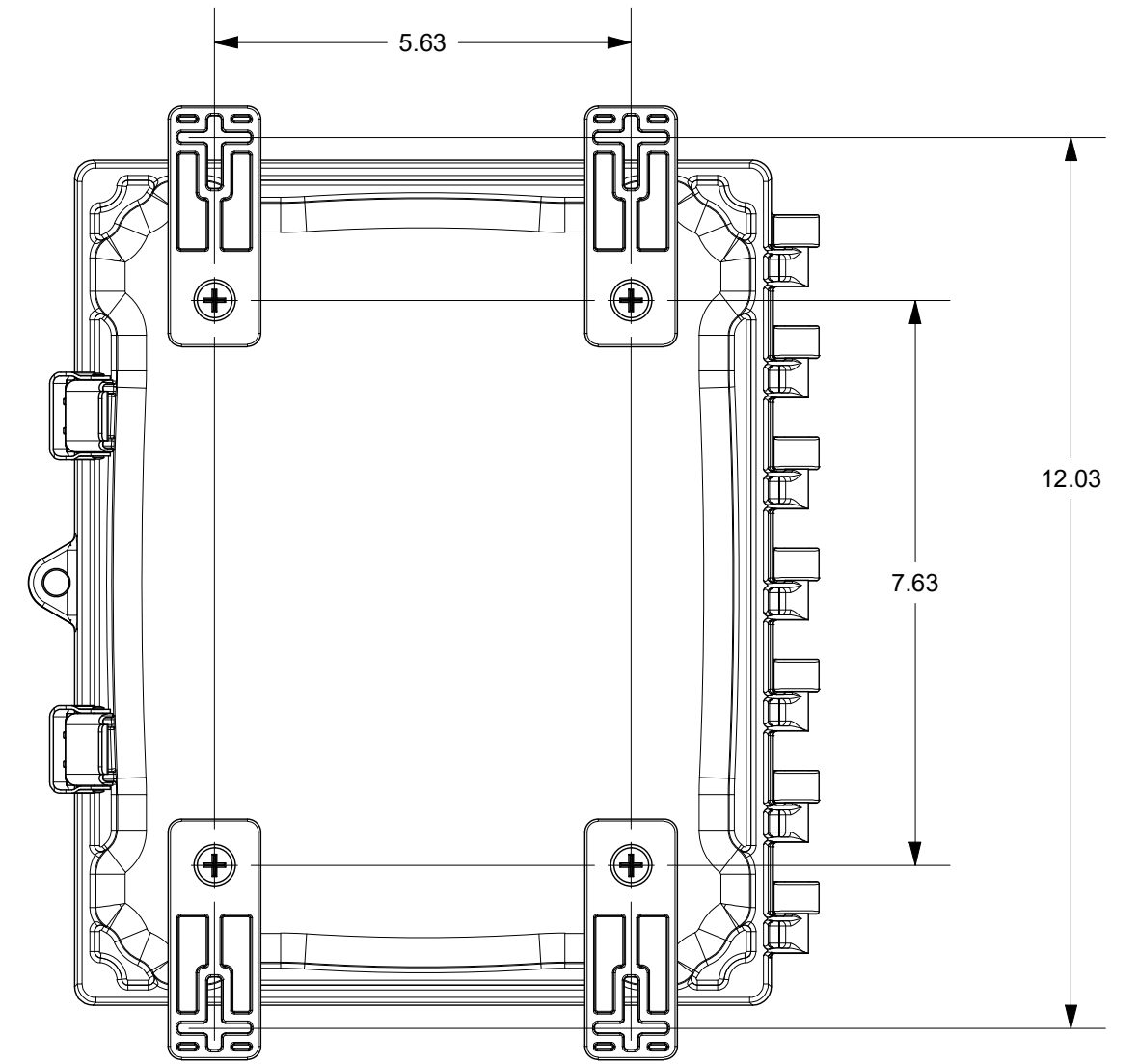
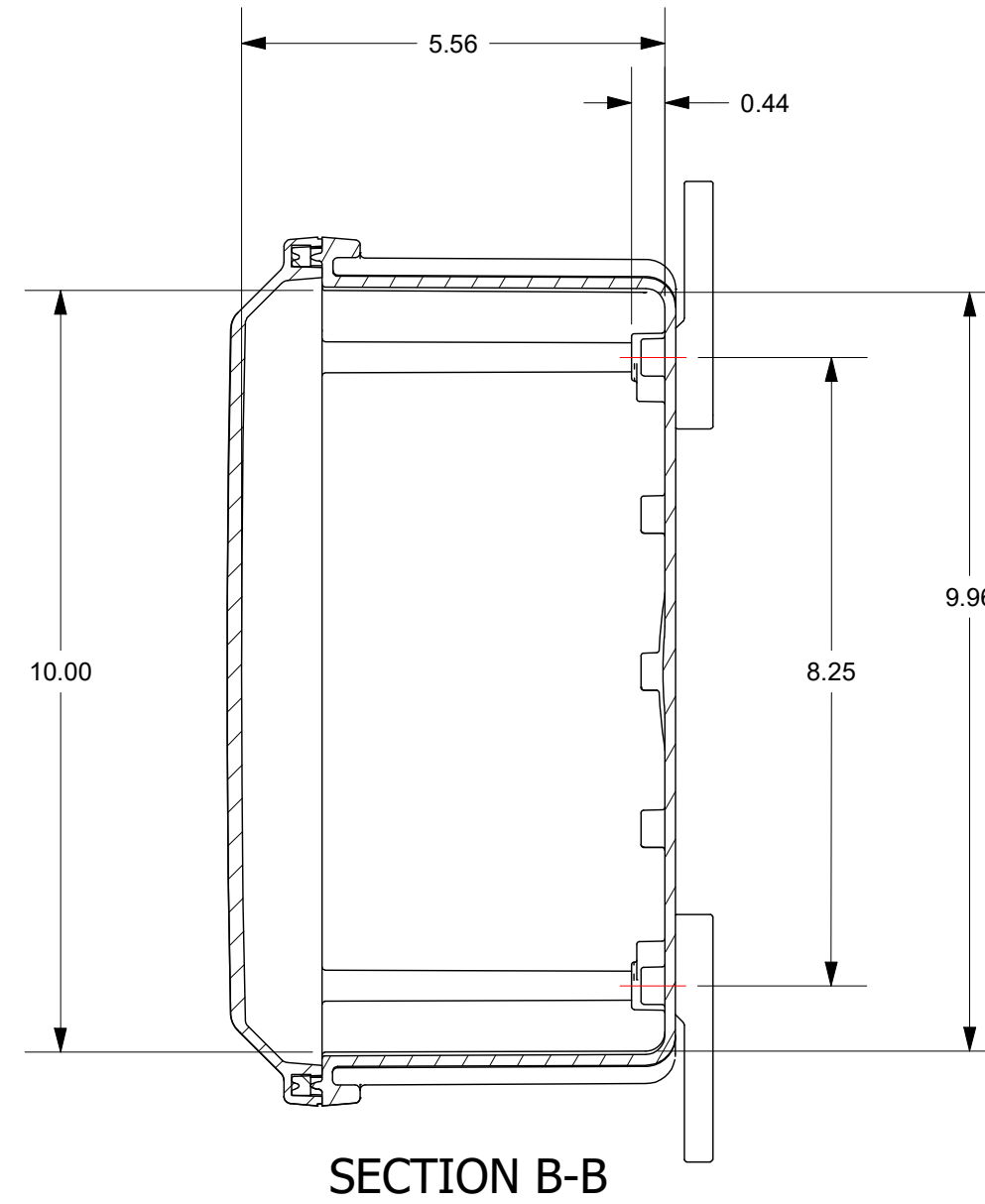
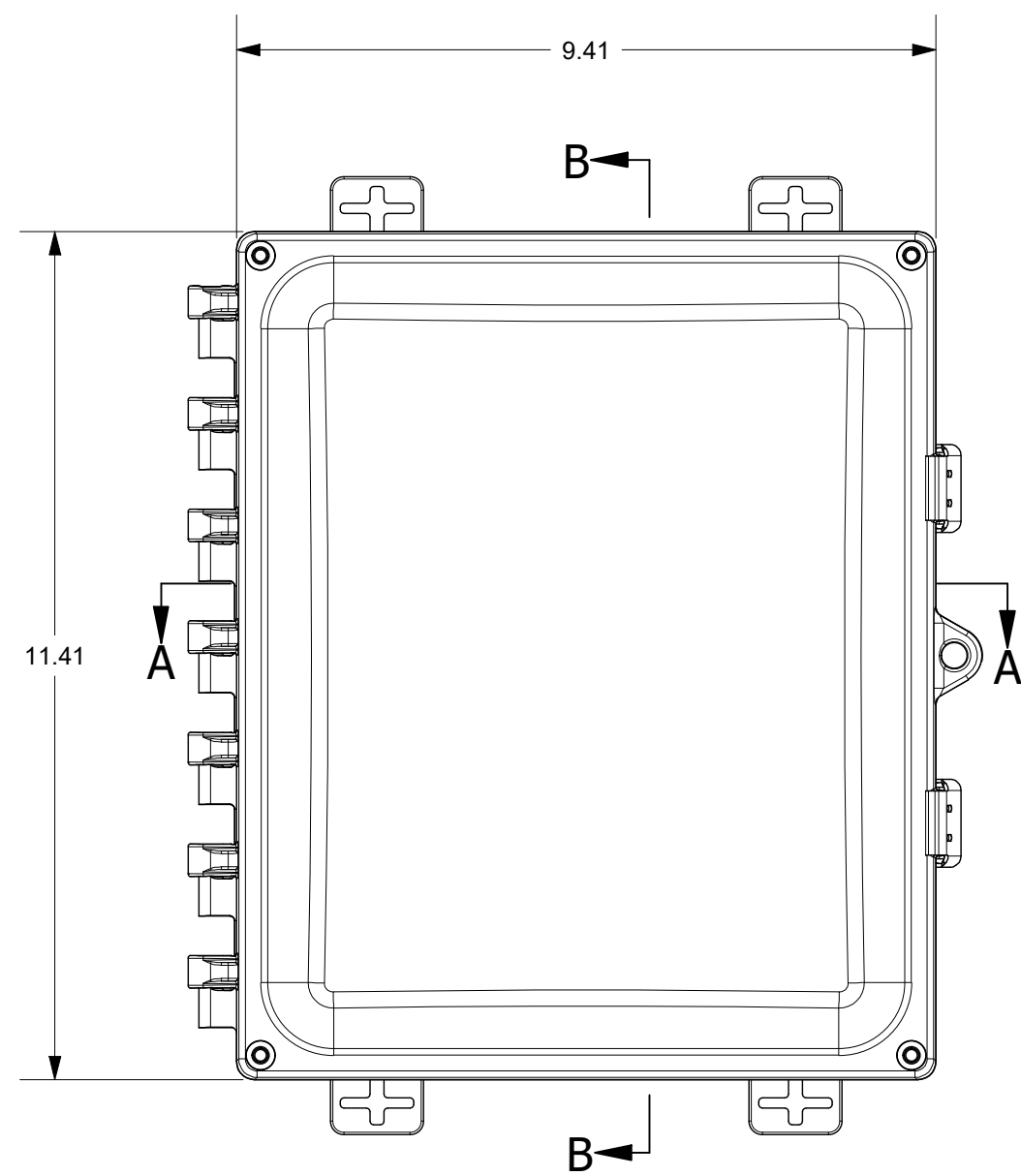
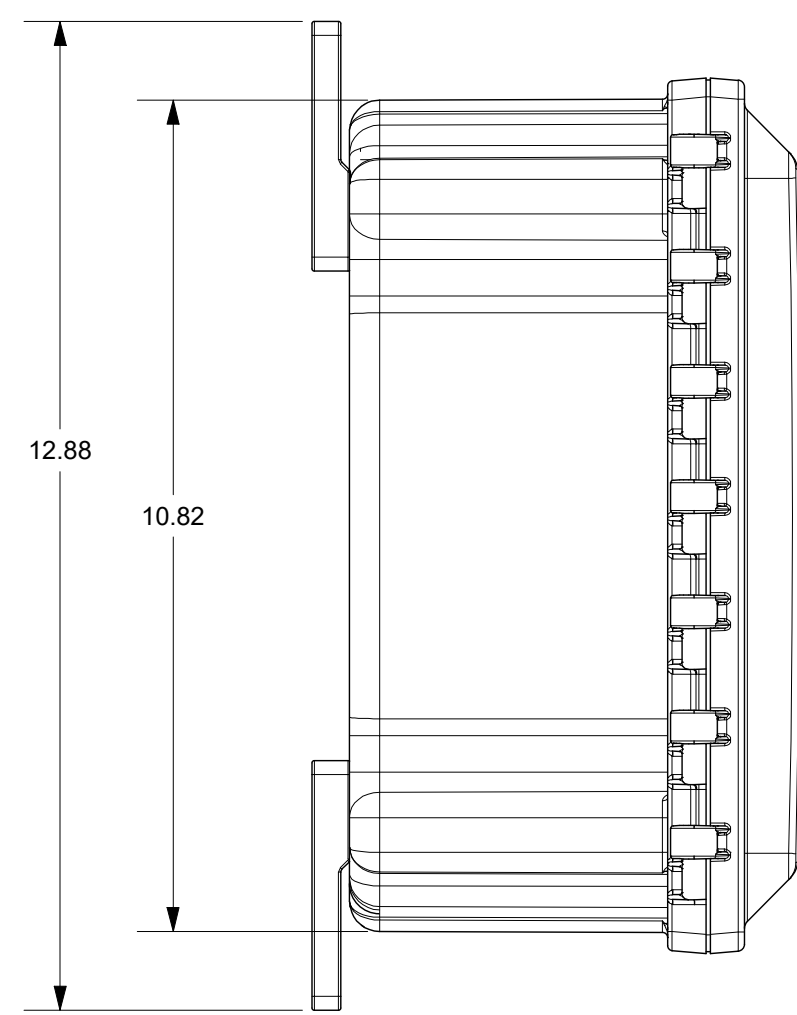


FOR REFERENCE ONLY
MOUNTING FEET SHOWN AS INSTALLED



THIS DRAWING IS THE SOLE AND EXCLUSIVE PROPERTY OF ROBROY ENCLOSURES. NO PART OF THIS DRAWING MAY BE REPRODUCED, DISTRIBUTED, OR PUBLICALLY DISPLAYED IN ANY FORM OR BY ANY MEANS WITHOUT THE EXPRESS WRITTEN PERMISSION OF ROBROY ENCLOSURES. ALL RIGHTS RESERVED. UNDER THE COPYRIGHT LAWS. COPYRIGHT © 2016 ROBROY ENCLOSURES.

SPECIAL REQUIREMENTS
ASSEMBLY:
 1 (1) ACCESSORY KIT (WPPCACKIT) SHALL BE PACKAGED LOOSELY INSIDE ENCLOSURE
HARDWARE INCLUDED:
 - (4) #14-20 x 1/2 FLAT HEAD PHILLIPS MACHINE SCREW (RMSC114-20X.5FLPH)
 - (4) #10-32 x 5/8 PAN HEAD PHILLIPS MACHINE SCREW (RMSC10/32X5/8SS)
 - (4) #10-32 x 3/8 PAN HEAD SCREW (RMSC10/32X3/8ZN)
 - (4) #10 WASHER (RMWAS10ZN)
 2 (1) STYROFOAM SHEET SHALL BE PLACED ON TOP OF COVER INSIDE CARTON

NEMA 250: TYPE 1, 3R, 4, 4X, 12
 IEC 60529: IP66
 COLOR: N/A
 COLOR STANDARD: PANTONE 7541 C

STANDARD P/N: AH1084C
 CUSTOMER DWG:

ALL DIMENSIONS ARE IN INCHES UNLESS OTHERWISE SPECIFIED

TOLERANCES UNLESS SPECIFIED .XX ± 0.03 .XXX ± 0.010

REVISION HISTORY			
REV	DESCRIPTION	DATE	ENG
-	-	-	-
-	-	-	-
-	-	-	-
-	-	-	-
-	-	-	-
-	-	-	-

DRAWN BY: AJC		DATE: 10/22/16	CUSTOMER	DWG: AH1084C
SCALE: DO NOT SCALE	DESCRIPTION: STANDARD ENCLOSURE	PART NUMBER: ATAH1084C		

