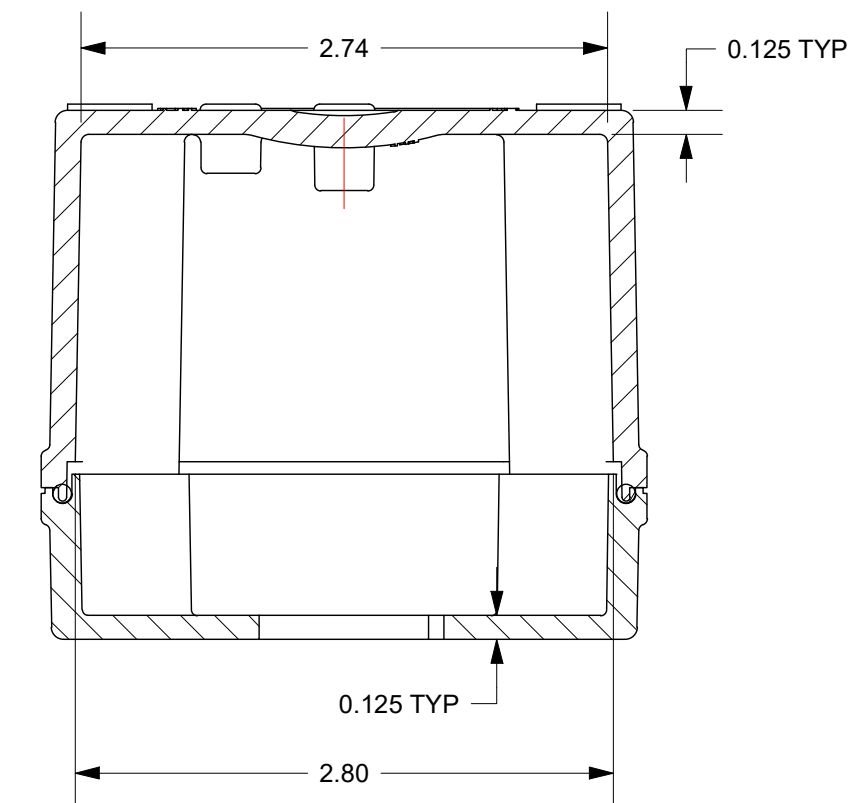
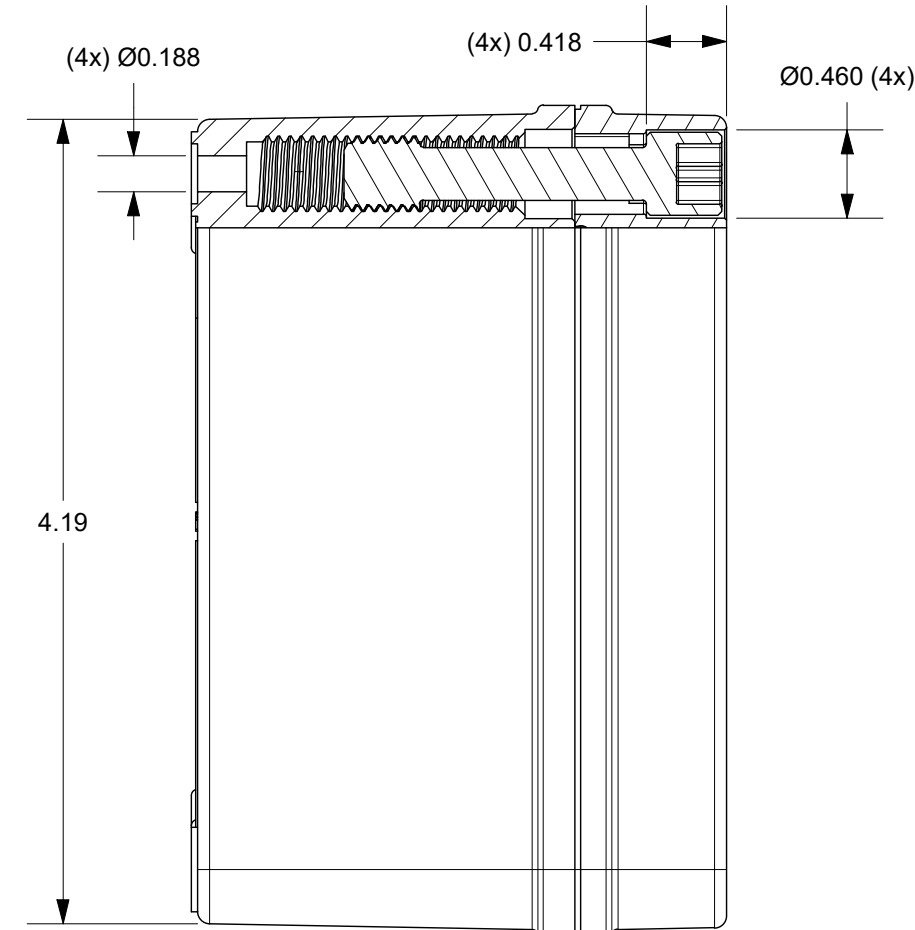
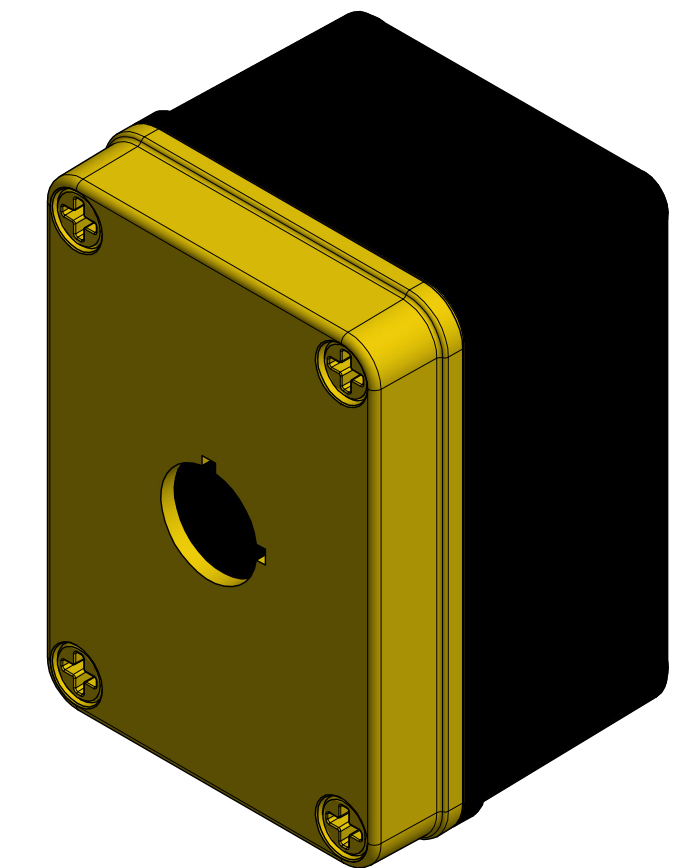


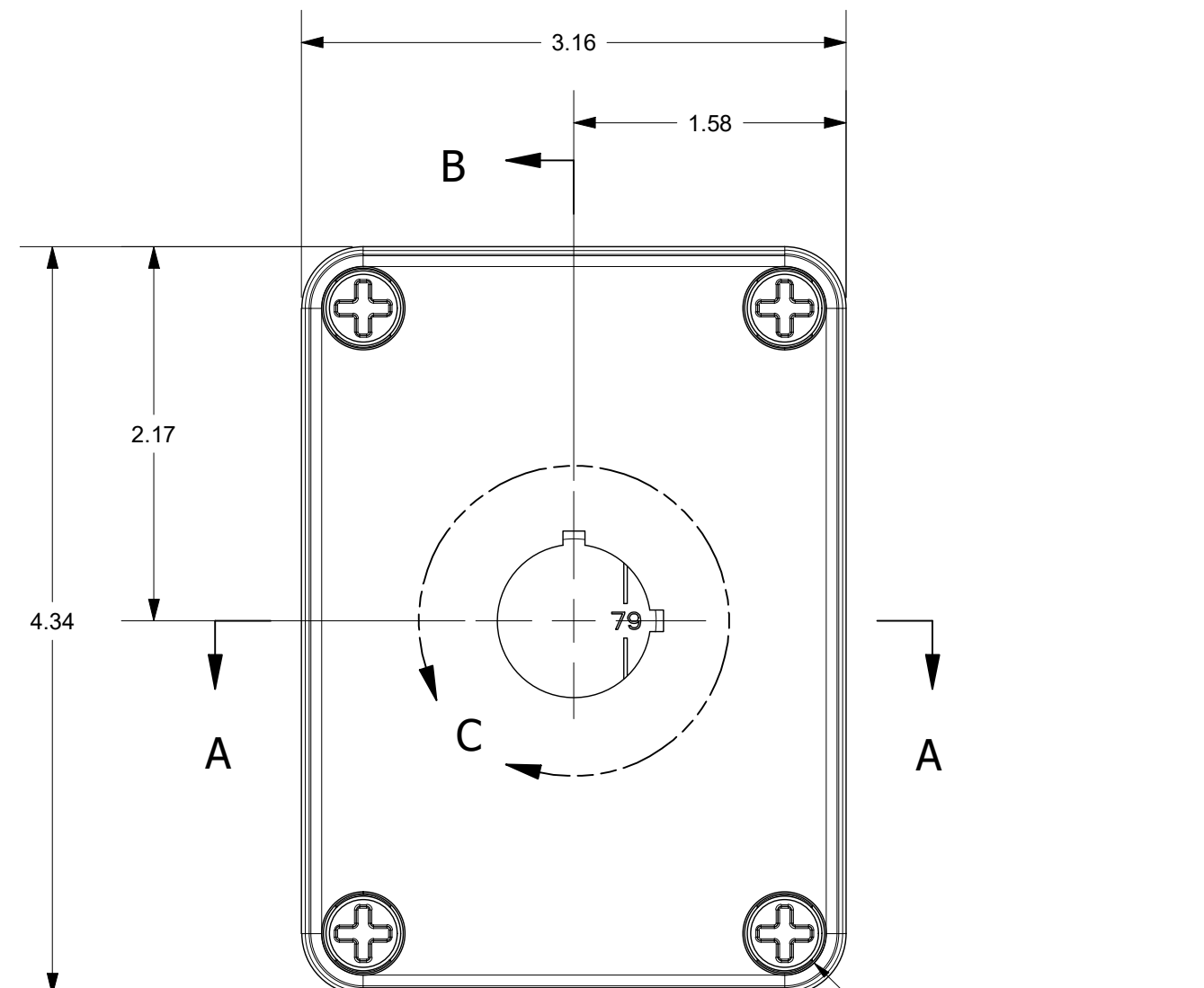
DETAIL C
SOME DETAILS REMOVED FOR CLARITY



SECTION A-A

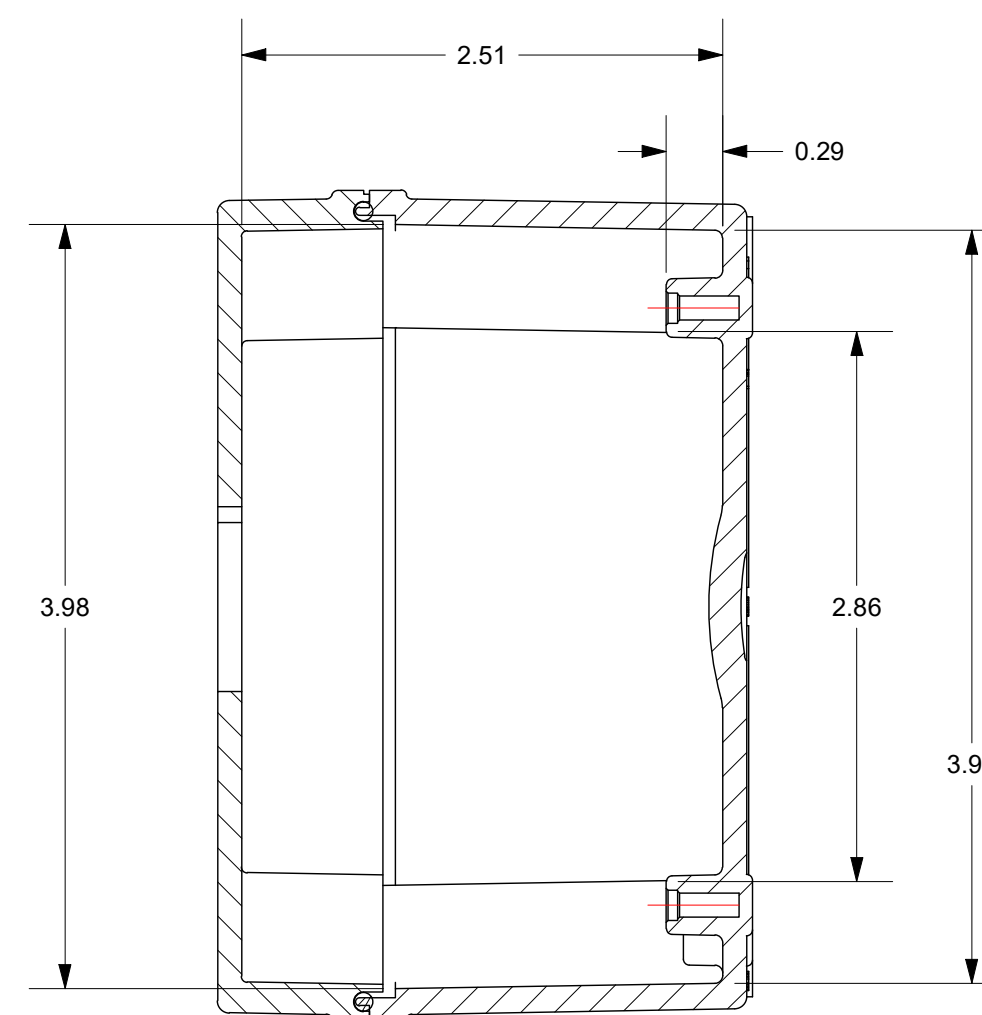


LEFT VIEW

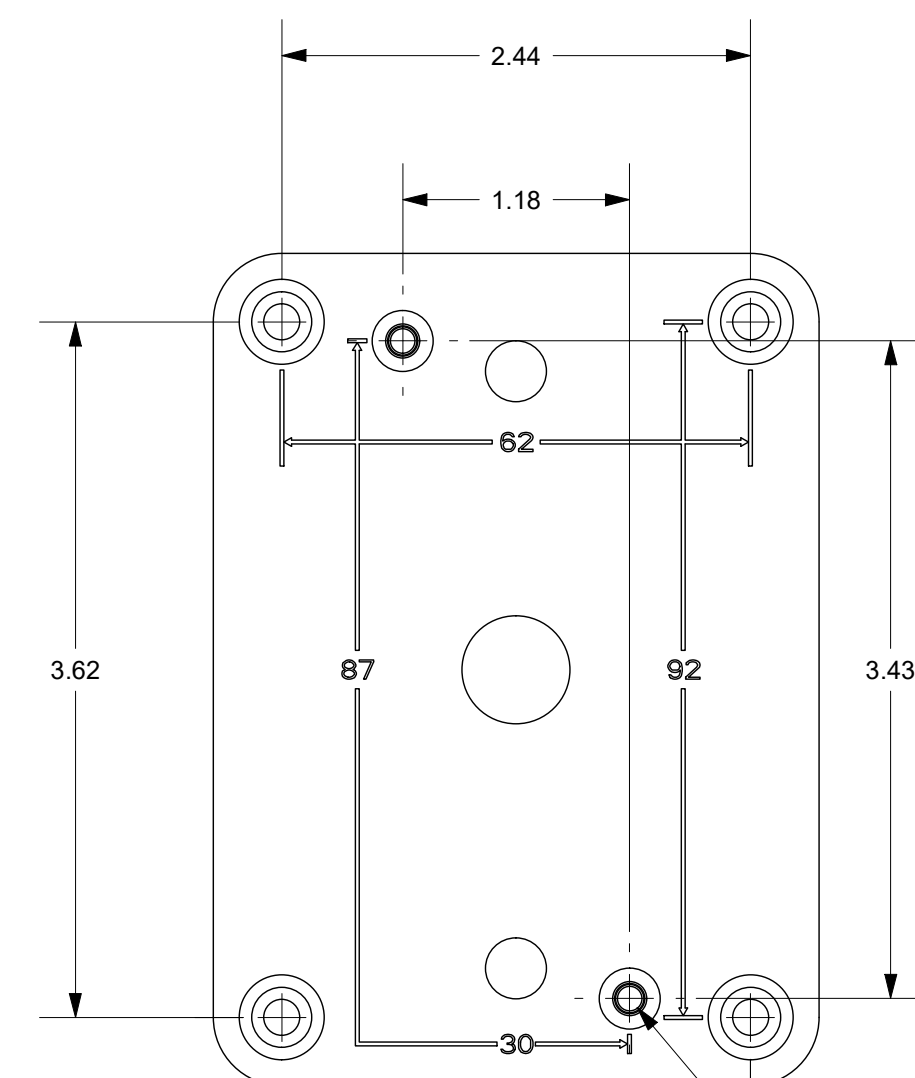


FRONT VIEW

COVER SCREW
CUSTOM POLYCARBONATE
(4X)

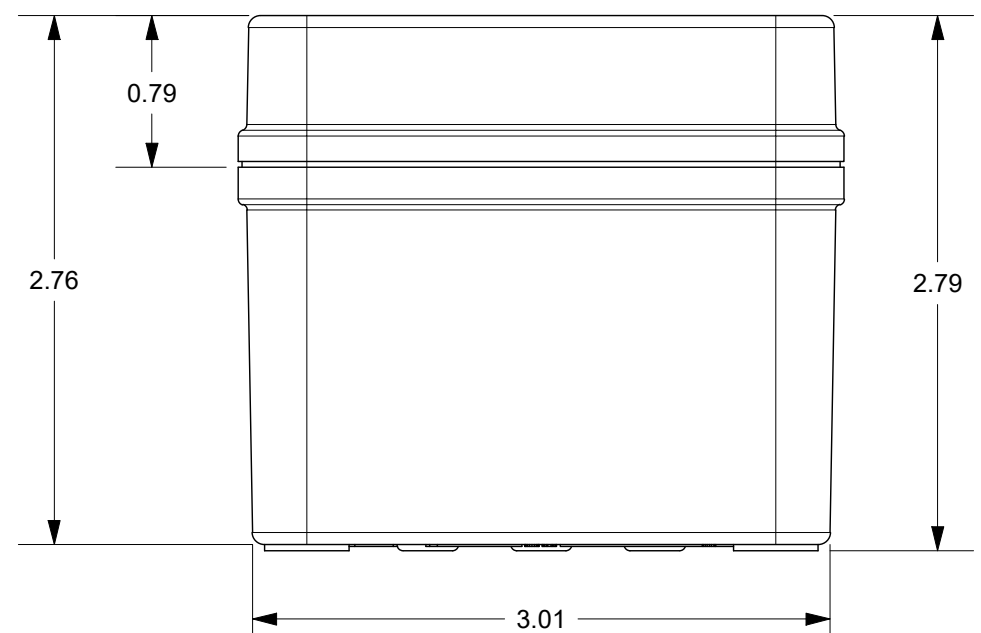


SECTION B-B

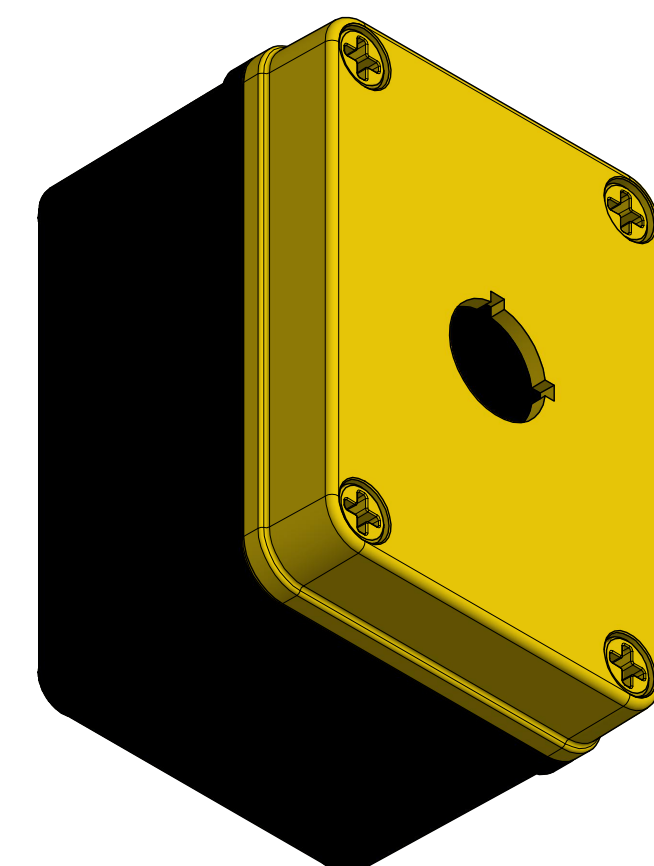


BACK VIEW

2X Ø0.13




BOTTOM VIEW

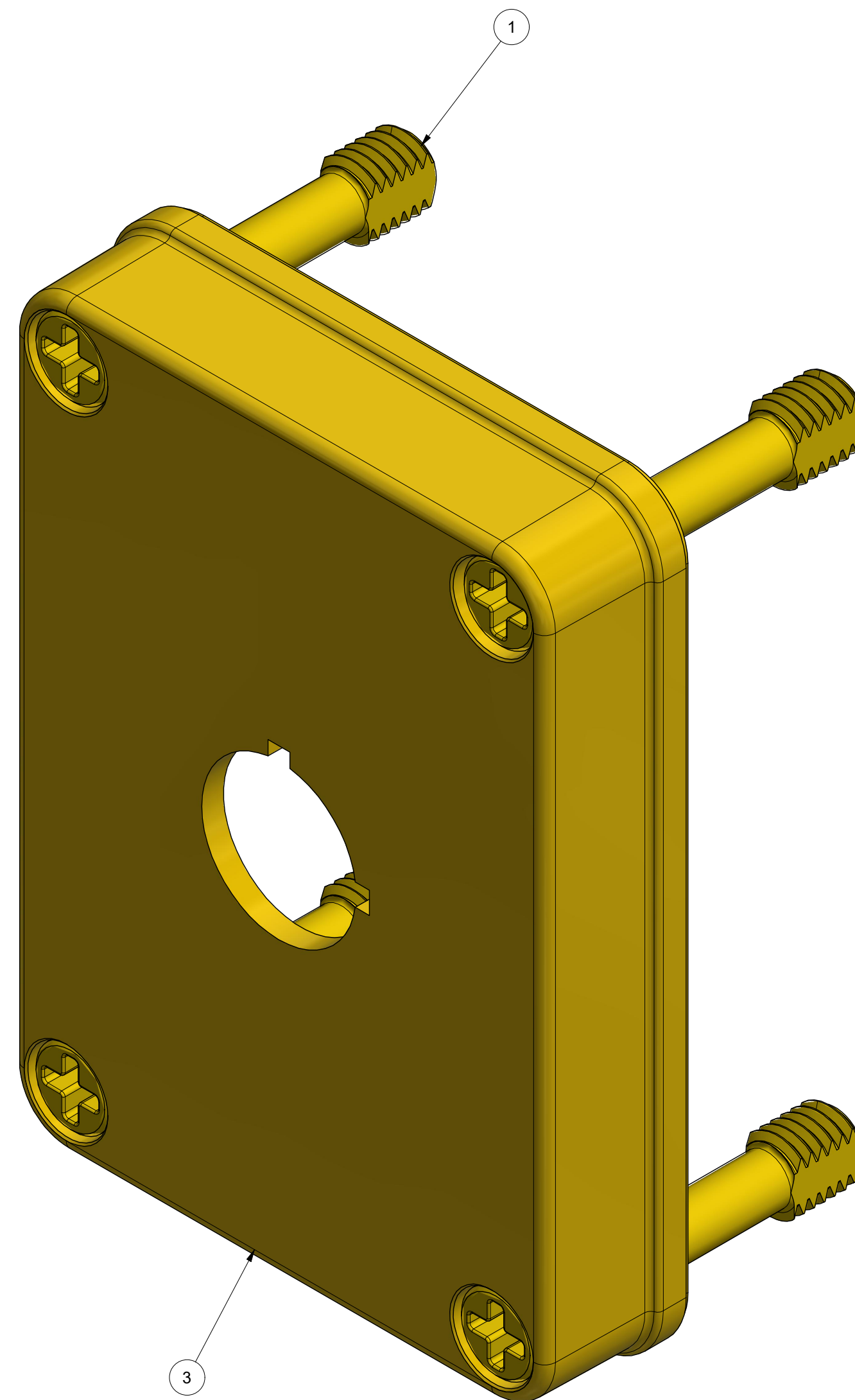
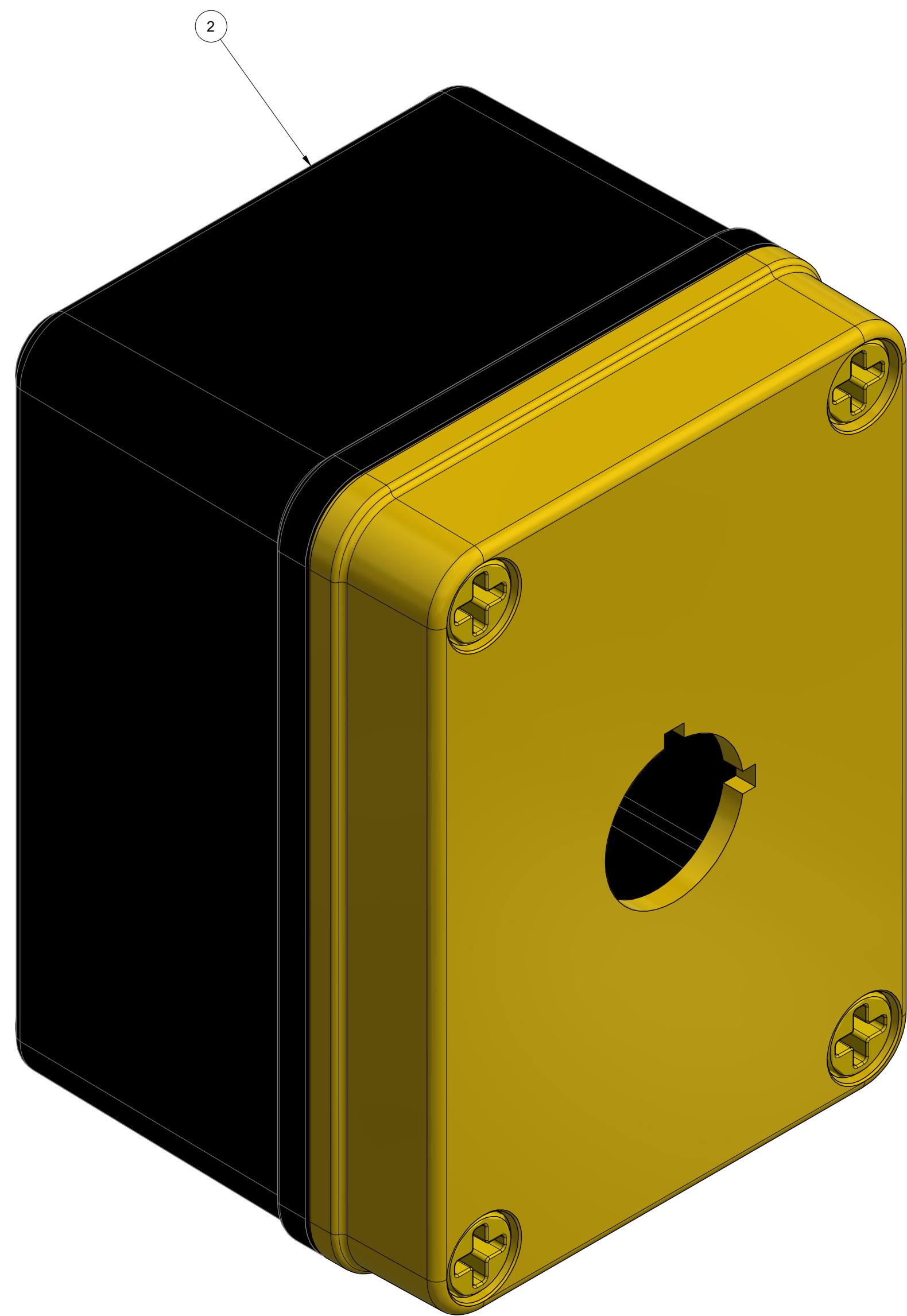


THIS DRAWING IS THE SOLE AND EXCLUSIVE PROPERTY OF ROBROY ENCLOSURES. NO PART OF THIS DRAWING MAY BE REPRODUCED, DISTRIBUTED, OR PUBLICALLY DISPLAYED IN ANY FORM OR BY ANY MEANS WITHOUT THE EXPRESS WRITTEN PERMISSION OF ROBROY ENCLOSURES. ALL RIGHTS RESERVED. UNDER THE COPYRIGHT LAWS. COPYRIGHT © 2021 ROBROY ENCLOSURES

SPECIAL REQUIREMENTS

- END USER NOTES:**
1. TORQUE COVER SCREWS TO 16 IN.-LBS. TO MAINTAIN RATINGS
2. RECOMMEND #10-24 x 1" - IF MOUNTING BOX THROUGH MOUNTING WELLS
- MATERIAL:** POLYCARBONATE
- MOLDING:**
1. BOX SHALL BE MOLDED IN BLACK
2. COVER SHALL BE MOLDED IN YELLOW (YWS70009)
3. COVER SCREW (4X) SHALL BE MOLDED IN YELLOW (YWS70009)
- ASSEMBLY:**
1. TRIM PRODUCT LABEL TO FIT INSIDE BOX

NEMA 250: TYPE 1, 3R, 4X, 6P, 12 IEC 60529: IP66, IP68		STANDARD P/N: YW-COPC1PB22	ALL DIMENSIONS ARE IN INCHES UNLESS OTHERWISE SPECIFIED	TOLERANCES UNLESS SPECIFIED	.XX ± 0.03	.XXX ± 0.010
COLOR: N/A COLOR STANDARD: BLACK / SAFETY YELLOW (W2029)		CUSTOMER DWG: N/A	 <p>AttaBox A ROBROY ENCLOSURES™ BRAND</p> <p>Robroy Enclosures 500 Maple Street Belding, Michigan 48809 Phone: 616-794-0700 Fax: 616-749-3378</p>			
REVISION HISTORY						
REV	DESCRIPTION	DATE	ENG	DRAWN BY: BH DATE: 02/16/21 CUSTOMER: DWG: YW-COPC1PB22		
-	-	-	-	SCALE: DO NOT SCALE DESCRIPTION: STANDARD ENCLOSURE PART NUMBER: ATYW-COPC1PB22		



BOX DETAIL

ITEM	QTY	PART NUMBER	DESCRIPTION
1	1	WPPCSCKIT-YL	4-PACK POLYCARBONATE SCREWS - WPPCPBSCREW-YL (YELLOW)
2	1	WPPC432BOX-BK	4x3x2 POLYCARBONATE BOX (BLACK)
3	1	WPPC1PB22U-YL	WPPC1PB22CVR GASKETED COVER (YELLOW)
4	1	RMLABBLANK3X2	PRODUCT LABEL


THIS DRAWING IS THE SOLE AND EXCLUSIVE PROPERTY OF ROBROY ENCLOSURES. NO PART OF THIS DRAWING MAY BE REPRODUCED, DISTRIBUTED, OR PUBLICALLY DISPLAYED IN ANY FORM OR BY ANY MEANS WITHOUT THE EXPRESS WRITTEN PERMISSION OF ROBROY ENCLOSURES. ALL RIGHTS RESERVED. UNDER THE COPYRIGHT LAWS. COPYRIGHT © 2021 ROBROY ENCLOSURES.

SPECIAL REQUIREMENTS

END USER NOTES:
 1. TORQUE COVER SCREWS TO 16 IN.-LBS. TO MAINTAIN RATINGS
 2. RECOMMEND #10-24 x 1" - IF MOUNTING BOX THROUGH MOUNTING WELLS

MOLDING:
 1. BOX SHALL BE MOLDED IN BLACK
 2. COVER SHALL BE MOLDED IN YELLOW (YWS70009)
 3. COVER SCREW (4X) SHALL BE MOLDED IN YELLOW (YWS70009)

ASSEMBLY:
 1. TRIM PRODUCT LABEL TO FIT INSIDE BOX

NEMA 250: TYPE 1, 3R, 4X, 6P, 12 IEC 60529: IP66, IP68	STANDARD P/N: YW-COPC1PB22	ALL DIMENSIONS ARE IN INCHES UNLESS OTHERWISE SPECIFIED	TOLERANCES UNLESS SPECIFIED .XX ± 0.03 .XXX ± 0.010
COLOR: N/A COLOR STANDARD: BLACK / SAFETY YELLOW (W2029)	CUSTOMER DWG:	 Robroy Enclosures 500 Maple Street Belding, Michigan 48809 Phone: 616-794-0700 Fax: 616-749-3378	
MATERIAL: POLYCARBONATE			
DRAWN BY: BH	DATE: 02/16/21	CUSTOMER:	DWG: YW-COPC1PB22
SCALE: DO NOT SCALE	DESCRIPTION: STANDARD ENCLOSURE	PART NUMBER: ATYW-COPC1PB22	