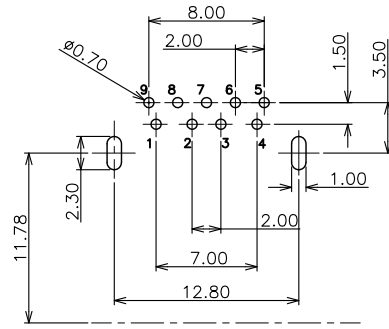
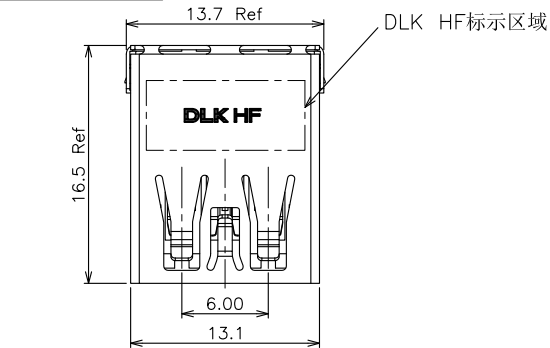
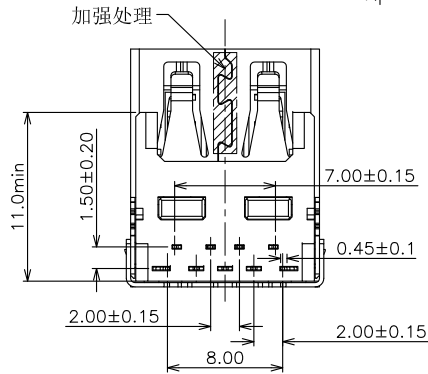
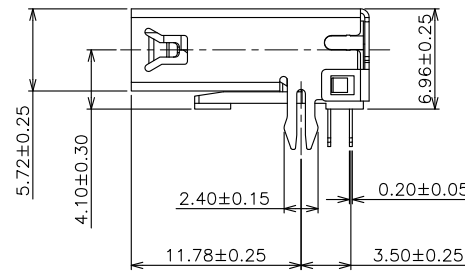
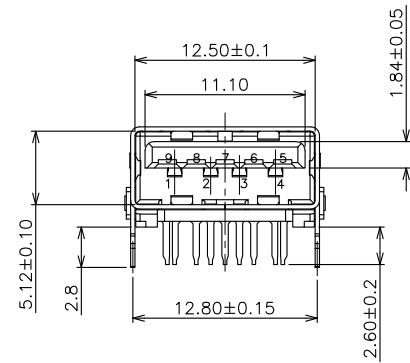


符合"DLK环境管理物质技术标准"

符合USB3.0协会规范标准"



RECOMMENDED PCB LAYOUT  
TOLERANCE: ±0.05mm



NOTE:  
1. MATERIAL:  
1.1 Housing: LCP UL94v-0, color: Blue  
1.2 Contact: Phosphor bronze  
1.3 Shell: Stainless steel  
2. PLATING:  
2.1 Contact: 30u" Au plated on contact Area,50u" Min. Tin plated on solder tail,50u" Min. Nickel underplated  
2.2 Shell: Nickel plated overall  
3. MECHANICAL:  
3.1 Mating force:3.57kgf Max.  
3.2 Unmating force:1.02kgf Min.  
3.3 Durability:1500 cycles Min.  
4. ELECTRICAL:  
4.1 Current Rating:1.5A  
4.2 Voltage Rating:36V  
4.3 Dielectric strength:500V AC FOR 1 minute  
4.4 Insulation Resistance:1000MΩ Min.  
4.5 Contact Resistance:30mΩ Max  
5. Operating Temperature:-55°c to +85°c  
6. PACKING: Tray

工程变更通知单 ECN(DCN) NO.	版本 REV	日期 DATE	说明 DESCRIPTION	变更 CHANGE	核准 APPRO.
KSECN17031	A	20170602	NEW RELEASE	—	—
KSECN21003	B	20200108	增加U3A20D-09BM1YN2HHF(纯黑) $\triangle$ *1	蒋召	覃智森
KSECN23028	C	20230828	修改电镀规格 $\triangle$ *1	蒋召	段国强

4	COVER	1	LCP	UL94V-0
3	CONTACT	9	Phosphor bronze	Au PLATED
2	SHELL	1	Stainless steel	Ni PLATED
1	HOUSING	1	PBT HF $\triangle$	UL94V-0
			LCP	
NO.	ITEM	Q'TY	DESCRIPTION	FINISH

GENERAL TOLERANCE UNLESS OTHERWISE NOTED	
Angle	±5°
X.	±0.35
.X	±0.25
.XX	±0.15
.XXX	±0.10

**德力康电子科技有限公司**  
**DLK DELIKANG ELECTRONICS TECHNOLOGY CO.,LTD**

<b>C</b> 名称 TITLE:		USB 3.0 A/F R/A 6.96H STD.			
档案名称 FILE NAME:		料号 PART NO.:	22009L052H1		
DRAWING	王永辉	CHECKED	—	APPROVED	严成旺
UNIT:	mm	SCALE	1:1	SHEET: 1 of 1	