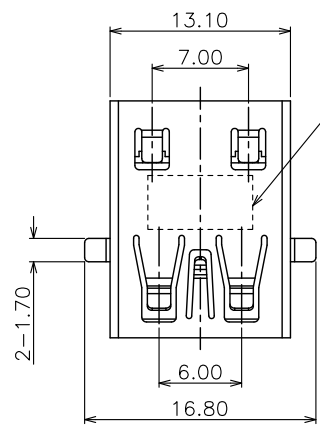


符合"DLK环境管理物质技术标准"

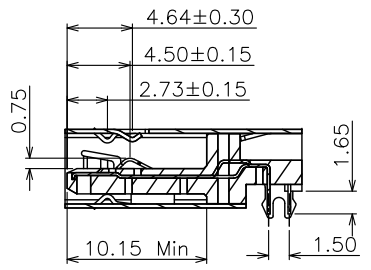
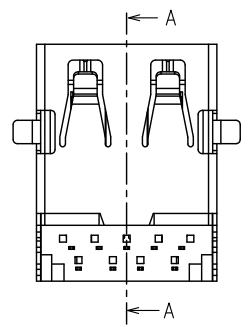
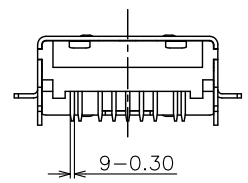
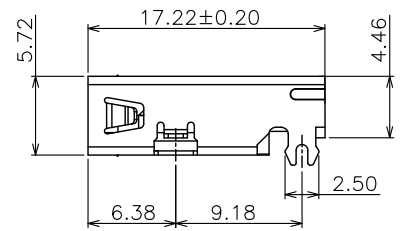
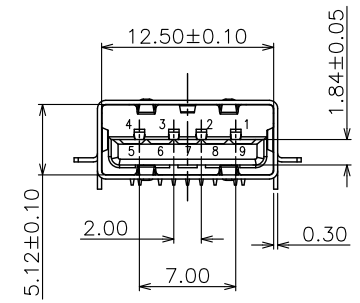
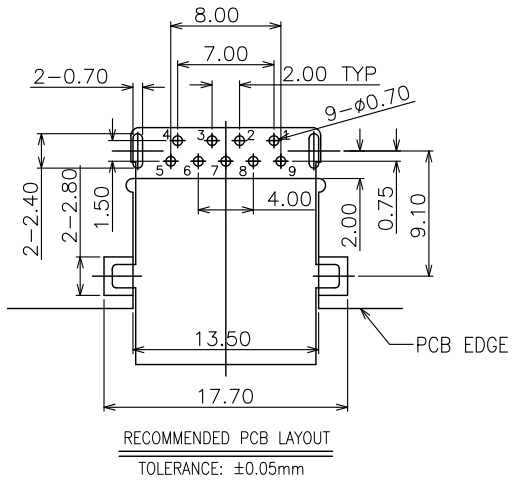
符合USB3.0协会规范标准"

工程变更通知单 ECN(DCN) NO.	版本 REV	日期 DATE	说明 DESCRIPTION	变更 CHANGE	核准 APPRO.
KSECN24006	A	20240314	NEW RELEASE	—	—

- NOTE:
- MATERIAL:
    - Housing: LCP UL94v-0, color: Blue
    - Contact: Copper alloy
    - Shell: Stainless steel
  - PLATING:
    - Contact: 1u" Au plated on contact Area,50u" Min. Matte Tin plated on solder tail,50u" Min. Nickel underplated
    - Shell: Nickel plated overall
  - MECHANICAL:
    - Mating force:3.57kgf Max.
    - Unmating force:1.02kgf Min.
    - Durability:1500 cycles Min.
  - ELECTRICAL:
    - Current Rating:1.5A
    - Voltage Rating:36V
    - Dielectric strength:500V AC FOR 1 minute
    - Insulation Resistance:1000MΩ Min.
    - Contact Resistance:30mΩ Max
  - OPERATING TEMPERATURE: -55°C to +85°C
  - PACKING: Tape & Reel



打DLK LOGO和D/C区域  
D/C说明:  
例如: 2023年10月13日  
则打: DLK 231013



Pin #	SIGNAL NAME	DESCRIPTION	MATING SEQUENCE
1	VBUS	POWER	SECOND
2	D-	USB 2.0 DIFFERENTIAL PAIR	THIRD
3	D+		
4	GND	GROUND FOR POWER RETURN	SECOND
5	StdA_SSRX-	SUPERSPEED RECEIVER DIFFERENTIAL PAIR	LAST
6	StdA_SSRX+		
7	GND_DRAIN	GROUND FOR SIGNAL RETURN	LAST
8	StdA_SSTX-	SUPERSPEED TRANSMITTER DIFFERENTIAL PAIR	
9	StdA_SSTX+		
Shell	Shield	CONNECTOR METAL SHELL	FRIST

**DLK** 德力康电子科技有限公司  
DLK DELIKANG ELECTRONICS TECHNOLOGY CO.,LTD

GENERAL TOLERANCE UNLESS OTHERWISE NOTED	
Angle	±5°
X.	±0.35
.X	±0.25
.XX	±0.15
.XXX	±0.10
A4	

C	名称 TITLE:	USB 3.0 A/F R/A 4.6H RVS.			
	档案名称 FILE NAME:	C-U3A20-3K-HF	料号 PART NO:	22009L013K1	
	DRAWING	覃智森	CHECKED	APPROVED	段国强
	UNIT:	mm	SCALE	1:1	SHEET: 1 of 1

3	CONTACT	9	Copper alloy	Au 1u" PLATED
2	SHELL	1	Stainless steel	Ni PLATED
1	HOUSING	1	LCP	UL94V-0
NO.	ITEM	Q'TY	DESCRIPTION	FINISH