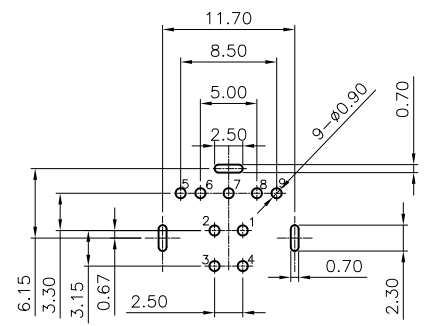
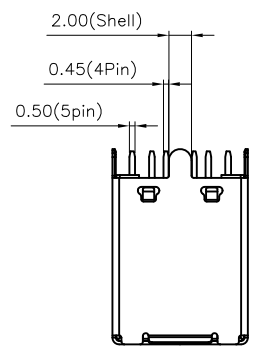


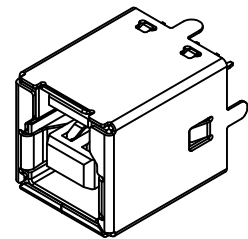
符合"DLK环境管理物质技术标准"

符合USB3.0协会规范标准"

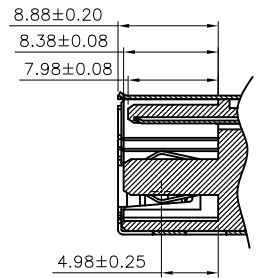
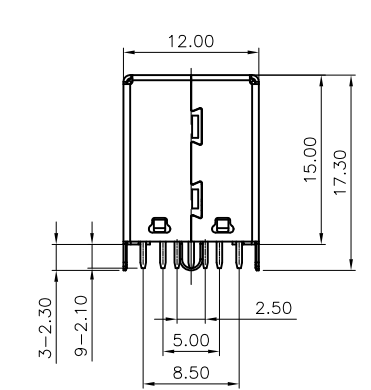
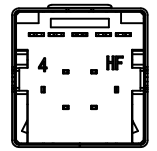
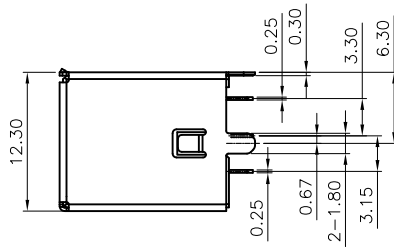
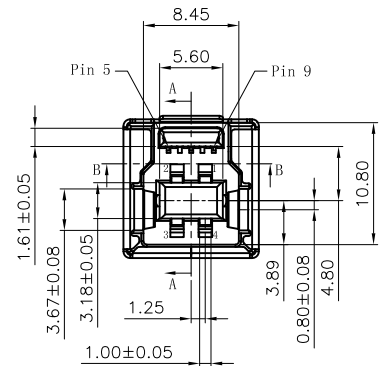
工程变更通知单 ECN(DCN) NO.	版本 REV	日期 DATE	说明 DESCRIPTION	变更 CHANGE	核准 APPRO.
KSECN22046	A	20221024	NEW RELEASE	—	—



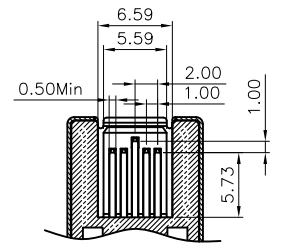
RECOMMENDED PCB LAYOUT
TOLERANCE: ±0.05mm



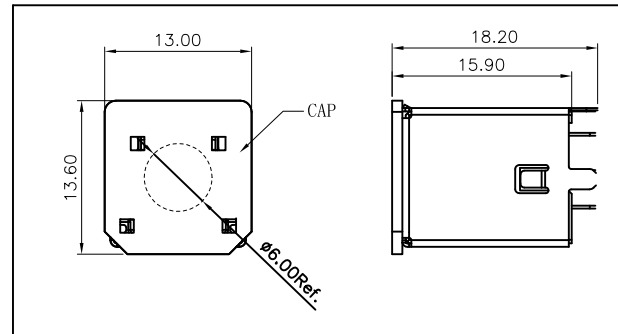
NOTE:
1. MATERIAL:
1.1 Housing: PA9T HF/LCP UL94v-0, color: Black
1.2 Contact: Copper Alloy
1.3 Shell: Stainless steel
2. PLATING:
2.1 Contact: 1u" Au plated on contact Area,50u" Min. Matte Tin plated on solder tail,50u" Min. Nickel underplated
2.2 Shell: Nickel plated overall
3. MECHANICAL:
3.1 Mating force:3.57kgf Max.
3.2 Unmating force:1.02kgf Min.
3.3 Durability:1500 cycles Min.
4 ELECTRICAL:
4.1 Current Rating:1.5A
4.2 Voltage Rating:36V
4.3 Dielectric strength:500V AC FOR 1 minute
4.4 Insulation Resistance:1000MΩ Min.
4.5 Contact Resistance:30mΩ Max
5. Operating Temperature:-55°c to +85°c
6. PACKING: Tray



SECTION A-A



SECTION B-B



DLK 德力康电子科技有限公司
DELIKANG ELECTRONICS TECHNOLOGY CO.,LTD

GENERAL TOLERANCE UNLESS OTHERWISE NOTED	
Angle	±5°
X.	±0.35
.X	±0.25
.XX	±0.15
.XXX	±0.10
A4	

C 名称 TITLE:	USB3.2(10G) 180度 B/F H=15.00mm			
档案名称 FILE NAME.	C-U3B23-00-0B	料号 PART NO.:	32309B012B1	
DRAWING	蒋召	CHECKED	覃智森	APPROVED 段国强
UNIT:	mm	SCALE	1:1	SHEET: 1 of 1