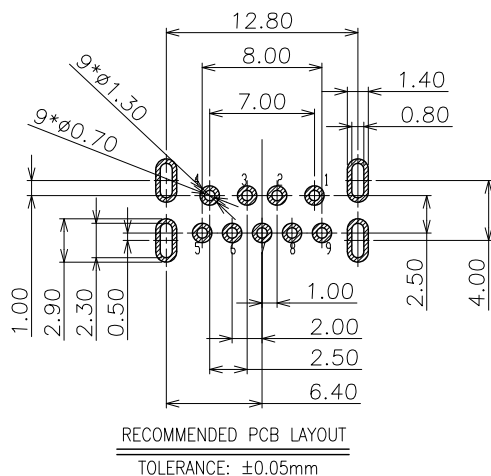
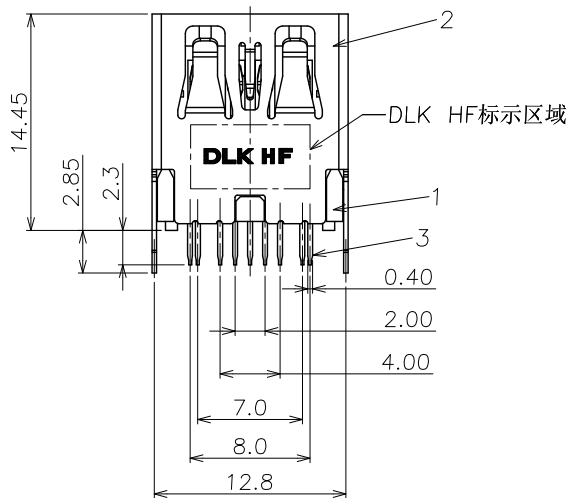
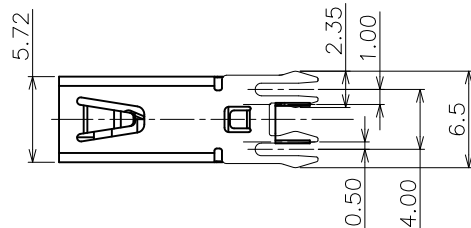
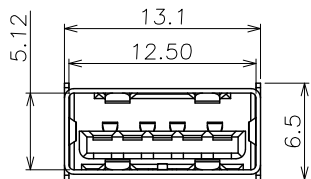


符合"DLK环境管理物质技术标准"

符合USB3.0协会规范标准"

工程变更通知单 ECN(DCN) NO.	版本 REV	日期 DATE	说明 DESCRIPTION	变更 CHANGE	核准 APPRO.
KSECN20004	A	20200312	NEW RELEASE	—	—
—	B	20211022	依客户要求将直脚改为鱼叉脚	王永辉	严成旺



NOTE:

1. MATERIAL.

1.1 Housing: LCP UL94v-0, color: Black

1.2 Contact: Phosphor bronze

1.3 Shell: Stainless steel

2. PLATING:

2.1 Contact: 1u" Au plated on contact Area,50u" Min. Matte Tin plated on solder tail,50u" Min. Nickel underplated

2.2 Shell: Nickel plated overall

3. MECHANICAL:

3.1 Mating force:3.57kgf Max.

3.2 Unmating force:1.02kgf Min.

3.3 Durability:1500 cycles Min.

4. ELECTRICAL:

4.1 Current Rating:1.5A

4.2 Voltage Rating:36V


4.3 Dielectric strength:500V AC FOR 1 minute

4.4 Insulation Resistance:1000MΩ Min.

4.5 Contact Resistance:30mΩ Max

5. Operating Temperature:-55°C to +85°C

6. PACKING: Tray

 德力康电子科技有限公司

DLK DELIKANG ELECTRONICS TECHNOLOGY CO.,LTD

GENERAL TOLERANCE UNLESS OTHERWISE NOTED	
Angle	±5'
X.	±0.35
.X	±0.25
.XX	±0.15
.XXX	±0.10

C	名称 TITLE:	USB 3.0 A/F V/T 14.45H STD.			
	档案名称 FILE NAME.	C-U3A27-HF-0D	料号 PART NO.:	22709B012D1	
	DRAWING	王永辉	CHECKED	APPROVED	严成旺
	UNIT:	mm	SCALE	1:1	SHEET: 1 of 1

NO.	ITEM	Q'TY	DESCRIPTION	FINISH
3	CONTACT	9	Phosphor bronze	Au PLATED
2	SHELL	1	Stainless steel	Ni PLATED
1	HOUSING	1	LCP	UL94V-0