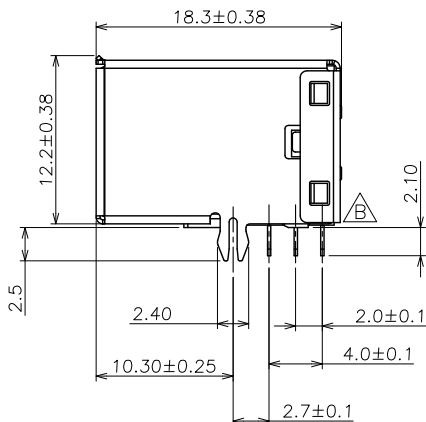
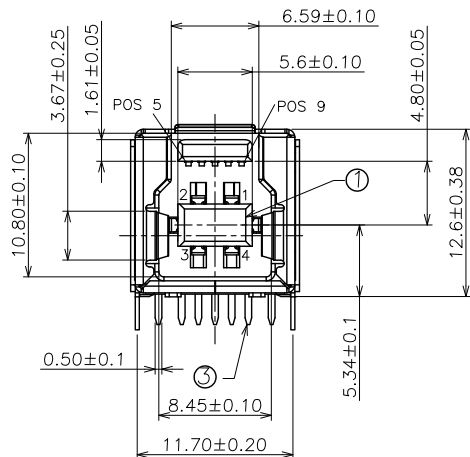
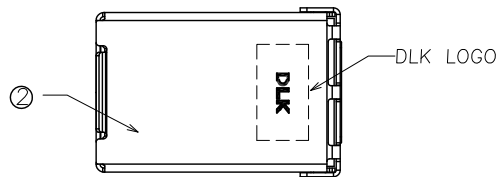


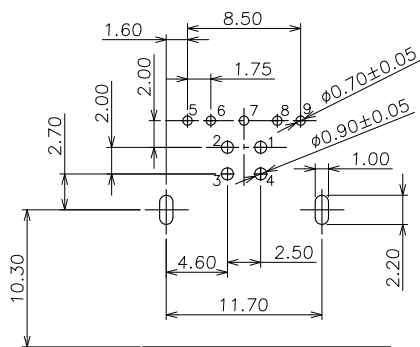
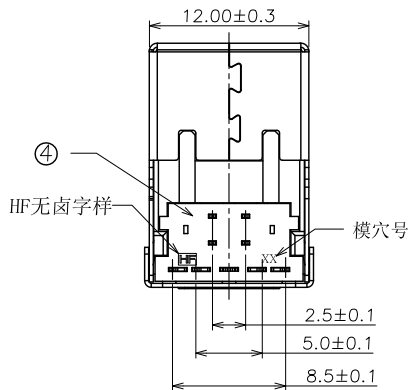
符合"DLK环境管理物质技术标准"

符合USB3.0协会规范标准"

工程变更通知单 ECN(DCN) NO.	版本 REV	日期 DATE	说明 DESCRIPTION	变更 CHANGE	核准 APPRO.
KSECN16032	A	20160523	NEW RELEASE	—	—
KSECN20016	B	20200423	1. 产品外壳材质由C2680改为SUS430 2. 后盖凸台取消	△*2	王永辉 严成旺



NOTE:
 1. MATERIAL:
 1.1 Housing: PA9T HF/PBT UL94v-0, color: Blue
 1.2 Contact: Copper Alloy
 1.3 Shell: Stainless steel
 2. PLATING:
 2.1 Contact: 30u" Au plated on contact Area,50u" Min. Matte Tin plated on solder tail,50u" Min. Nickel underplated
 2.2 Shell: Nickel plated overall
 3. MECHANICAL:
 3.1 Mating force:3.57kgf Max.
 3.2 Unmating force:1.02kgf Min.
 3.3 Durability:1500 cycles Min.
 4. ELECTRICAL:
 4.1 Current Rating:1.5A
 4.2 Voltage Rating:36V
 4.3 Dielectric strength:500V AC FOR 1 minute
 4.4 Insulation Resistance:1000MΩ Min.
 4.5 Contact Resistance:30mΩ Max
 5. Operating Temperature:-55°c to +85°c
 6. PACKING: Tray



RECOMMENDED PCB LAYOUT
 TOLERANCE: ±0.05mm

德力康电子科技有限公司
DLK DELIKANG ELECTRONICS TECHNOLOGY CO.,LTD

NO.	ITEM	Q'TY	DESCRIPTION	FINISH
4	COVER	1	PBT/PA9T 无卤	UL94V-0 BLUE
3	CONTACT	9	Copper Alloy	Au PLATED
2	SHELL	1	Stainless steel △	Ni PLATED
1	HOUSING	1	PBT/PA9T 无卤	UL94V-0 BLUE

GENERAL TOLERANCE
 UNLESS OTHERWISE NOTED

Angle	±5°
X.	±0.35
.X	±0.25
.XX	±0.15
.XXX	±0.10

C 名称 TITLE:	USB 3.0 BF DIP 12.6H PIN长2.1 蓝色			
档案名称 FILE NAME.	C-U3B22-00-01	料号 PART NO.:	32209L05211	
DRAWING	王永辉	CHECKED	—	APPROVED 严成旺
UNIT:	mm	SCALE	1:1	SHEET: 1 of 1